

SFP-25GB-DW-C-15-I-AO

MSA and TAA 10/25GBase-DWDM SFP28 Transceiver Dual-Rate 100GHz (SMF, Tunable, 15km, LC, DOM, -40 to 85C)

Features

- SFF-8402 and SFF-8690 Compliant
- 100GHz Channel Spacing
- Duplex LC Connector
- Industrial Temperature -40 to 85 Celsius
- Single-mode Fiber
- Supports 9.8Gb/s to 25.78Gb/s
- Excellent ESD Protection
- Hot Pluggable
- RoHS Compliant and Lead Free
- Metal with Lower EMI



Applications

- 25GBase
- Access, Metro and Enterprise

Product Description

This MSA Compliant SFP28 transceiver provides 10/25GBase-DWDM throughput up to 15km over single-mode fiber (SMF) using a tunable wavelength via an LC connector. It is built to MSA standards and is uniquely serialized and data-traffic and application tested to ensure that they will integrate into your network seamlessly. Digital optical monitoring (DOM) support is also present to allow access to real-time operating parameters. This transceiver is Trade Agreements Act (TAA) compliant. We stand behind the quality of our products and proudly offer a limited lifetime warranty.

AddOn's transceivers are RoHS compliant and lead-free.

TAA refers to the Trade Agreements Act (19 U.S.C. & 2501-2581), which is intended to foster fair and open international trade. TAA requires that the U.S. Government may acquire only "U.S. – made or designated country end products."



Regulatory Compliance

- ESD to the Electrical PINs: compatible with MIL-STD-883E Method 3015.4.
- ESD to the LC Receptacle: compatible with IEC 61000-4-3.
- EMI/EMC: compatible with FCC Part 15 Subpart B Rules, EN55022:2010.
- Laser Eye Safety: compatible with FDA 21CFR, EN60950-1& EN (IEC) 60825-1, 2.
- RoHS: compliant with EU RoHS 2.0 directive 2015/863/EU.

DWDM Wavelength ITU Channels - 100 GHz Spacing

ITU Channel	Center Wavelength (nm)	Frequency (THz)	ITU Channel	Center Wavelength (nm)	Frequency (THz)
14	1566.31	191.4	38	1546.92	193.8
15	1565.50	191.5	39	1546.12	193.9
16	1564.68	191.6	40	1545.32	194.0
17	1563.86	191.7	41	1544.53	194.1
18	1563.05	191.8	42	1543.73	194.2
19	1562.23	191.9	43	1542.94	194.3
20	1561.42	192.0	44	1542.14	194.4
21	1560.61	192.1	45	1541.35	194.5
22	1559.79	192.2	46	1540.56	194.6
23	1558.98	192.3	47	1539.77	194.7
24	1558.17	192.4	48	1538.98	194.8
25	1557.36	192.5	49	1538.19	194.9
26	1556.55	192.6	50	1537.4	195.0
27	1555.75	192.7	51	1536.61	195.1
28	1554.94	192.8	52	1535.82	195.2
29	1554.13	192.9	53	1535.04	195.3
30	1553.33	193.0	54	1534.25	195.4
31	1552.52	193.1	55	1533.47	195.5
32	1551.72	193.2	56	1532.68	195.6
33	1550.92	193.3	57	1531.9	195.7
34	1550.12	193.4	58	1531.12	195.8
35	1549.32	193.5	59	1530.33	195.9
36	1548.51	193.6	60	1529.55	196.0
37	1547.72	193.7	61	1528.77	196.1

Absolute Maximum Ratings

Parameter	Symbol	Min.	Typ.	Max.	Unit	Notes
Maximum Supply Voltage	Vcc	0		4	V	
Storage Temperature	Tstg	-40		85	°C	
Operating Case Temperature	Tc	-40		85	°C	
Ambient Humidity	RH	5		95	%	w/o dew
Data Rate	DR ₂₅	24.3		25.78	Gbps	
	DR ₁₀	9.8	10.3	12.5	Gbps	
Receiver Damage Threshold	THd	3			dBm	

Electrical Characteristics

Parameter	Symbol	Min.	Typ.	Max.	Unit	Notes	
Power Supply Voltage	Vcc	+3.135	+3.3	+3.465	V		
Power Dissipation	P _{DISS}			2.5	W	1	
Power Supply Noise Tolerance	PSNT			66	mVp-p	2	
Transmitter							
Data Rate	DR ₂₅	24.3		25.78	Gbps	RS1 High Logic	
	DR ₁₀	9.8	10.3	12.5	Gbps	RS1 Low Logic	
Differential Input Voltage	VIN	190		700	mV	AC Coupled	
Differential Input Impedance	ZIN	90	100	110	Ω		
Tx_Disable	Input_Low	VIL	-0.3		0.8	V	3
	Input_High	VIH	2.0		Vcc+0.3	V	3
	Assert Time	tOFF			100	us	High
	Negate Time	tON			2.0	ms	Low
Tx_Disable to Start Reset	tReset	10			us	High	
Time to Initialize	tInit			90	s	4	
Tx_Fault	Output_Low	VFOL	-0.3		0.4	V	LVTTTL - Low is Normal
	Output_High	IFOH	-50		37.5	uA	
RS1 (Rate Select for Tx)	VIL	-0.3		0.8	V	Internally pulled down	
	VIH	2.0		Vcc+0.3	V		
Receiver							
Data Rate	DR ₂₅	24.3		25.78	Gbps	RS0 High Logic	
	DR ₁₀	9.8	10.3	12.5	Gbps	RS0 Low Logic	
Differential Output Voltage	VOUT	300		850	mV	AC Coupled	
Differential Output Impedance	ZOUT	90	100	110	Ω		

Rx_LOS (Loss of Signal)	Output_Low	V_{LOS_L}	-0.3		0.4	V	LVTTL - Low is Normal
	Output_High	I_{LOS_H}	-50		37.5	uA	
	Assert Time	t_{LOS-ON}			100	us	High@S
	De-Assert Time	$t_{LOS-OFF}$			100	us	Low@S
RS0 (Rate Select for Rx)		VIL	-0.3		0.8	V	Internally pulled down
		VIH	2		Vcc+0.3	V	

Notes:

1. Conditions: @3.3V and -40°C to 85°C.
2. From 10Hz to 10MHz.
3. LVTTL – “Low” at normal operation and “High” at shutdown (Poff).
4. Including reset of Tx_Fault.

Optical Characteristics

Parameter	Symbol	Min.	Typ.	Max.	Unit	Notes	
Transmitter							
Average Launch Power	P_{avg}	-1.0		+3.0	dBm		
Optical Power Flatness	ΔPO	-1.0		+1.0	dB	All Channels	
Transmitter Disabled Power	Poff			-30	dBm	@Tx_Disable is High	
Optical Center Wavelength	λ_C	1528.77		1566.31	nm	1	
Optical Center Frequency		191.40		196.10	THz	1	
Center Wavelength Spacing		100			GHz	1	
Wavelength Stability	Beginning of Life	λ_{p_BOL}	-1.7	λ_C	+1.7	GHz	2
	End of Life	λ_{p_EOL}	-2.5	λ_C	+2.5	GHz	2
Wavelength Tuning Speed	T_{TUNE}			30	ms	3	
Spectral Width	σ			0.5	nm	@-20dB	
Side-Mode Suppression Ratio	SMSR	30			dB		
Extinction Ratio	ER	8.0			dB	PRBS 2 ³¹ -1	
Relative Intensity Noise	RIN_{20OMA}			-130.0	dB/Hz		
Optical Return Loss Tolerance	ORLT			20.0	dB		
Transmitter Reflectance				-26.0	dB		
Optical Eye Mask		IEEE 802.3cc 114.6 25GBASE- LR/ER {X1, X2, X3, Y1, Y2, Y3} = {0.31, 0.40, 0.45, 0.34, 0.38, 0.40}					Hit ratio 5E ⁻⁵

Receiver							
Optical Sensitivity	25.78Gbps or 24.33Gbps	S1			-19.0		4
	10.7Gbps, 10.3Gbps, 9.8Gbps	S2			-19.0		5
	11.3 - 11.1Gbps	S3			-19.0		6
Optical Overload			-4.0			dBm	7
Operating Wavelength		λ	1525		1575	nm	
Rx_LOS (Loss of Signal)	Assert	LOSA	-30.0			dBm	Rx Squelch Activated
	De-Assert	LOSD			-23.0	dBm	
	Hysteresis	LOSH	0.5		5.0	dB	
Return Loss of Receiver					-26.0	dB	
Auxiliary Management and Control Channel							
Bit Rate		BR _{AMCC}		1200		bps	
Modulation Depth		AMCC _{MD}	5		10	%	
Dynamic Range		DR _{AMCC}	-4		-24	dBm	8

Notes:

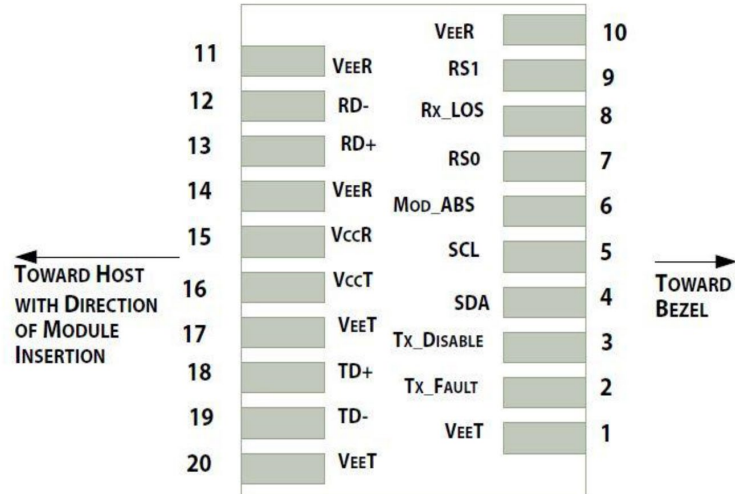
1. ITU-T 694.1 Grid Wavelength.
2. λ_C = ITU Grid Wavelength.
3. From any CH to any other CH. ASP Disable.
4. PRBS 2^{31} , BER 5×10^{-5} , Source ER=8.0dB, SMF 15km, G.652.
5. PRBS 2^{31} , BER 5×10^{-12} , Source ER=8.0dB, SMF 15km, G.652.
6. PRBS 2^{31} , BER 1×10^{-4} , Source ER=8.0dB, SMF 15km, G.652.
7. PRBS 2^{31} , Source ER=8.0dB.
8. AMCC_{MD} : 5%, 1200bps.

Pin Descriptions

Pin	Symbol	Name	Ref.
1	VeeT	Transmitter Ground.	1
2	Tx_Fault	Transmitter Fault Indication.	
3	Tx_Disable	Disables the transmitter or laser output.	2
4	SDA	2-Wire Serial Interface Data.	2
5	SCL	2-Wire Serial Interface Clock.	2
6	Mod_ABS	Indicates the module online state. This pin is connected to the VeeT or VeeR pin.	
7	RS0	Selects a rate for the module. This pin is connected to the 33kΩ resistor.	
8	LOS	Indicates a loss of received signals.	2
9	RS1	Selects a rate for the module. This pin is connected to the 33kΩ resistor.	
10	VeeR	Receiver Ground.	1
11	VeeR	Receiver Ground 1.	1
12	RD-	Inverse Received Data Output.	
13	RD+	Received Data Output.	
14	VeeR	Receiver Ground.	1
15	VccR	+3.3V Receiver Power.	1
16	VccT	+3.3V Transmitter Power.	1
17	VeeT	Transmitter Ground.	1
18	TD+	Transmit Data Input.	
19	TD-	Inverse Transmit Data Input.	
20	VeeT	Transmitter Ground.	1

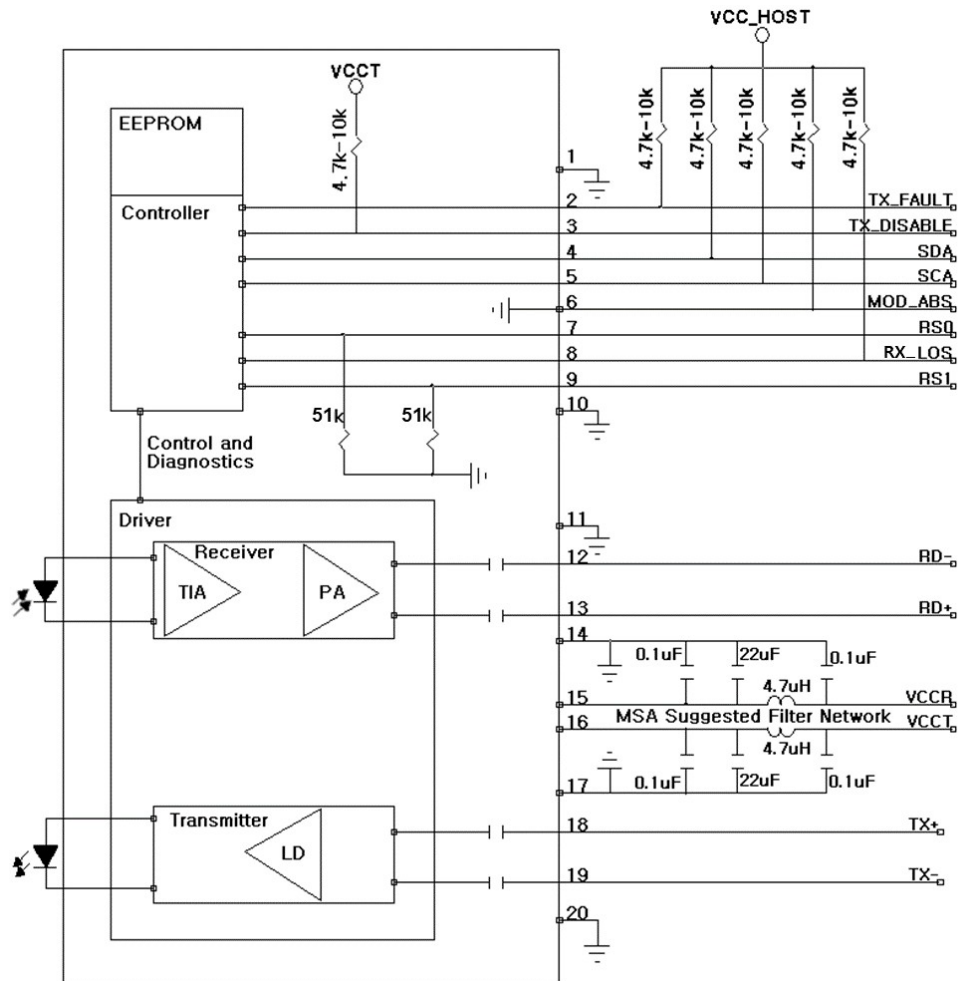
Notes:

1. The ground of the module (operating module ground) and that of the module shell are separate from each other.
2. 4.7kΩ–10kΩ resistor is used on the module to pull the output up to 3.15–3.45V.



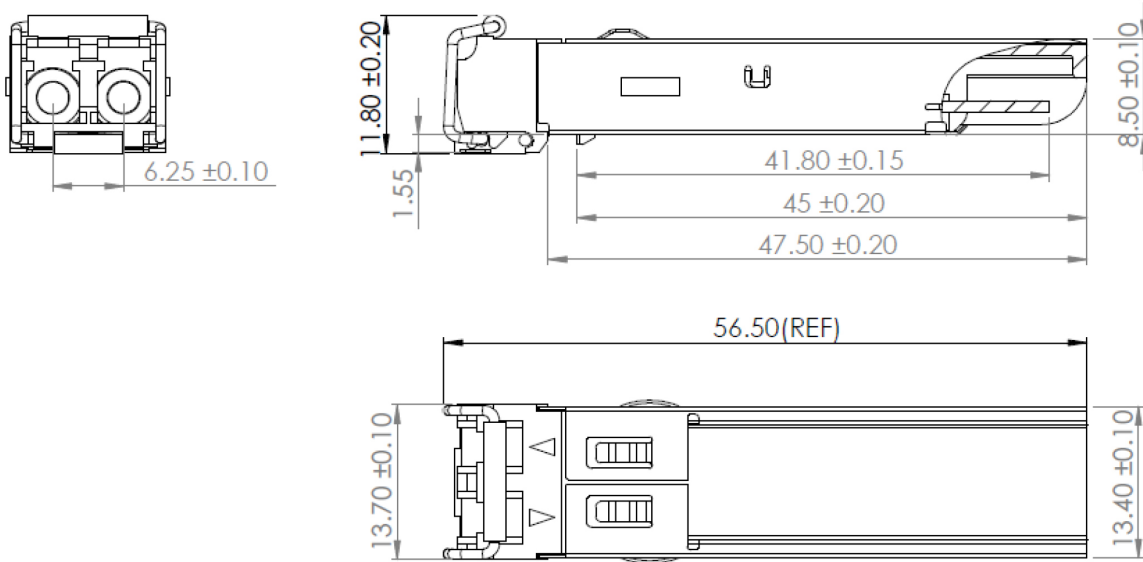
Pin-Out of Connector Block on the Host Board

Recommended Circuit Schematic



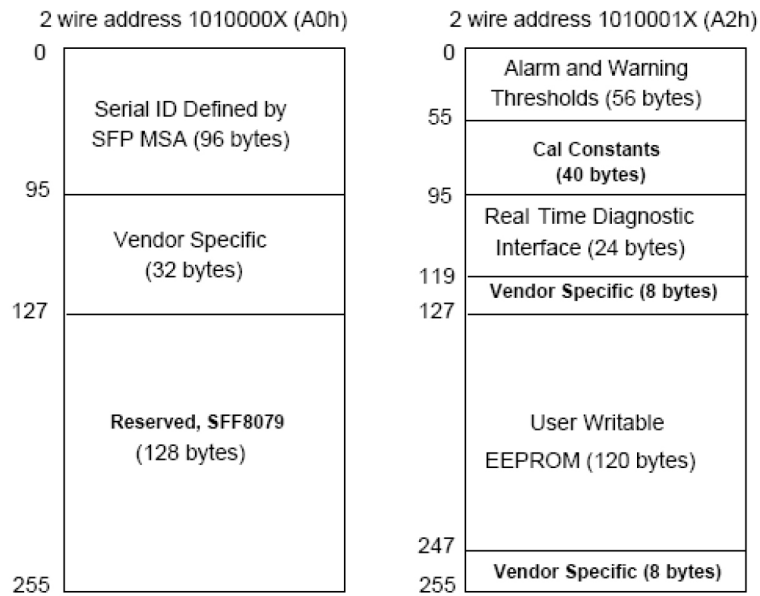
Mechanical Specifications

Small Form Factor Pluggable (SFP) transceivers are compatible with the dimensions defined by the SFP Multi-Sourcing Agreement (MSA).



EEPROM Information

EEPROM memory map-specific data field description is as below:



About AddOn Networks

In 1999, AddOn Networks entered the market with a single product. Our founders fulfilled a severe shortage for compatible, cost-effective optical transceivers that compete at the same performance levels as leading OEM manufacturers. Adhering to the idea of redefining service and product quality not previously had in the fiber optic networking industry, AddOn invested resources in solution design, production, fulfillment, and global support.

Combining one of the most extensive and stringent testing processes in the industry, an exceptional free tech support center, and a consistent roll-out of innovative technologies, AddOn has continually set industry standards of quality and reliability throughout its history.

Reliability is the cornerstone of any optical fiber network and is engrained in AddOn's DNA. It has played a key role in nurturing the long-term relationships developed over the years with customers. AddOn remains committed to exceeding industry standards with certifications from ranging from NEBS Level 3 to ISO 9001:2005 with every new development while maintaining the signature reliability of its products.

U.S. Headquarters

Email: sales@addonnetworks.com

Telephone: +1 877.292.1701

Fax: 949.266.9273

Europe Headquarters

Email: salesupportemea@addonnetworks.com

Telephone: +44 1285 842070