

 compulocks for **SAMSUNG**

**Display.  
Secure.  
Work Smarter.**

Catalog 2023



# About us

Compulocks is the leading design manufacturer of IT hardware security and tablet display solutions for businesses and across industries.

With an in-house R&D team and an understanding of every work environment's needs, we provide our customers with high end customer specific products that elevate their work, operations, and communications.



## Quality Assurance

Durable materials for long term usage



## Security Experts

Creating security solutions for over 10 years



## International Service

Operation in North America and Europe serving the world

# 500

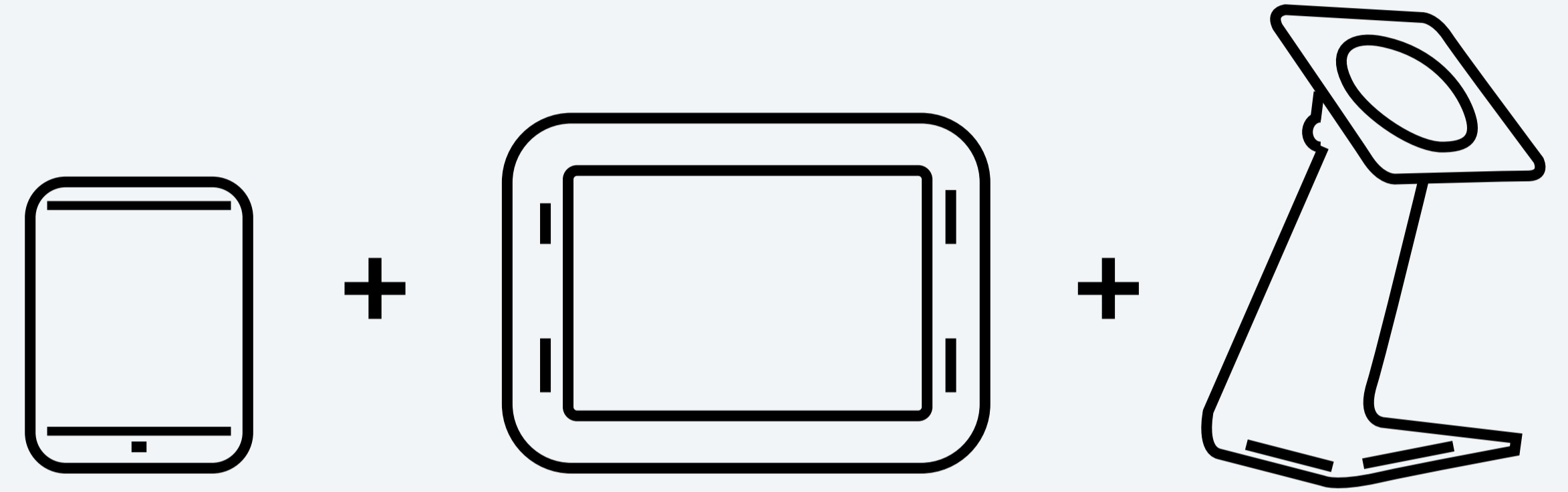
## Fortune 500

Chosen by companies from start-up to Fortune 500



## I'm looking for...

- 06 [Wall Displays >](#)
- 07 [Counter Stands >](#)
- 08 [Floor Stands >](#)
- 09 [Rolling Stands >](#)
- 10 [Other Mounts >](#)
- 11 [Ergonomic Solutions >](#)
- 12 [Locks >](#)
- 13 [Protective Solutions >](#)
- 13 [Custom Solutions >](#)



**Salespeople report that cross-selling generates upto 30% more revenue\***

---

\*Source: Hubspot Blog

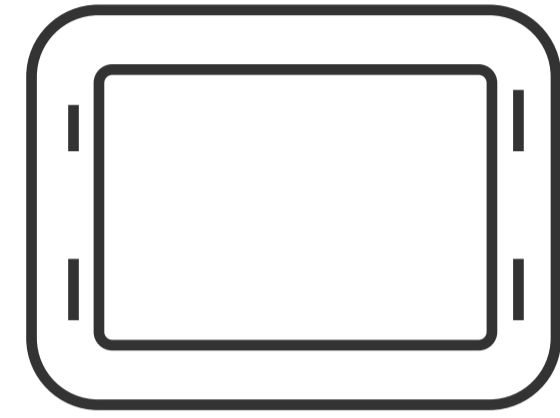


**In 2023 our focus is on the future. With our design and engineering experience we are committed to improving the ways people work. We'll be launching new products that enhance connectivity and enable the advances in technology to benefit every workplace.**

# How do you want to mount your tablet?

All of Compulocks' tablet holders can be paired with any of our floor, wall, or counter displays to fit every Galaxy Tab and use case

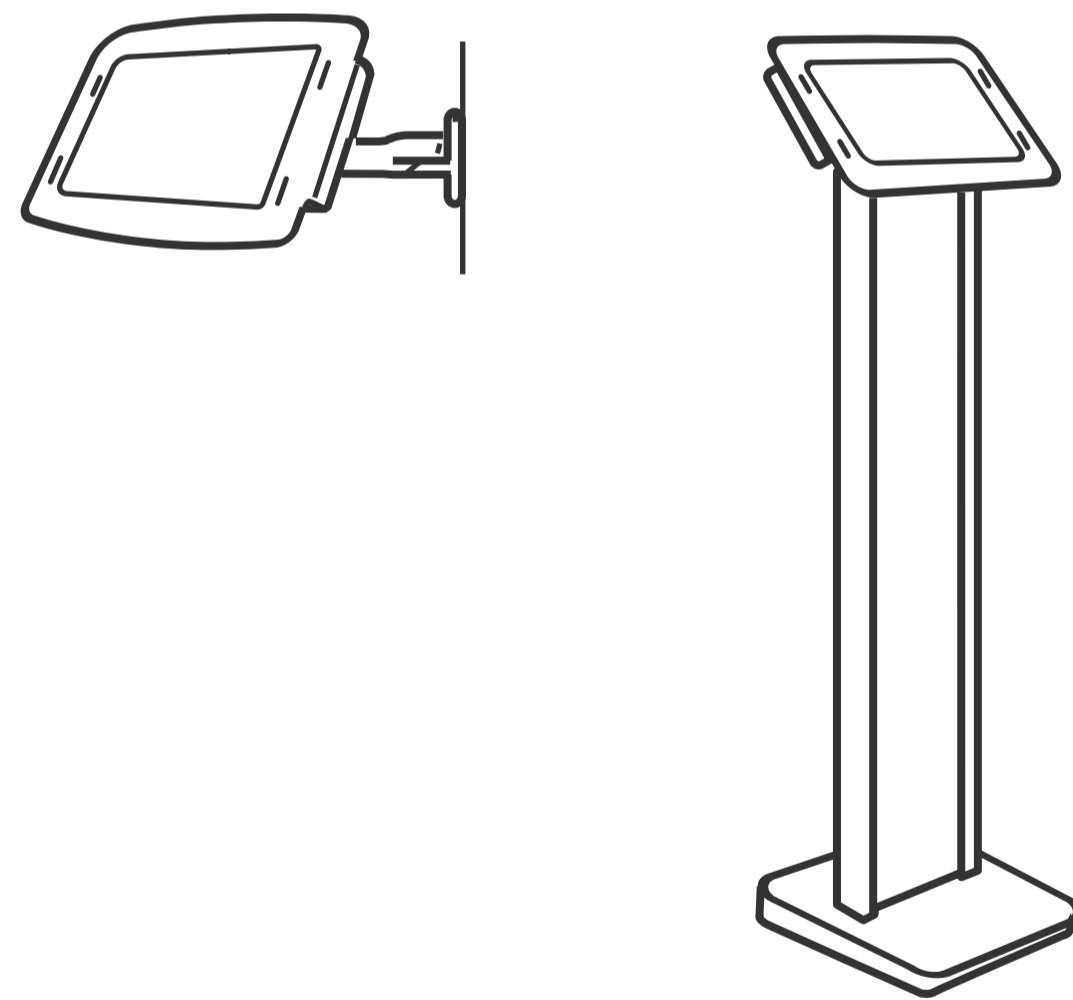
Compulocks allows you to create your best combination, here are a few examples



## Space

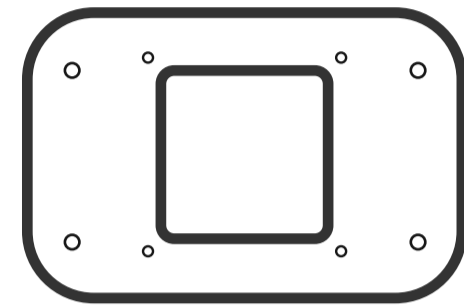
Swing Arm

BrandMe Floor Stand



Enclosed  
Secured with key  
Stylish design

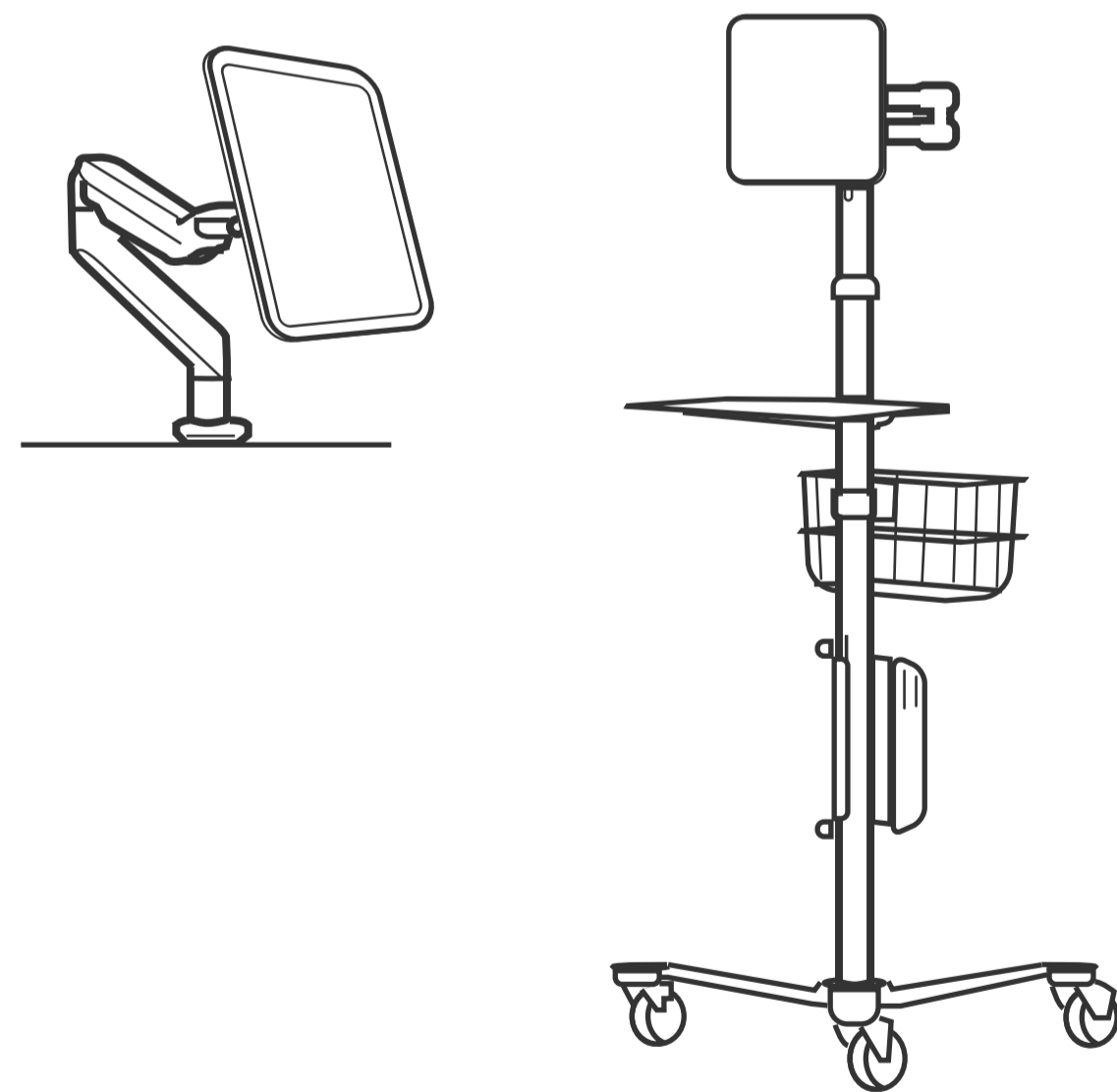
[Learn More](#)



## Invisible mount

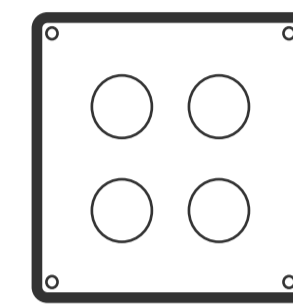
Reach Arm

Rise Freedom



Universal  
Low profile  
Easily removable

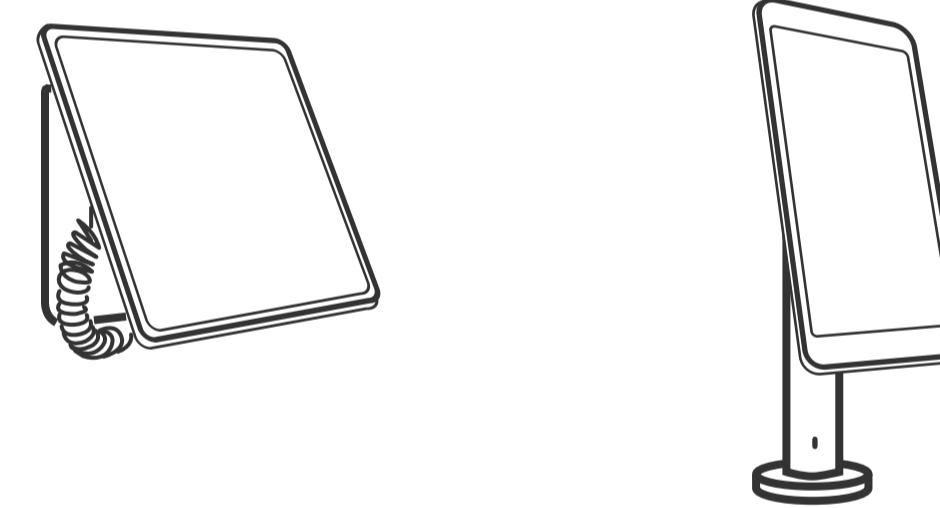
[Learn More](#)



## Magnetix

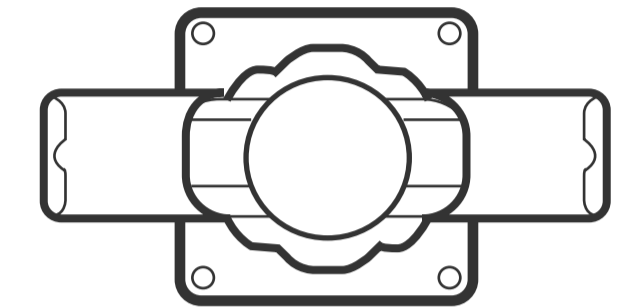
AV Capsule Stand

Rise Stand



Universal  
Allows mobility  
Snap on/off

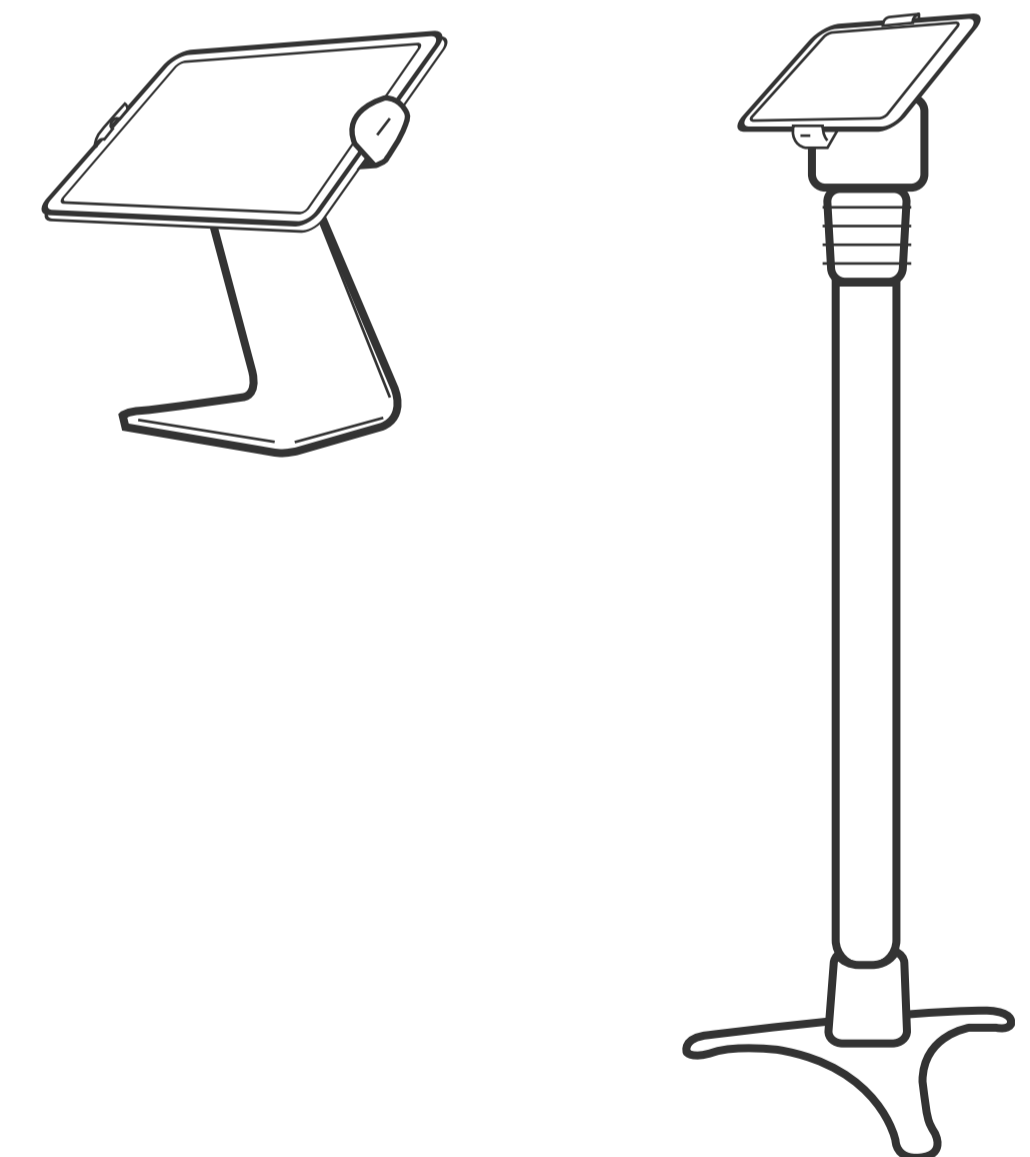
[Learn More](#)



## Cling

360 Stand

Adjustable Stand



Universal  
Portrait/Landscape orientation  
Intuitive design

[Learn More](#)

# Wall Displays

Compulocks' wall displays are compatible with a variety of Galaxy Tab devices.



Portrait or Landscape orientation

## Space Enclosure

Compatible

SAMSUNG Galaxy Tab

100x100mm VESA Mount

- High-grade aluminium enclosure with rounded edges
- Designed for improved ventilation
- Conceals charging cable
- Quick keyed access

[Learn More >](#)



## Magnetix Wall Mount

100x100mm VESA Mount

- Universal mount system for all Galaxy Tabs
- For Displays and Handheld use, cable lock secured
- Easily switch between landscape and portrait orientations

[Learn More >](#)



## Invisible Swing Wall Mount

100x100mm VESA Mount

- Universal, compatible with any Galaxy Tab with min. 8" x 5" flat fixing area
- Tilt, pan, and swing for multiple display angles
- Industrial strength adhesive

[Learn More >](#)



## Cling Wall Mount

Compatible

SAMSUNG Galaxy Tab

100x100mm VESA Mount

- Universal, compatible with Galaxy Tabs 7"-13", Max thickness: 9.3mm
- Rotates between portrait and landscape orientations
- Tamper proof design
- Secure cable management

[Learn More >](#)



## Space Enclosure Swing Wall Mount Best Seller

100x100mm VESA Mount

- Conceals charging cable
- High-grade aluminum enclosure
- Quick lock and unlock keyed lock
- Tilt, pan, and swing for multiple display angles

[Learn More >](#)

# Counter Stands



## Space Enclosure Fixed 45 Stand

Best Seller

100x100mm  
VESA Mount

75x75mm  
VESA Mount

- High-grade aluminium stand
- Enclosure can be set in landscape or portrait orientation
- Wall or countertop mountable

[Learn More >](#)



## Space Enclosure Rotating Stand

Best Seller

100x100mm  
VESA Mount

- 90° screen rotation
- Full reverse screen tilt
- Weight balanced base
- Customer-oriented design

[Learn More >](#)



## HoverTab Lock Stand

Best Seller

- Universal Galaxy Tab stand
- Portrait or landscape orientation
- Key lock for easy removal
- 60° table top, 30° wall mounted viewing angle

[Learn More >](#)



## Invisible Mount Rise Stand

100x100mm  
VESA Mount

75x75mm  
VESA Mount

- Height options available
- Through arm cable management
- Swiveling and tilting mount head
- Optional adhesive and free-standing bases

[Learn More >](#)



SKU: TCDP04SMP01B

## Magnetic AV Capsule Stand

100x100mm  
VESA Mount

- Concealed storage space for cables and battery
- 30° table top, 60° wall mounted viewing angle
- Built-in cable lock slot

[Learn More >](#)



Ideal for video  
conference  
management

## Cling Stand

- Fixed angle secure stand
- Tamper proof design
- 90° screen rotation
- VHB and screw mounts included

[Learn More >](#)



# Floor Stands

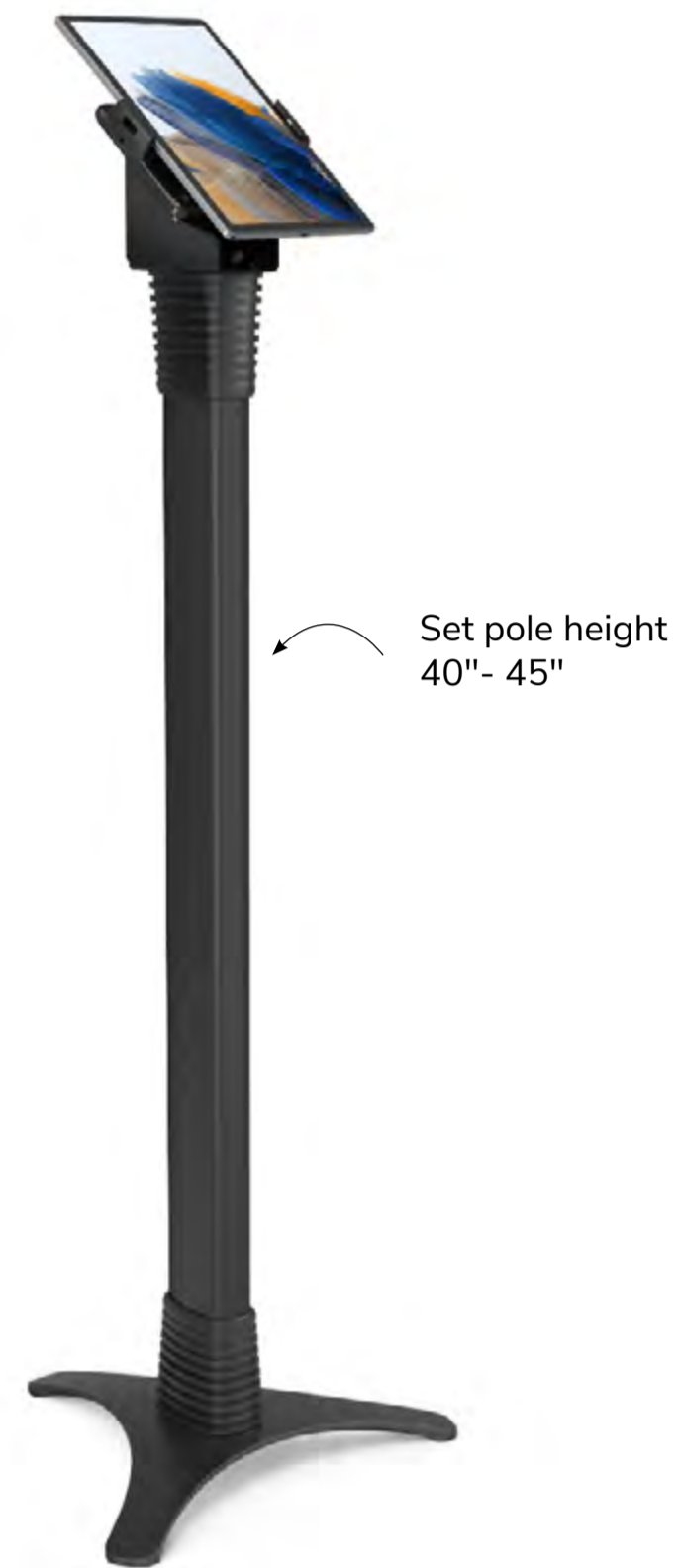


## BrandMe Floor Stand

100x100mm  
VESA Mount

- Tilting head
- Panel for branding, call to action, or custom design
- Cable management for charging while mounted
- Concealed storage space for adaptor, batteries, etc.

[Learn More >](#)

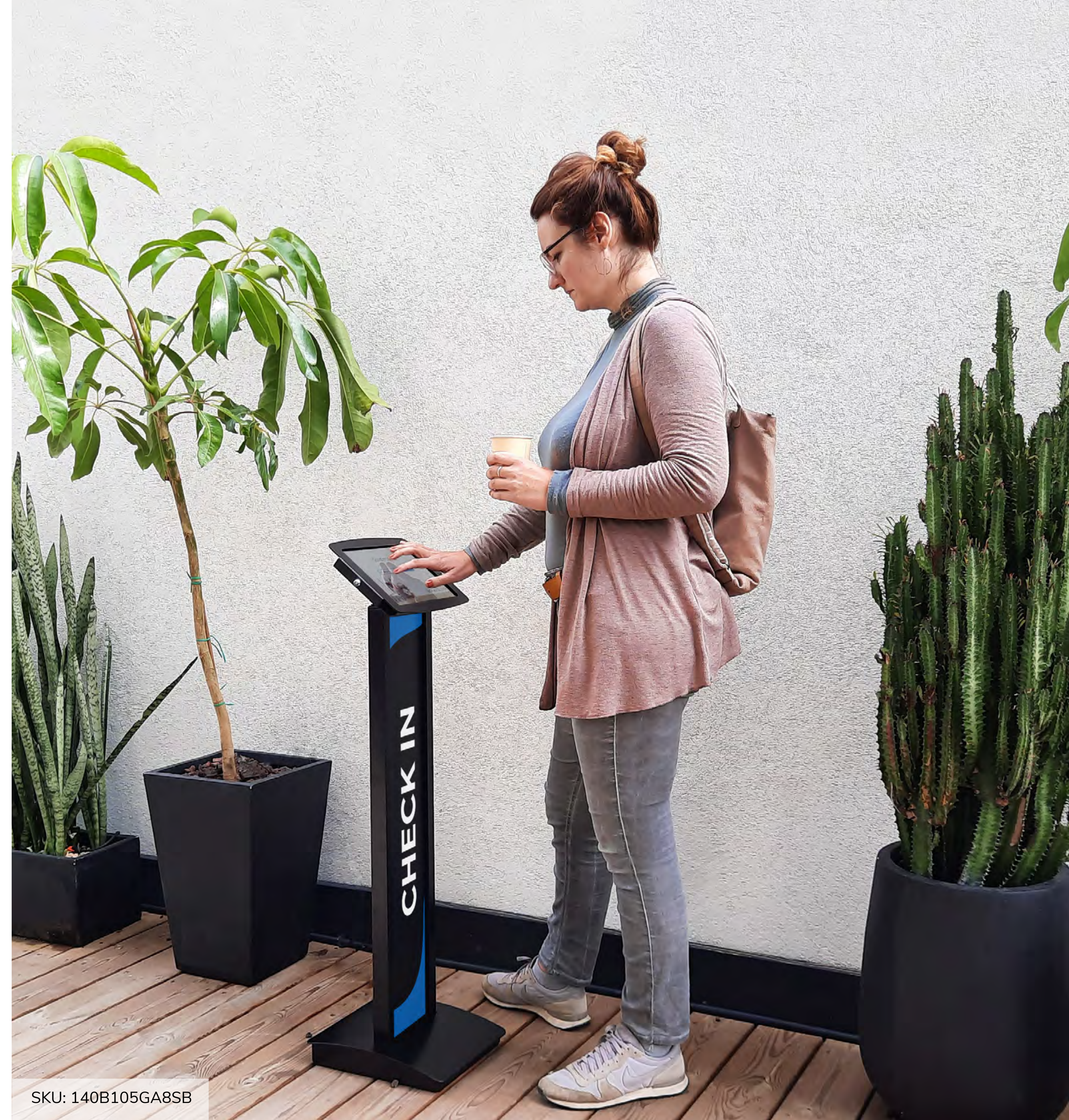


## Portable Floor Stand

100x100mm  
VESA Mount

- Floor stand with adjustable height
- Fixed 45° viewing angle
- Cable management through the pole
- Space for charging block

[Learn More >](#)

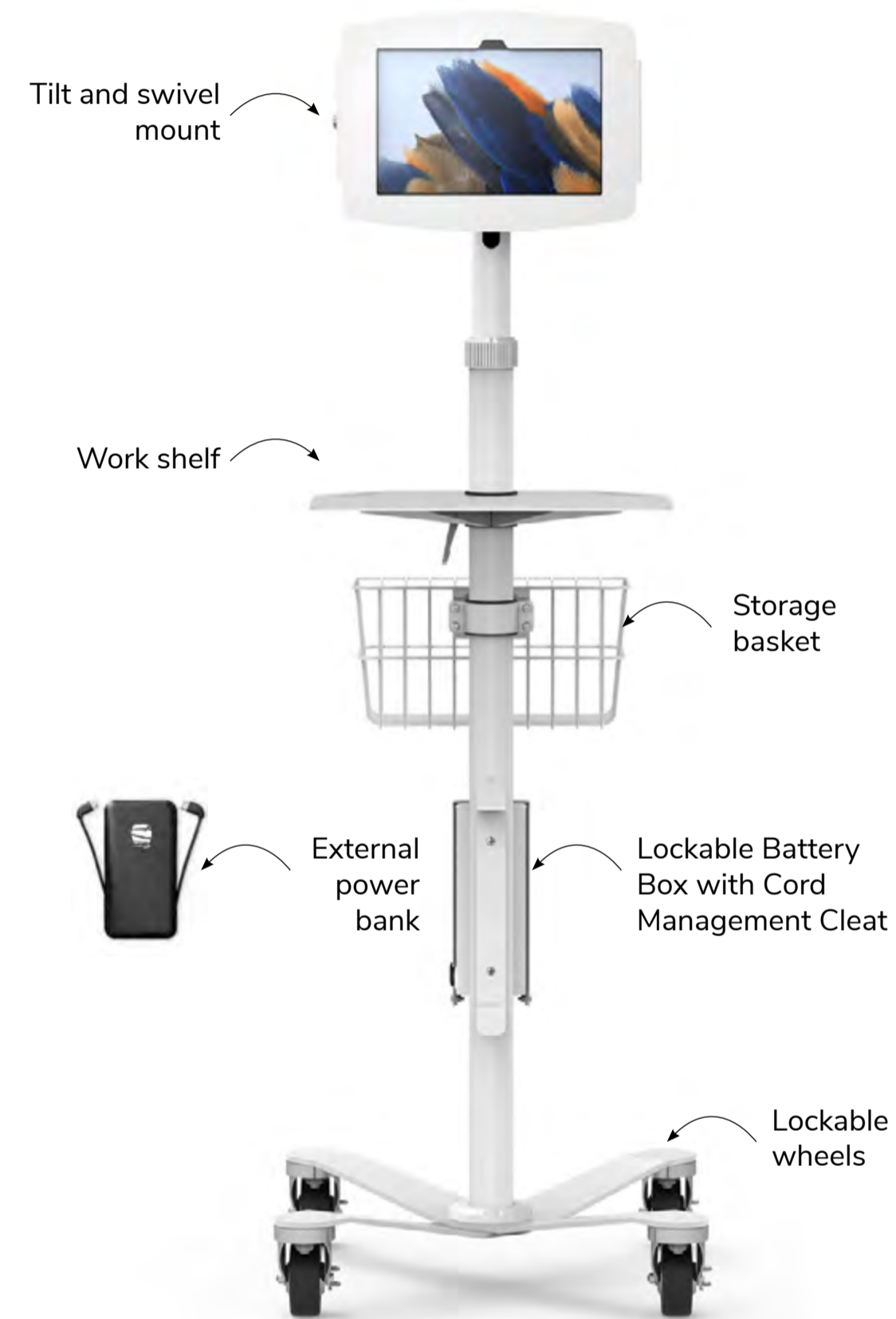


SKU: 140B105GA8SB



# Rolling Stands

## Tablet Rolling Cart



100x100mm  
VESA Mount

75x75mm  
VESA Mount

- Dynamic, rolling, hands-free workstation
- Through pole cable management
- Adjustable height and viewing angles
- Rolls easy and fits in tight places
- Perfect for healthcare and medical settings

[Learn More >](#)

[See more ▶](#)

## Tablet Extended Rolling Cart

2022 Best Seller



[Learn More >](#)



SKU: MCRSTDEXW105GA8SW

# Other Mounts

## Glass Mount

100x100mm  
VESA Mount



- Securely mount any Galaxy Tab on smooth surfaces including marble and glass; no drilling required
- Easy to install and can be removed using a dedicated tool (supplied separately)
- Powerful VHB adhesive pads to fix to glass and other smooth surfaces

[Learn More >](#)

## Rail Mount

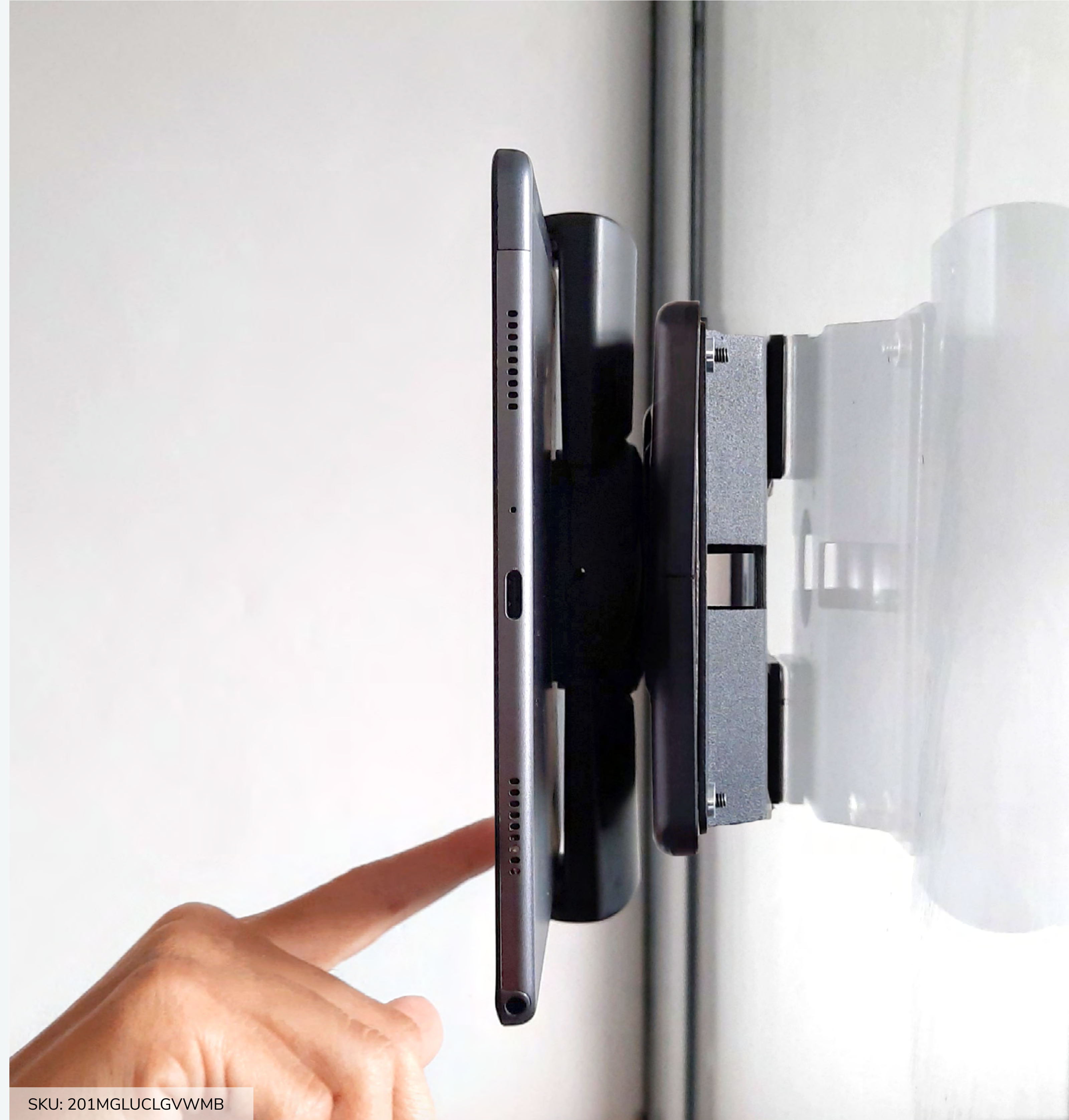
100x100mm  
VESA Mount

75x75mm  
VESA Mount



- Fix to rails 12.7mm (0.5") Ø to 38.0mm (1.50") Ø
- 360° screen swivel
- 125° screen flip

[Learn More >](#)



SKU: 201MGLUCLGVWMB

# Ergonomic Arms



## Articulating Arm

75mm/100mm  
VESA Mount

- Wide range of motion: tilt, swing, and pan
- Clamp-on, mount through desk or wall mount
- Cable management keeps all wires and cords organized

[Learn More >](#)

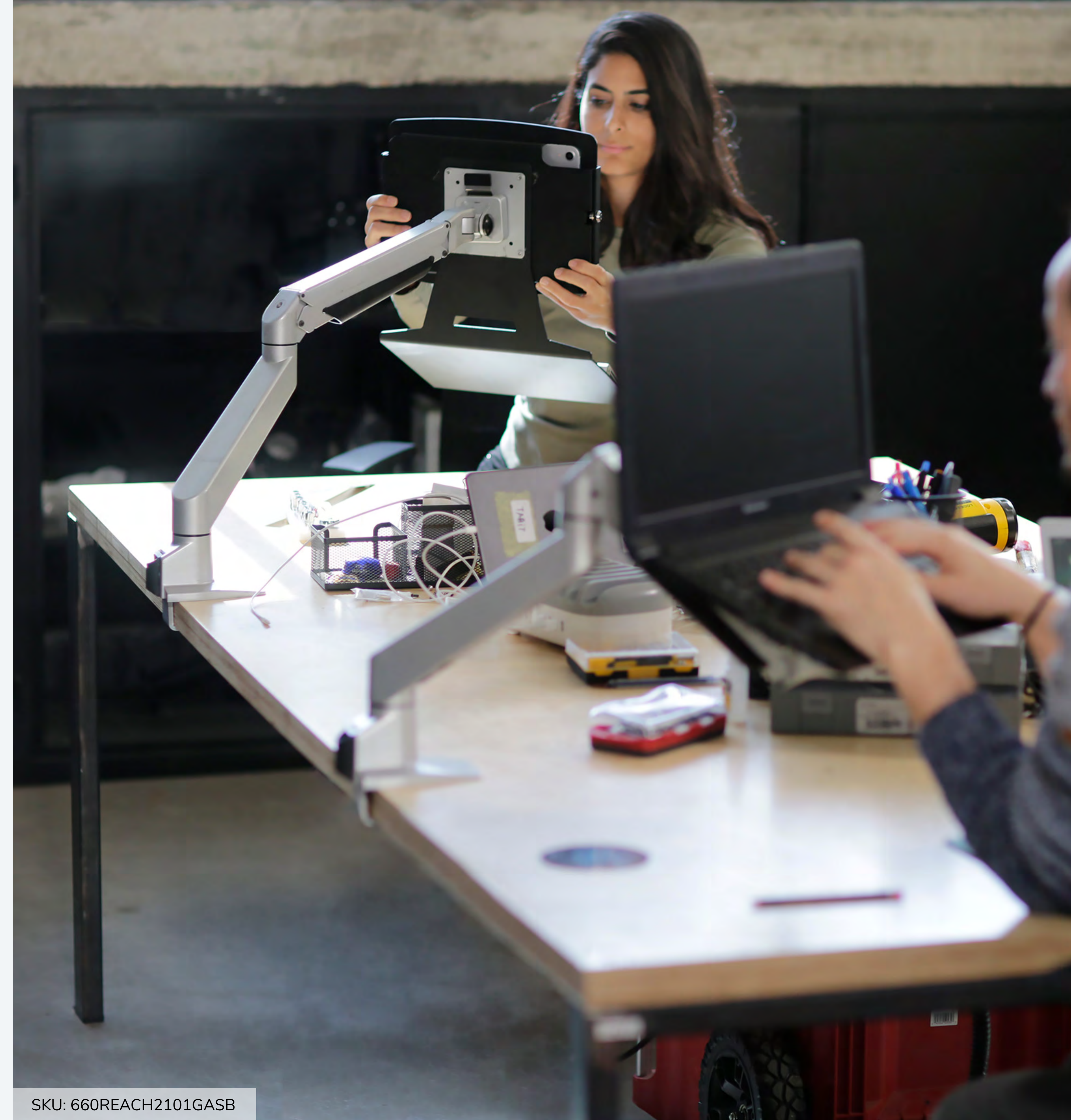


## Extra Long Articulating Arm

100x100mm  
VESA Mount

- Extra-long 4 ft. arm
- Ergonomic monitor arm
- Suitable for hospitals, clinics, and patient monitoring applications or interactive bedside entertainment systems

[Learn More >](#)



SKU: 660REACH2101GASB

## Did you know?

The FBI's National Crime Information Center estimates that each year up to 800,000 memory devices (laptops, tablets etc) are lost or stolen. Due to their value, securing Laptops and Galaxy Tabs is more urgent than ever.

Compulocks offers a range of security solutions for any device.

\*Source: forbes.com

# Locks

## Lock Adapters & Cable Locks



### Universal Tablet Lock Best Seller

Compatible



- Low-profile Universal Security Plate
- 3M VHB industrial adhesive
- 6ft galvanized steel cable lock
- Loop ended cable for easy tethering

[Learn More >](#)



### Blade Universal Lock

Compatible



- Universal for any device
- Extremely durable
- Compatible with standard T-bar cable lock
- Retractable "Blade" security slot

[Learn More >](#)



### Keyed Cable Lock

6ft T-Bar universal keyed cable lock

[Learn More >](#)



### Combination Cable Lock

6ft T-Bar universal combination cable lock

[Learn More >](#)



SKU: CL15UTL



SKU: DGSGTA7

## Protective Solutions

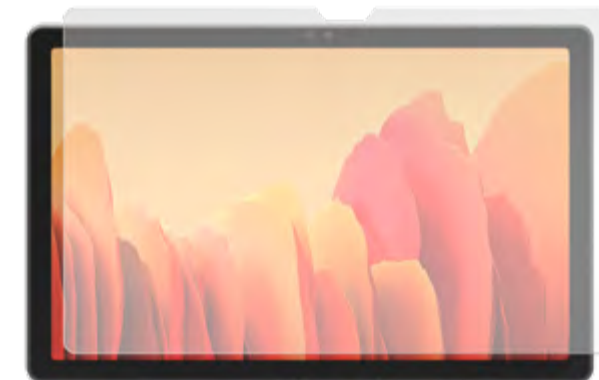


### Edge Case

#### Rugged silicon protection

- Rubberized for a firm grip and protection
- Cutouts for buttons, ports, and cameras
- Open back area for universal adhesive locking mechanisms

[Learn More >](#)



### Screen Shield

#### Tempered glass screen protector

- Shatter-proof and scratch-resistant
- Maintains touchscreen sensitivity
- Crystal clear image resolution
- Nano-coating to repel finger marks and dust

[Learn More >](#)














## Custom Made Solutions

Work culture is changing all the time. Every work environment has different and specific needs. With a track record of delivering transformative, functional experiences across the world, we are dedicated to advancing brands' messages and vision by creating the right solution for any organization.

[Learn More >](#)



# Stands

													
<b>Solution</b>	Rotating Counter Stand - 360	Fixed 45 Degree Counter Stand	Tilting 8” Counter Stand - “Rise”	Tilting 4” Counter Stand - “Rise”	AV Conference Room Capsule	Flexible Counter Stand - “Flex Arm”	Brandable Floor Stand - “BrandMe”	Portable Floor Stand - “Adjustable”	Rolling Cart Extended - “Rise Freedom Extended”	Rolling Cart - “Rise Freedom”	Articulating Arm Mount - “Reach”	Swing Wall Mount - “Swing”	Extra Long Articulating Arm
<b>Part #</b>	303B	101B	TCDP01	TCDP04	341B	159B	140B	147B	MCRSTDEXW	MCRSTDW	660REACH	827B	1050MAAW

# Universal Solutions

										
<b>Solution</b>	Hovertab	Grip & Dock	Cling Stand	Universal Tablet Lock	Secured EMV Stand	Universal Tablet Holder	Solutions with Cling	Solutions with IT Mount	Solutions with Magnetix	Tablet Rugged Case Holder
<b>Part #</b>	HOVERTAB	189BGRPLCK	UCLGSTDB	CL15UTL	199BSLDDCKB	CL12UTHBB	UCLGVWMB	SMP01B	VHBMM01	820BRCH

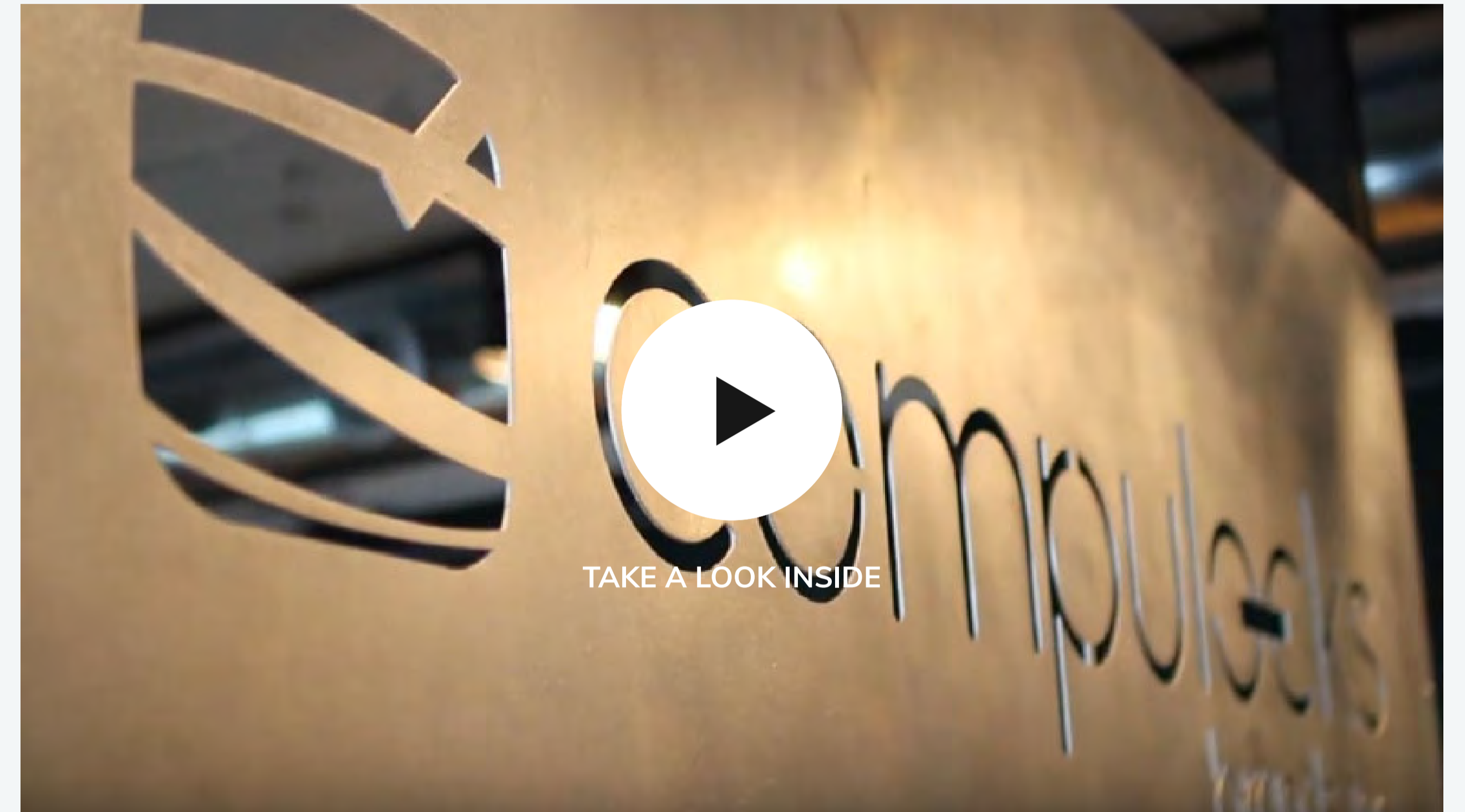
## Space Enclosures

Samsung Galaxy Tab	Screen Size in Inch	Release year	Space Enclosure
Samsung Galaxy Tab A8	10.5"	2022	105GA85B
Samsung Galaxy Tab A7 Lite	8.7"	2021	870GA7SB
Samsung Galaxy Tab A7	10.4"	2020	104GA7SB
Samsung Galaxy Tab A	8"	2020	2084GASB
Samsung Galaxy Tab A	10.1"	2019	1910GASB

## Protective Accessories

Samsung Galaxy Tab	Screen Size in Inch	Screen Protector	Protective Edge Case
Samsung Galaxy Tab A8	10.5"	DGSGTA8	BNDTA8
Samsung Galaxy Tab A7	10.4"	DGSGTA7	BNDTA7
Samsung Galaxy Tab A	10.1"	DGSTA101	BNDTA101
Samsung Galaxy Tab A	8"	DGSTA80	

## Let's Meet!



### Compulocks North America

[www.compulocks.com](http://www.compulocks.com)

[b2b@compulocks.com](mailto:b2b@compulocks.com)

### Compulocks Europe

[www.maclocks.eu](http://www.maclocks.eu)

[eu@compulocks.com](mailto:eu@compulocks.com)