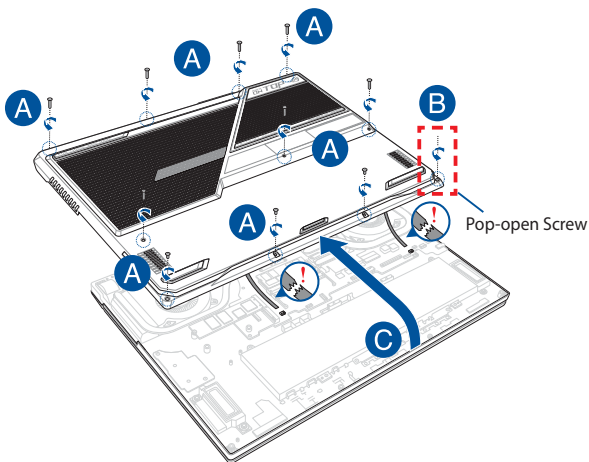


Upgrade Guide

Removing the compartment cover

NOTE: The appearance of your Notebook PC's bottom view may vary per model.

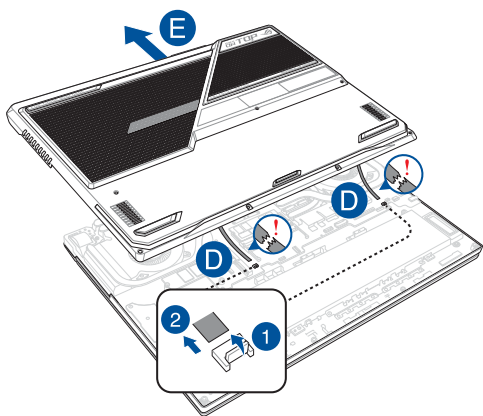
- Remove the screw(s) from the Notebook PC's compartment cover.
- Loosen the Pop-open Screw without removing the screw from the cover.
- Slightly lift the cover to reveal the compartment without removing the cover completely.



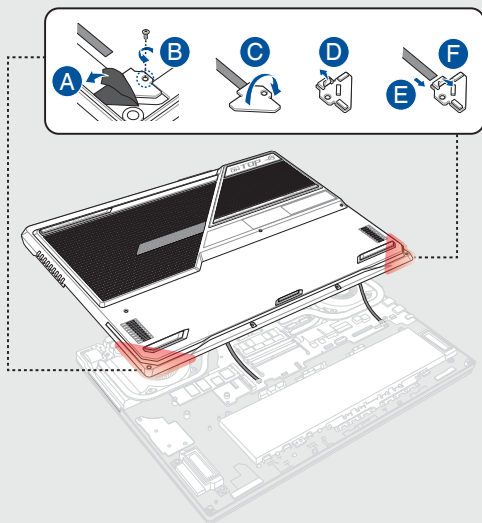
- D. Locate and disconnect the cable(s) as shown in the illustration.

NOTE: If you accidentally pull out the cable(s) from the back of the compartment cover, refer to the next page to reconnect the cable(s).

- E. Pull out the compartment cover and remove it completely from your Notebook PC.

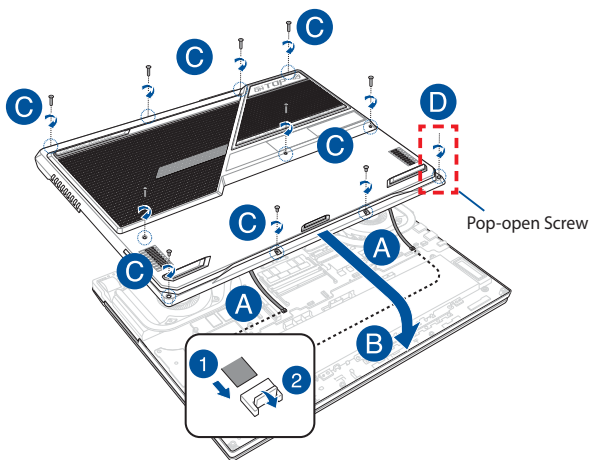


To reconnect the cable(s) to the back of the compartment cover, follow the steps below to remove the circuit board(s) first, then reconnect the cable(s) before reinstalling the circuit board(s).



To reattach the compartment cover:

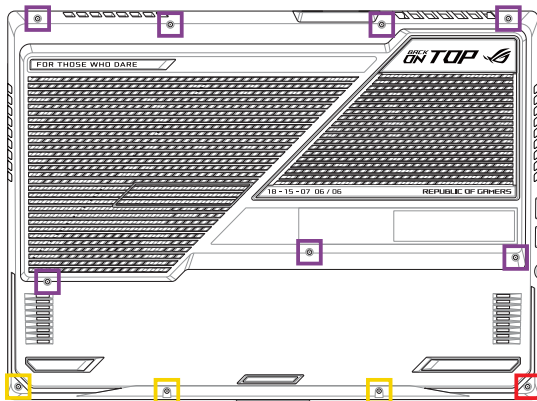
- A. Locate and reconnect the cable(s) as shown in the illustration.
- B. Align and reattach the cover of the compartment.
- C. Secure the cover using the screw(s) you removed earlier.
- D. Tighten the Pop-open Screw.



Cover screw map

15" model

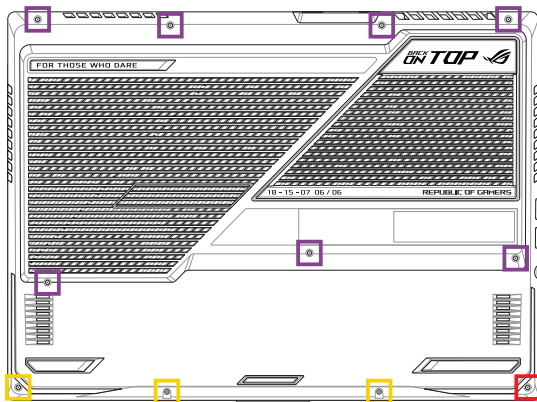
Model						
G513R	G513RX	G513RS	G513RW	G513RM	G513RXZ	G513RSZ
G513RWZ	513RMZ	PX513R	PX513RX	PX513RS	PX513RW	PX513RM
GL543R	GL543RX	GL543RS	GL543RW	GL543RM		






- M2.5 X 12L (7PCS)
- M2.5 X 6L (3PCS)
- M2.5 X 7L (1PC Pop-open Screw)

Model

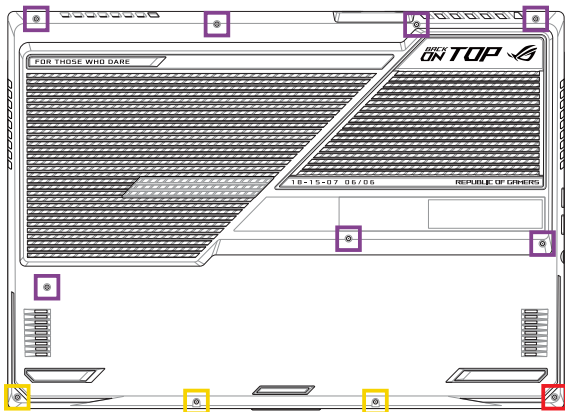
G513RC	G513RE	G513RH	G513RCZ	G513REZ	G513RHZ	PX513RE
PX513RC	PX513RH	GL543RE	GL543RC	GL543RH		



-  M2.5 X 9L (7PCS)
-  M2.5 X 4.5L (3PCS)
-  M2.5 X 5L (1PC Pop-open Screw)

17" model

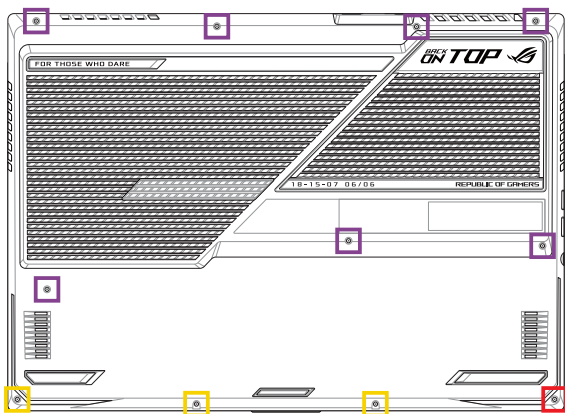
Model						
G713R	G713RX	G713RS	G713RW	G713RM	G713RXZ	G713RSZ
G713RWZ	G713RMZ	PX713R	PX713RX	PX713RS	PX713RW	PX713RM
GL743R	GL743RX	GL743RS	GL743RW	GL743RM		



- M2.5 X 12L (7PCS)
- M2.5 X 6L (3PCS)
- M2.5 X 7L (1PC Pop-open Screw)

Model

G713RC	G713RE	G713RH	G713RCZ	G713REZ	G713RHZ	PX713RE
PX713RC	PX713RH	GL743RE	GL743RC	GL743RH		



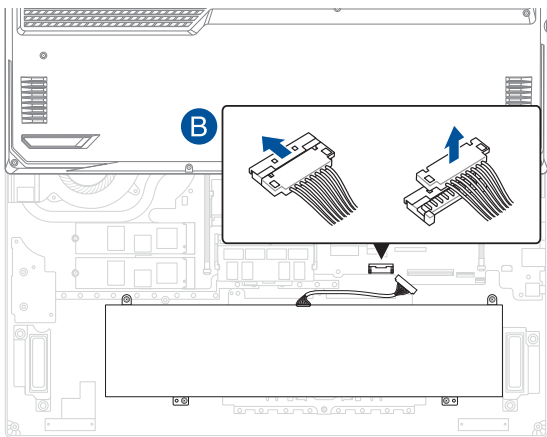
- M2.5 X 9L (7PCS)
- M2.5 X 4.5L (3PCS)
- M2.5 X 5L (1PC Pop-open Screw)

Disconnecting the battery

- A. Remove the compartment cover.

NOTE: For more details, refer to the *Removing the compartment cover* section in this manual.

- B. Disconnect the cable from the battery connector.



NOTE: The illustration is for reference only.

To connect the battery, align and connect the cable to the battery connector before you reattach the compartment cover.

Installing a RAM module

Upgrade the memory capacity of your Notebook PC by installing a RAM (Random Access Memory) module in the memory module compartment. The following steps show you how to install a RAM module into your Notebook PC:

WARNING! Disconnect all the connected peripherals, any telephone or telecommunication lines and power connector (such as external power supply, battery pack, etc.) before removing the compartment cover.

IMPORTANT! Visit an authorized service center or retailer for information on RAM module upgrades for your Notebook PC. Purchase RAM modules from authorized retailers of this Notebook PC to ensure maximum compatibility and reliability.

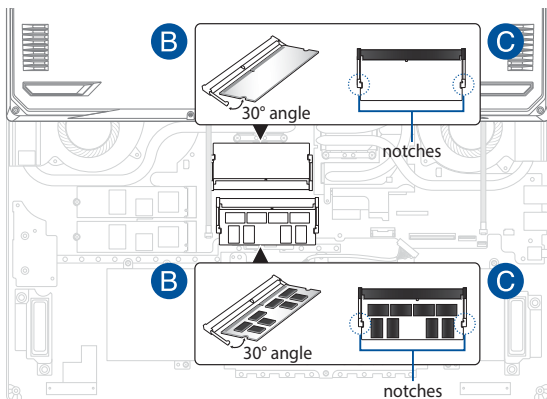
NOTE:

- The appearance of your Notebook PC's bottom view and RAM module may vary per model but the RAM module installation remains the same.
 - It is recommended that you install the RAM module under professional supervision. You may also visit an authorized service center for further assistance.
-

- A. Remove the compartment cover.

NOTE: For more details, refer to the *Removing the compartment cover* and *Disconnecting the battery* sections in this manual.

- B. Align and insert the RAM module into the RAM module slot.
C. Push down the RAM module until it clicks in place.



Installing an M.2 card

Refer to the following steps when installing a compatible M.2 card in your Notebook PC:

IMPORTANT! Purchase your M.2 card from authorized retailers of this Notebook PC to ensure maximum compatibility and reliability.

WARNING! Disconnect all the connected peripherals, any telephone or telecommunication lines and power connector (such as external power supply, battery pack, etc.) before removing the compartment cover.

NOTE:

- The appearance of your Notebook PC's bottom view and M.2 card may vary per model but the module installation remains the same.
 - It is recommended that you install the M.2 card under professional supervision. You may also visit an authorized service center for further assistance.
 - The M.2 2280 slot does not support M.2 SATA SSD.
-

- A. Remove the compartment cover.

NOTE: For more details, refer to the *Removing the compartment cover* and *Disconnecting the battery* sections in this manual.

- B. Align and insert the M.2 card into the module slot.
- C. Secure the M.2 card in place using the bundled screw(s).

