



ThinkSystem ST250 V2 Type 7D8F and 7D8G Quick Start

In the box

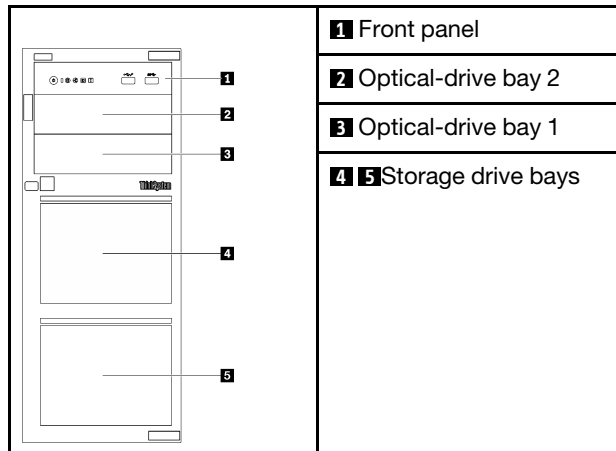
- ST250 V2
- Material box, including printed documentation

If any item is missing or damaged, contact your place of purchase. Ensure that you retain your proof of purchase and packing material. They might be required to receive warranty service.

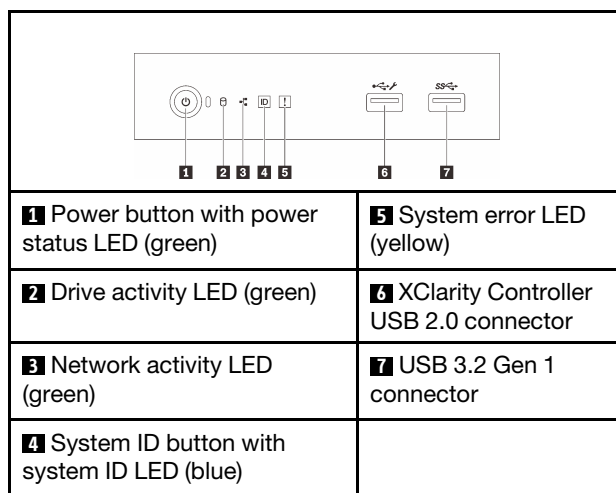
Depending on the configuration, the illustrations in this document might differ slightly from your server.

First glance

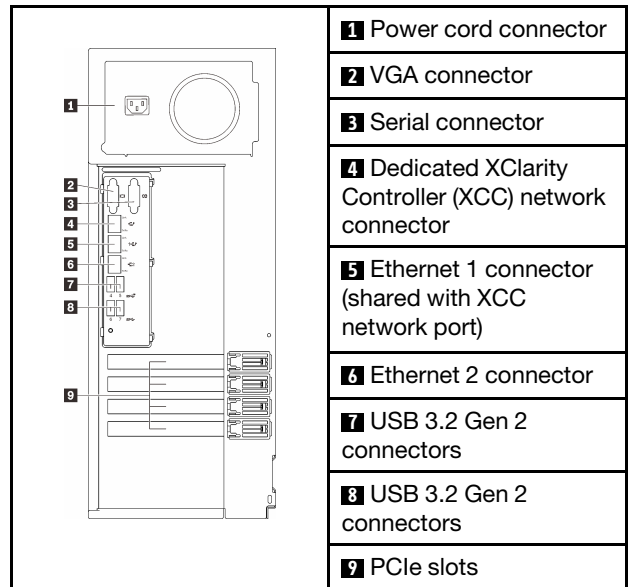
Server front view



Server front panel



Server rear view



Setting up the system

1. Install the required components.
2. Install the server into the rack if necessary.
3. Connect the cables.
4. Power on the server.
5. Configure the system

For detailed information about installing hardware options and configuring the system, see the following website:
<https://thinksystem.lenovofiles.com/help/topic/st250-v2/introduction.html>



For the Rail Installation Guide that is provided on ThinkSystem Documentation Center, see the following website: https://thinksystem.lenovofiles.com/help/topic/rail_options/rail_options_tower_servers.html



Reduce | Reuse | Recycle



Technical specifications

Dimensions and weight

- Height: 175 mm (6.89 inches)
- Width: 430 mm (16.93 inches)
- Depth: 565.7 mm (22.27 inches)
- Weight: Maximum 24.28 kg (53.53 lb)(depending upon configuration)

Processor

This server comes with the latest Intel® processor family, up to one processor from:

- Xeon® E
- Pentium®

Memory

- Slots: 4 DIMM slots
- Minimum: 8 GB
- Maximum: 128 GB
- DIMM Type: TruDDR4 3200 MHz ECC UDIMMs

Storage (varies with models)

Supports the following configurations:

- 3.5-inch simple-swap drive configurations
 - Up to eight SATA drives
 - Up to seven SATA drives and one NVMe drive
 - Up to six SATA drives and one of the following:
 - Two optical drives
 - One optical drive and one tape drive (RDX or LTO)
- 2.5/3.5-inch hot-swap drive configurations
 - Up to eight 3.5-inch SAS/SATA drives
 - Up to sixteen 2.5-inch SAS/SATA drives
 - Up to four 3.5-inch and eight 2.5-inch SAS/SATA drives
 - Optical drive bays support one of the following:
 - Two optical drives
 - One optical drive and one tape drive (RDX or LTO)

First Edition (March 2022)

© Copyright Lenovo 2022.

LIMITED AND RESTRICTED RIGHTS NOTICE: If data or software is delivered pursuant to a General Services Administration (GSA) contract, use, reproduction, or disclosure is subject to restrictions set forth in Contract No. GS-35F-05925.










Expansion slots

This server comes with four PCIe expansion slots.

- Slot 1: PCIe Gen3 x4 lane in x4 slot, FH/HL
- Slot 2: PCIe Gen4 x16 lane in x16 slot, FH/HL
- Slot 3: PCIe Gen3 x4 lane in x4 slot, FH/HL
- Slot 4: PCIe Gen3 x4 lane in x8 slot, FH/HL

*PCIe slot 4 supports an M.2 module.

Where to go for support

Link	QR code
 <p>Lenovo Press (Product guides and white papers) https://lenovopress.com/</p>	
 <p>Lenovo Datacenter Systems Forums https://forums.lenovo.com/t5/Datacenter-Systems/ct-p/sv_eg</p>	
 <p>Lenovo Support - ST250 V2 (including drivers and software) https://datacentersupport.lenovo.com/products/servers/thinksystem/st250v2</p>	
 <p>Lenovo Product Security Advisories https://support.lenovo.com/us/en/product_security/home</p>	
 <p>Lenovo Server Proven (Compatibility information) https://static.lenovo.com/us/en/serverproven/index.shtml</p>	