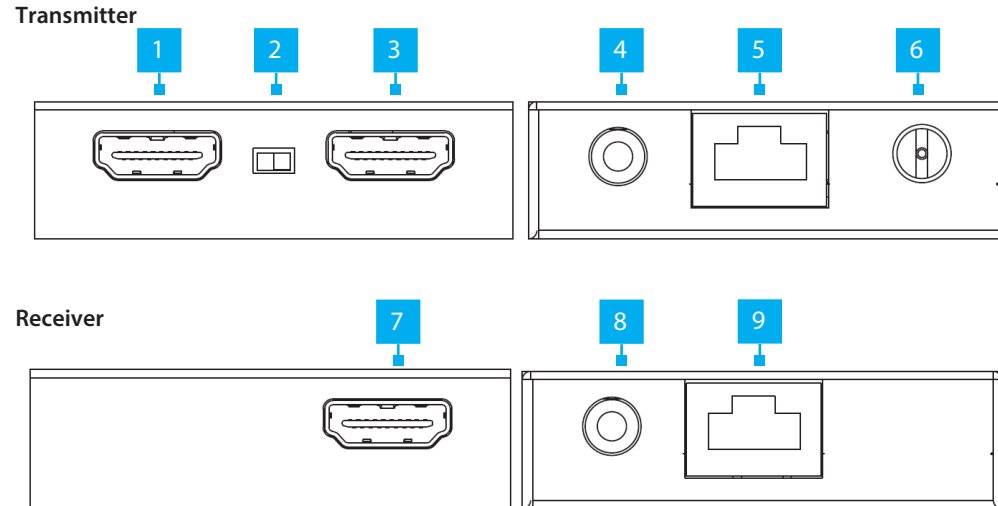


## HDMI over CAT5e/6 Extender - 4K 30Hz - 130ft (40m)

### Product Diagram (EXTEND-HDMI-4K40C6P1)



Port	Function
1	HDMI Input Port
2	EDID Selector Switch
3	HDMI Output Port (Transmitter)
4	IR Output Port
5	RJ45 Output Port (Transmitter)
6	DC 12V Port
7	HDMI Output Port (Receiver)
8	IR Input Port
9	RJ45 Port (Receiver)

### Requirements

For the latest manuals, product information, technical specifications, and declarations of conformance, please visit:

[www.startech.com/EXTEND-HDMI-4K40C6P1](http://www.startech.com/EXTEND-HDMI-4K40C6P1)

### Package Contents

- Local HDMI Transmitter Unit
- Remote HDMI Receiver Unit
- IR Blaster
- IR Receiver
- Power Adapter
- Quick-Start Guide

### Installation

#### Installing the HDMI Transmitter and Receiver

1. Position the **Transmitter** near the **HDMI Source Device**.
2. Connect an **HDMI Cable** (not included) to the **HDMI Source Device** and to the **HDMI Input Port** on the **Transmitter**.
3. (Optional) Connect an **HDMI Cable** to the **Local HDMI Display** and to the **HDMI Output Port** on the **Transmitter**.
4. Connect a **CAT5e/6 Cable** (not included) to the **RJ45 Port** on the **Transmitter** and to the **RJ45 Port** on the **Receiver**.  
**Note:** The cabling cannot go through any networking equipment (e.g. router, switch, etc.).
5. Position the **HDMI Receiver** near the **HDMI Display Device**.
6. Connect an **HDMI Cable** to the **HDMI Output Port** on the **Receiver** and to the **HDMI Display Device**.
7. Connect the **Universal Power Adapter** to the **DC 12V Port** on the **Transmitter** to an **AC Electrical Outlet**.

#### Installing the IR Blaster and IR Receiver

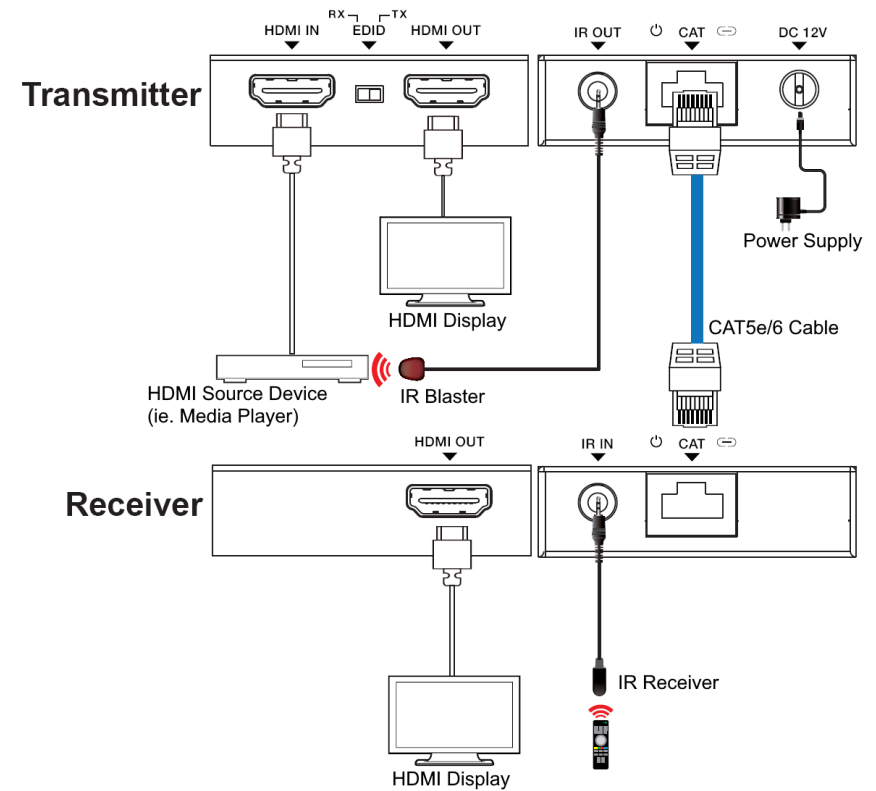
##### Control the HDMI Source Device from the Receiver

1. Connect the **IR Blaster** (Rounded Shape) to the **IR Output Port** on the **Transmitter**.
2. Peel the **Film** off of the **Adhesive Pad** that is located on the **IR Blaster**. Position the **IR Blaster** so that it is pointing directly at the **IR Sensor** on the **HDMI Source Device**.

**Note:** Consult the **HDMI Source Device's** manual to determine the location of the **IR Sensor**.

3. Connect the **IR Receiver** (Rectangle Shape) to the **IR Input Port** on the **Receiver**.
  4. Peel the **Film** off of the **Adhesive Pad** that is located on the **IR Receiver**. Position the **IR Receiver** in a location where there is a clear path to the **Remote Control**.
- Notes:** Infrared signals require a direct line of sight to function. Consult the manual for the **HDMI Display Device** to determine the location of the **IR Sensor**.
5. Use the **Remote Control** for the **HDMI Source Device** to control the **HDMI Source Device** from the **Receiver's** location.

## Connection Diagram



## Regulatory Compliance

### FCC - Part 15

This equipment has been tested and found to comply with the limits for a Class B digital device, pursuant to part 15 of the FCC Rules. These limits are designed to provide reasonable protection against harmful interference in a residential installation.

This equipment generates, uses and can radiate radio frequency energy and, if not installed and used in accordance with the instructions, may cause harmful interference to radio communications. However, there is no guarantee that interference will not occur in a particular installation. If this equipment does cause harmful interference to radio or television reception, which can be determined by turning the equipment off and on, the user is encouraged to try to correct the interference by one or more of the following measures:

- Connect the equipment into an outlet on a circuit different from that to which the receiver is connected.
- Consult the dealer or an experienced radio/TV technician for help

This device complies with part 15 of the FCC Rules. Operation is subject to the following two conditions:

- (1) This device may not cause harmful interference, and (2) this device must accept any interference received, including interference that may cause undesired operation. Changes or modifications not expressly approved by StarTech.com could void the user's authority to operate the equipment.

### Industry Canada Statement

This Class B digital apparatus complies with Canadian ICES-003.

Cet appareil numérique de la classe [B] est conforme à la norme NMB-003 du Canada.

CAN ICES-3 (B)/NMB-3(B)

This device complies with Industry Canada licence-exempt RSS standard(s). Operation is subject to the following two conditions:

- (1) This device may not cause interference, and (2) This device must accept any interference, including interference that may cause undesired operation of the device.

Le présent appareil est conforme aux CNR d'Industrie Canada applicables aux appareils radio exempts de licence. L'exploitation est autorisée aux deux conditions suivantes:

- (1) l'appareil ne doit pas produire de brouillage, et (2) l'utilisateur de l'appareil doit accepter tout brouillage radioélectrique subi, même si le brouillage est susceptible d'en compromettre le fonctionnement.

## Warranty Information

This product is backed by a two-year warranty.

For further information on product warranty terms and conditions, please refer to [www.startech.com/warranty](http://www.startech.com/warranty).

## Limitation of Liability

In no event shall the liability of StarTech.com Ltd. and StarTech.com USA LLP (or their officers, directors, employees or agents) for any damages (whether direct or indirect, special, punitive, incidental, consequential, or otherwise), loss of profits, loss of business, or any pecuniary loss, arising out of or related to the use of the product exceed the actual price paid for the product. Some states do not allow the exclusion or limitation of incidental or consequential damages. If such laws apply, the limitations or exclusions contained in this statement may not apply to you.

**StarTech.com Ltd.**  
45 Artisans Cres  
London, Ontario  
N5V 5E9  
Canada

**StarTech.com LLP**  
4490 South Hamilton  
Road  
Groveport, Ohio  
43125  
U.S.A.

**StarTech.com Ltd.**  
Unit B, Pinnacle 15  
Gowerton Rd,  
Brackmills  
Northampton  
NN4 7BW  
United Kingdom

**StarTech.com Ltd.**  
Siriusdreef 17-27  
2132 WT Hoofddorp  
The Netherlands

FR: [startech.com/fr](http://startech.com/fr)  
DE: [startech.com/de](http://startech.com/de)  
ES: [startech.com/es](http://startech.com/es)  
NL: [startech.com/nl](http://startech.com/nl)  
IT: [startech.com/it](http://startech.com/it)  
JP: [startech.com/jp](http://startech.com/jp)