

V6™ Technology Wall Station



Better Design, Better Care

The V6 wall station makes computer use comfortable and convenient, while helping caregivers prioritize their patients.

Designed for easy, practical use at both sitting and standing positions, the wall station meets the needs of the modern healthcare environment.



V6™ | ViewPoint™ Technology Wall Station

The V6 technology wall station is an effective, versatile sit-stand solution. Featuring a leading ergonomic design, the V6 is both intuitive to use and space efficient. It's the perfect fit for any healthcare environment, including sealed cable management for effective organization and infection control.

ADJUSTABLE

The flexible monitor arms ensure technology never gets in the way of patient-caregiver interactions. With a wide range of dynamic adjustability, the V6 accommodates most users in sitting or standing positions, while also encouraging comfortable and convenient computer use.

VERSATILE

The V6 is easily customizable with numerous monitor and keyboard arm lengths for ultimate versatility. Choose an accessory mount or rail to support peripheral shelves and mounts for gloves, wipes and other common items.

STREAMLINED

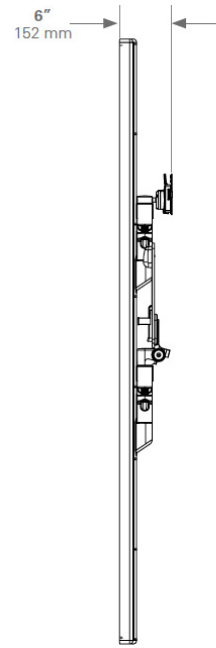
Featuring a sleek, sustainable aluminum design, neutral color palette and streamlined aesthetic, the V6 is the right fit for any healthcare space. The cable management system and wipe-clean finish is designed for even the most abrasive cleaning agents to ensure effective infection control.



V6 Specifications

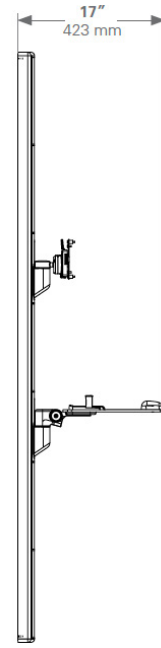
Side View

Flush Mount, No Links



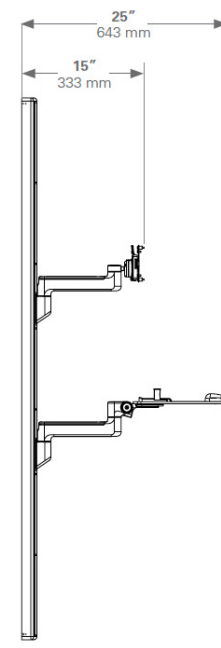
Side View

No Links



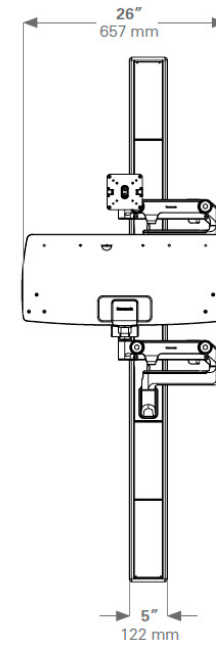
Side View

Straight Links



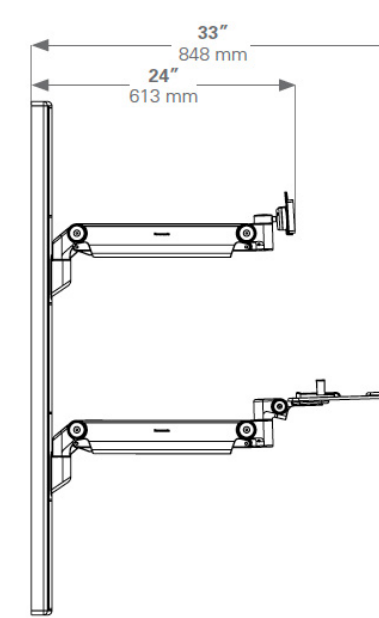
Side View

No Links



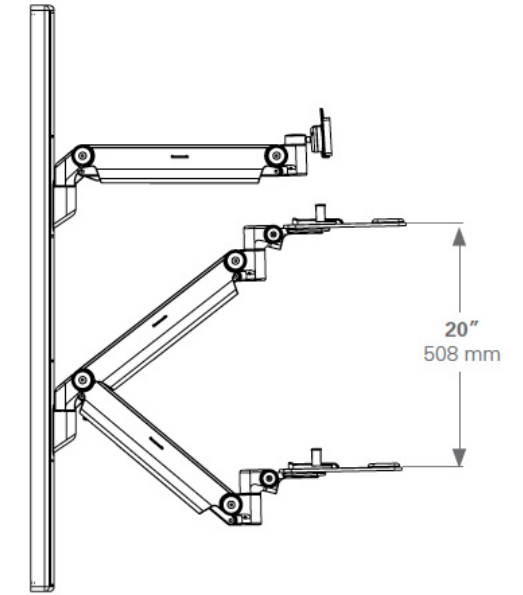
Side View

No Links



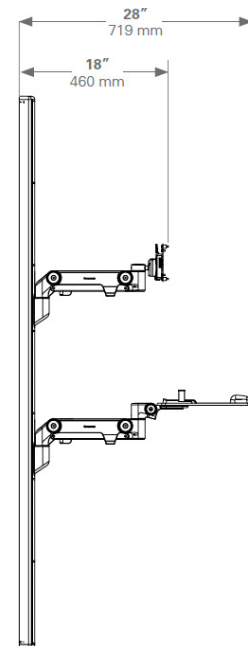
Side View

Straight Links



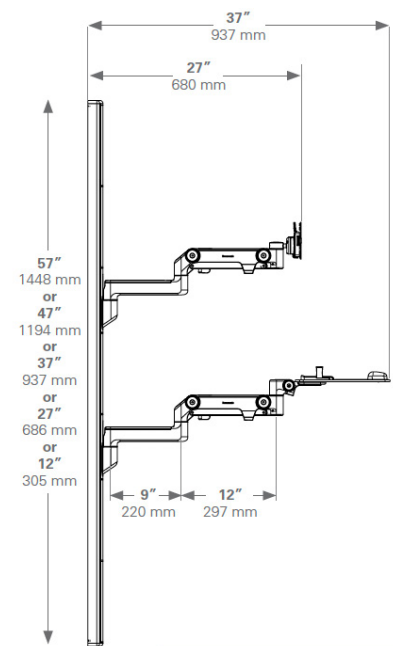
Side View

Dynamic Links



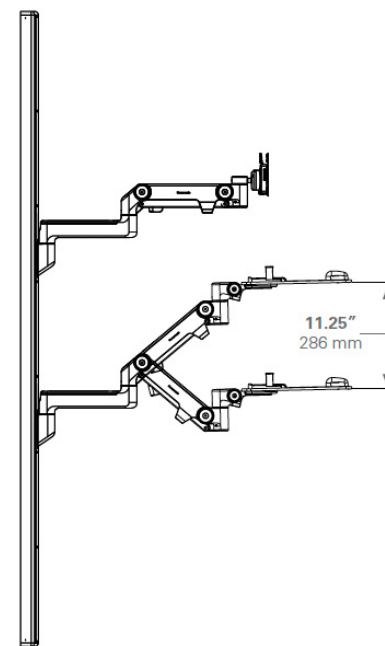
Side View

Full Configuration, Dual Links



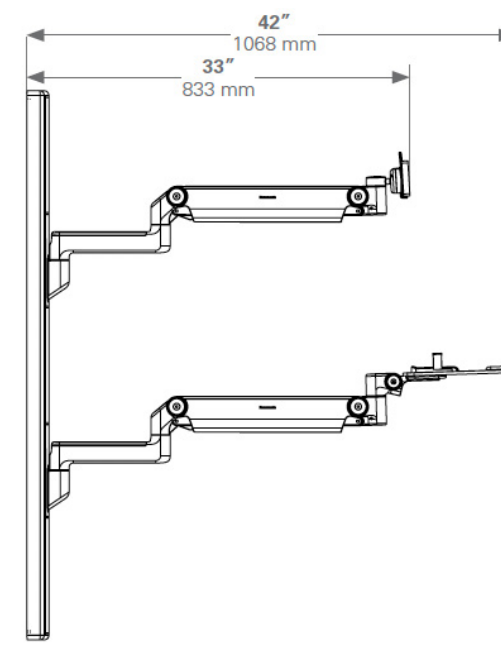
Side View

Flush Mount, No Links





Side View

No Links






V6 Accessories

		
V6SHP V6 Standard Healthcare Keyboard Platform	V6VDK V6 V/Desk Keyboard Platform	V6VD2S V6 V/Desk2 Keyboard Platform

	
VPA-SS ViewPoint Stactic Accessory Shelf	VPA-FS ViewPoint Flip-up Accessory Shelf

		
VPV-27vH VESA Accessory Rail Mount with 27" Rail	VPV-19 V6 - Accessory Rail Mount with 19" Rail	VPV-27 V6 - Accessory Rail Mount with 27" Rail

		
VPA-SC-BKT Rail Mounted Scanner Bracket	VPA-S-CNT Rail Mounted Sharps Container Holder	VPA-GB-HLD Rail Mounted Glove Box Holder

		
VVPA-HD-SNT Rail Mounted Hand Sanitizer Holder	VPA-CH-HLD Rail Mounted Chart Holder	V6TCC V6 Track/Wall Mount CPU Cradle

		
V6WC V6 Wall Mounted Enclosed CPU Holder	V6TC V6 Track Mounted Enclosed CPU Holder	VPV-19H VESA Accessory Rail Mount with 19" Rail



Certified ISO
27001:2013



Certified ISO
9001:2015



CAPSAHEALTHCARE

CapsaHealthcare.com | 800.437.6633

8170 Dove Parkway
Canal Winchester, Ohio 43110