

Owner's Manual

Havis Rugged Mobile Docking Station

For Panasonic TOUGHBOOK 54 and 55

DS-PAN-430 Series

DS-PAN-431

DS-PAN-432

DS-PAN-433

DS-PAN-434

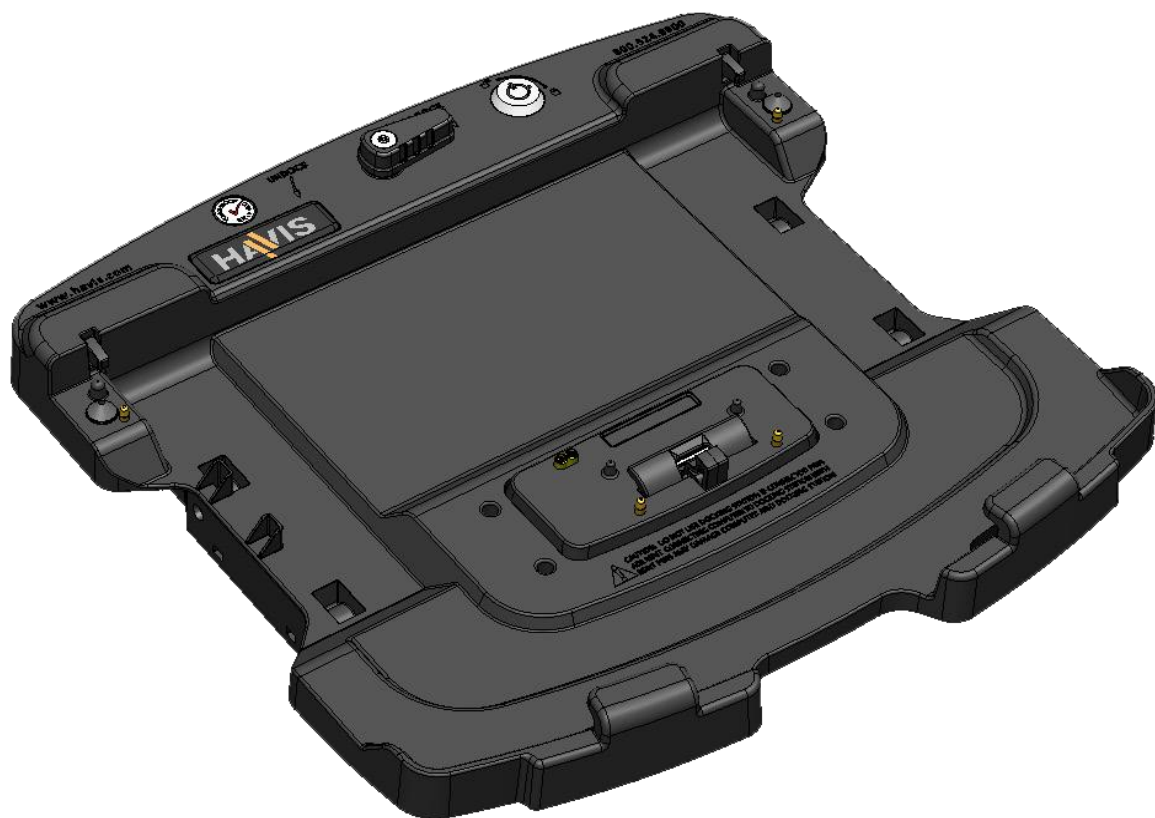
DS-PAN-435

DS-PAN-431-2

DS-PAN-432-2

DS-PAN-434-2

DS-PAN-435-2



Before Beginning

Havis is pleased to provide this Owner's Manual to aid in the proper installation and use of the DS-PAN-430 Series Docking Station for the Panasonic TOUGHBOOK 54 AND 55 laptop computers.

For questions regarding the set-up of your DS-PAN-430 Series Docking Station, please contact Havis at 1-800-524-9900 or visit www.havis.com for additional product support and information.

This Owner's Manual applies to the following Part Numbers:

DS-PAN-431	DS-PAN-432	DS-PAN-433	DS-PAN-434	DS-PAN-435
DS-PAN-431-2	DS-PAN-432-2		DS-PAN-434-2	DS-PAN-435-2

WARNING

- NEVER STOW OR MOUNT THE DOCKING STATION DIRECTLY IN A VEHICLE AIRBAG DEPLOYMENT ZONE.
- DO NOT USE COMPUTER WHILE DRIVING.
- NE JAMAIS RANGER OU INSTALLER LA STATION D'ACCUEIL DIRECTEMENT DANS LA ZONE DE DÉPLOIEMENT DES COUSSINS GONFLABLES D'UN VÉHICULE.
- NE PAS UTILISER L'ORDINATEUR EN CONDUISANT.

CAUTION

- READ ALL INSTRUCTIONS THOROUGHLY BEFORE BEGINNING INSTALLATION.
- DO NOT STORE, INSTALL, OR OPERATE THE DOCKING STATION WHERE WATER, MOISTURE, STEAM, DUST, ETC. ARE PRESENT
- DO NOT DOCK OR UNDOCK YOUR COMPUTER UNLESS IT IS POWERED OFF. DOCKING OR UNDOCKING WITH YOUR COMPUTER IN ON, STANDBY, HIBERNATION, OR SLEEP MODES CAN CAUSE PERMANENT DAMAGE.
- FOR THE DS-PAN-431, DS-PAN-431-2, DS-PAN-432, DS-PAN-432-2, DS-PAN-434, DS-PAN-434-2, DS-PAN-435, & DS-PAN-435-2 DOCKING STATIONS: DO NOT CONNECT DIRECTLY TO VEHICLE VOLTAGE SOURCE: This product requires a certified, automotive grade, Panasonic approved 120W power source rated for a continuous, regulated 15.6 VDC output (*Havis Part Number LPS-112 or equivalent*). Failure to comply with this requirement will cause product damage that is NOT repairable and is NOT covered under warranty.
- FOR THE DS-PAN-433 DOCKING STATION: DO NOT CONNECT DIRECTLY TO VEHICLE VOLTAGE SOURCE: The Panasonic TOUGHBOOK 54 and 55 requires a certified, Panasonic approved power source rated for a continuous, regulated 15.6 VDC output. Failure to comply with this requirement will cause product damage that is NOT repairable and is NOT covered under warranty.
- LIRE ATTENTIVEMENT TOUTES LES INSTRUCTIONS AVANT DE COMMENCER L'INSTALLATION.
- NE PAS ENTRPOSER, INSTALLER OU UTILISER LA STATION D'ACCUEIL DANS UN ENDROIT OÙ DE L'EAU, DE L'HUMIDITÉ, DE LA VAPEUR, DE LA POUSSIÈRE, ETC. SONT PRÉSENTES
- NE CONNECTEZ OU DÉCONNECTEZ PAS VOTRE ORDINATEUR S'IL N'EST PAS ÉTEINT. LA MISE EN MARCHÉ OU L'ARRÊT DE VOTRE ORDINATEUR EN MODE MARCHÉ, VEILLE, HIBERNATION OU SOMMEIL PEUT CAUSER DES DOMMAGES PERMANENTS.
- POUR LES STATIONS D'ACCUEIL DS-PAN-431, DS-PAN-431-2, DS-PAN-432, DS-PAN-432-2, DS-PAN-434, DS-PAN-434-2, DS-PAN-435 ET DS-PAN-435-2 : NE PAS BRANCHER DIRECTEMENT À LA SOURCE DE TENSION DU VÉHICULE : Ce produit nécessite une source d'alimentation de 120 W certifiée de qualité automobile approuvée par Panasonic et conçue pour une sortie continue et régulée de 15.6 VDC (numéro de pièce Havis LPS-112 ou équivalent). Le non-respect de cette exigence entraînera des dommages au produit qui ne sont PAS réparables et qui ne sont PAS couverts par la garantie.
- POUR LA STATION D'ACCUEIL DS-PAN-433 : NE PAS BRANCHER DIRECTEMENT À LA SOURCE DE TENSION DU VÉHICULE : Les TOUGHBOOK 54 et 55 de Panasonic nécessite une source d'alimentation certifiée et approuvée par Panasonic, conçue pour une sortie continue et régulée de 15.6 VDC. Le non-respect de cette exigence entraînera des dommages au produit qui ne sont PAS réparables et ne sont pas couverts par la garantie.

NOTICE

- FOR DOCKING STATION MODELS EQUIPPED WITH A BUNDLED POWER SUPPLY (DS-PAN-432, DS-PAN-432-2, DS-PAN-435, & DS-PAN-435-2) REFER TO THE SUPPLIED LIND POWER SUPPLY REFERENCE GUIDE.
- WHEN LAPTOP IS DOCKED, THE BATTERY WILL ONLY CHARGE BETWEEN -2°C to 60°C (28°F to 140°F). PLEASE REFER TO PANASONIC TOUGHBOOK 54 or 55 OWNER'S MANUAL FOR MORE INFORMATION.

Before Beginning

Precautions/Précautions

- Do not place metal objects or containers of liquid on top of the Docking Station
- If a malfunction occurs, immediately unplug the Power Supply and remove the laptop
- Use only the specified Power Supply (Part # LPS-112) with this Docking Station
- Do not connect cables into ports other than what they are specified for
- Do not leave the Docking Station in a high temperature environment (greater than 85°C, 185°F) for a long period of time
- Ne placez pas d'objets métalliques ou de contenants avec des liquides sur la station d'accueil
- En cas de dysfonctionnement, débranchez immédiatement l'alimentation électrique et retirez l'ordinateur portable
- Utilisez uniquement l'alimentation électrique spécifiée (partie # LPS-112) avec cette station d'accueil
- Ne pas connecter les câbles dans des ports autres que ceux spécifiés
- Ne laissez pas la station d'accueil dans un environnement à température élevée (plus de 85°C, 185°F) pendant une longue période

Specifications

Power Supply Input	15.6 V DC-In
Dimensions	14.1" (35.8 cm) W x 13.7" (34.8 cm) D x 3.0" (7.6 cm) H
Weight	5.4 lbs. (2.5 kg)
Operating Environment	-20° C to 60° C (-4° F to 140° F)
Storage Environment	-40° C to 85° C (-40° F to 185° F)

EU DECLARATION OF CONFORMITY [CWN1]

Manufacturers Name: Havis, Inc.

Manufacturers Addresses: 470995 Mile, Plymouth Twp, MI 48170 USA
75 Jacksonville Road, Warminster, PA, 18974, USA

This declaration of conformity is issued under the sole responsibility of the manufacturer.

Product name: Docking Station For Panasonic TOUGHBOOK 54 and 55

Model: DS-PAN-4XY-Z, where 'X, Y, Z' may be any alphanumeric character and which describes product options. May be followed by any alphanumeric characters which describe product options.

Product Options: This declaration covers all options of the above product which bear the CE Marking.

Is in conformity with the following directives, standards, or other normative documents:

UN ECE Regulation 10 UNECE Regulation 10.05, Paragraph 3.2.9; Clauses 6.5, 6.6, 6.7, 6.9; "Uniform provisions concerning the approval of vehicles with regard to electromagnetic compatibility"

EMC Directive 2014/30/EU EN 50498:2010, "Electromagnetic compatibility (EMC) - Product family standard for aftermarket electronic equipment in vehicles"

RoHS Directive 2011/65/EU EN 50581:2012, "Technical documentation for the assessment of electrical and electronic products with respect to the restriction of hazardous substances"

The object of the declaration described above is in conformity with Directive 2011/65/EU of the European Parliament and [CWN2] of the Council of 8 June 2011 on the restriction of the use of certain hazardous substances in electrical and electronic equipment.

Supplementary Information:

The object of the declaration described above is in conformity with the relevant Union harmonization legislation. This product requires the use of a recommended E Marked automotive power supply when used within vehicles.

Signed for and on behalf of Havis, Inc:

407995 Mile, Plymouth Twp, MI 48170, USA

August 13, 2019

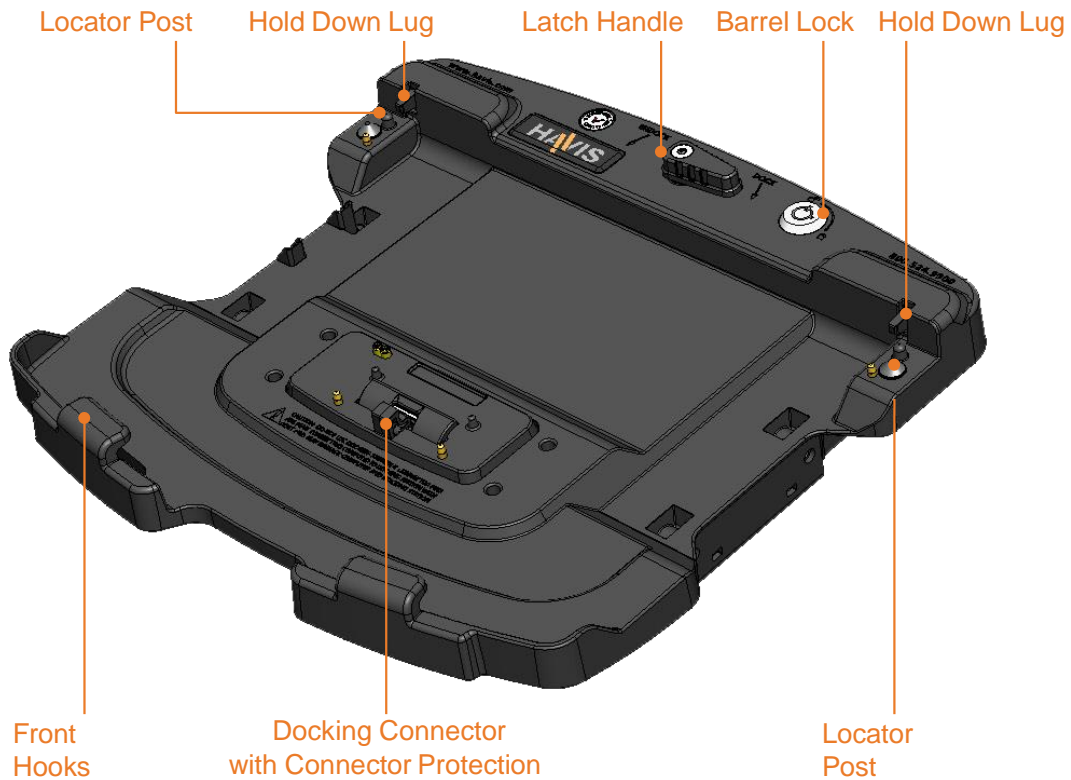
Bruce Jonik, Director of Engineering, Havis, Inc.

FCC 47CFR, Part 15 compliance:

This is an FCC Class B device. Any changes or modifications to the model DS-PAN-4XY-Z not expressly approved by Havis, Inc. could void the user's authority to operate this equipment.

Parts Included

Docking Station



Mounting Bracket (PN-0034-SM)

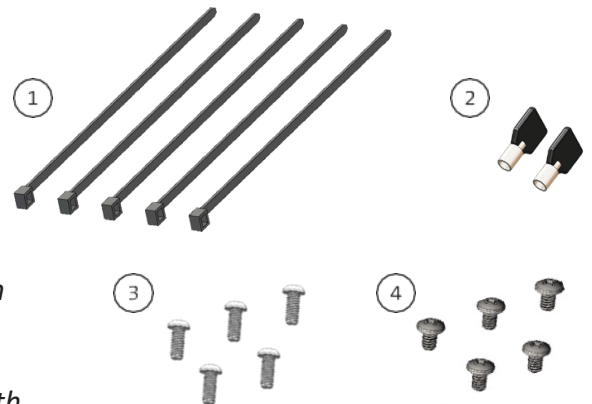
Numerous hole patterns present in the Mounting Bracket will accommodate Havis Motion Devices as well as most competitors'



Hardware Kit (HWK-0036)

This Hardware Kit includes:

1. Zip Ties (5)
2. Keys (2)
3. 1/4"-20 x 5/8" long Button Head Screws (5)
4. Phillips 1/4"-20 x 3/8" long Screws (5)

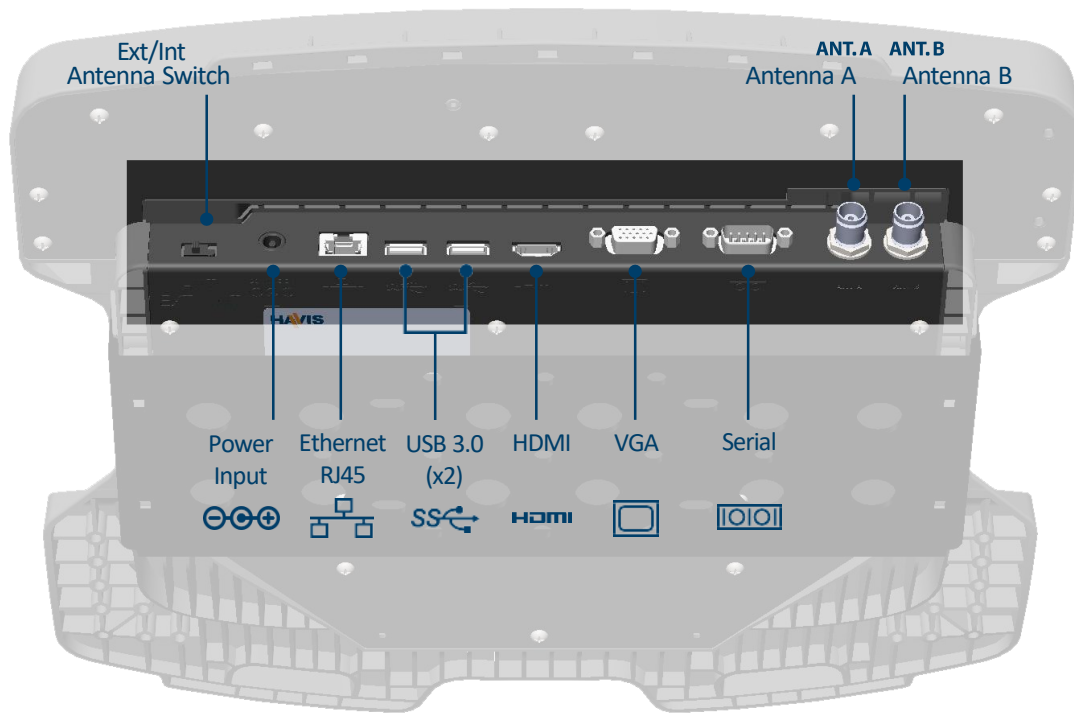


Tools required for installation:

- 5/32" Hex Drive
(For attaching Mounting Bracket to Motion Device with Button Head 1/4"-20 Screws)
- #3 Phillips
(For attaching Docking Station to Mounting Bracket with Button Head 1/4"-20 Screws)

Port Replication Capability (DS-PAN-431, DS-PAN-431-2, DS-PAN-432, DS-PAN-432-2)

NOTE: Antennas only available on select Docking Station models (DS-PAN-431-2, DS-PAN-432-2)



To expand your available USB & Ethernet peripheral requirements, there are provisions for mounting a Havis Rugged Communications Hub (part number DS-DA-602) directly to the DS-PAN-430 Series Docking Station. (See "Optional Accessories" section for more information)

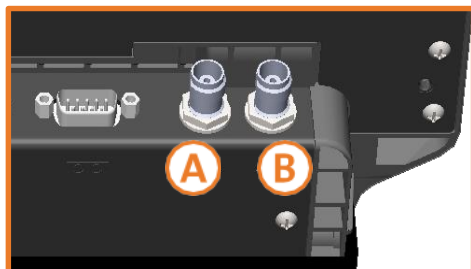


Antenna Identification (DS-PAN-431-2, DS-PAN-432-2)

A - Lower

B - Upper

Antenna Connectors (TNC)

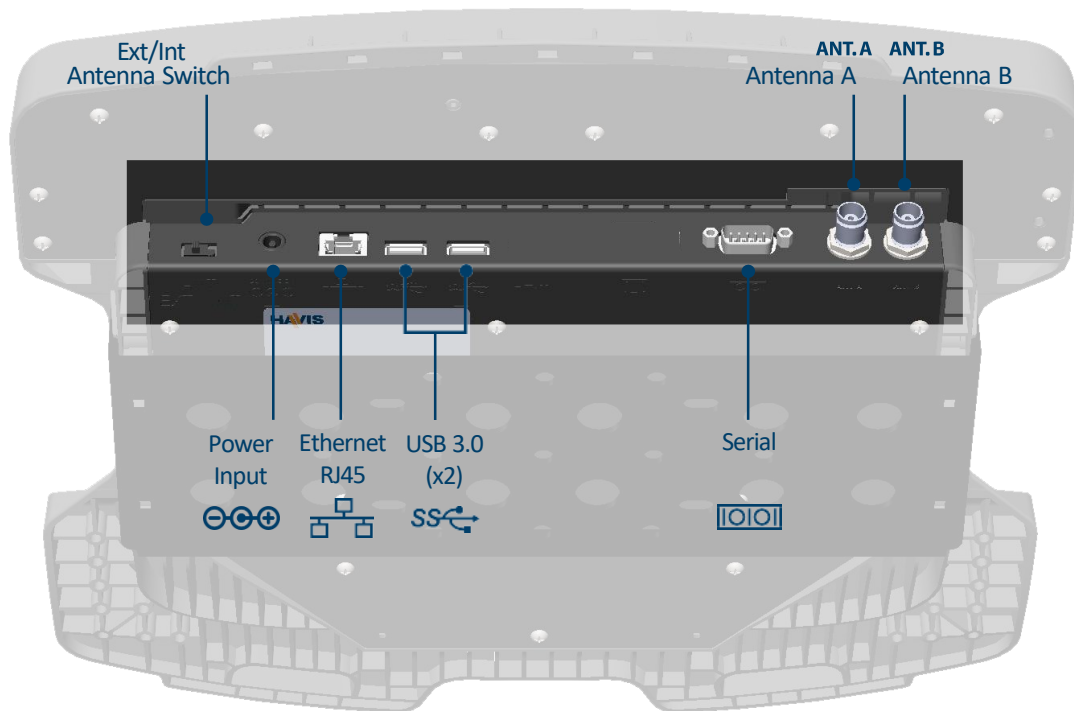


Docking Station Antenna Interface



Port Replication Capability (DS-PAN-434, DS-PAN-434-2, DS-PAN-435, DS-PAN-435-2)

NOTE: Antennas only available on select Docking Station models (DS-PAN-434-2, DS-PAN-435-2)



To expand your available USB & Ethernet peripheral requirements, there are provisions for mounting a Havis Rugged Communications Hub (part number DS-DA-602) directly to the DS-PAN-430 Series Docking Station. (See "Optional Accessories" section for more information)

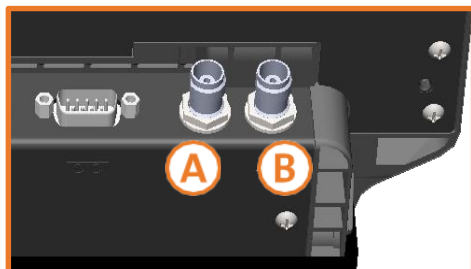


Antenna Identification (DS-PAN-434-2, DS-PAN-435-2)

A - Lower

B - Upper

Antenna Connectors (TNC)



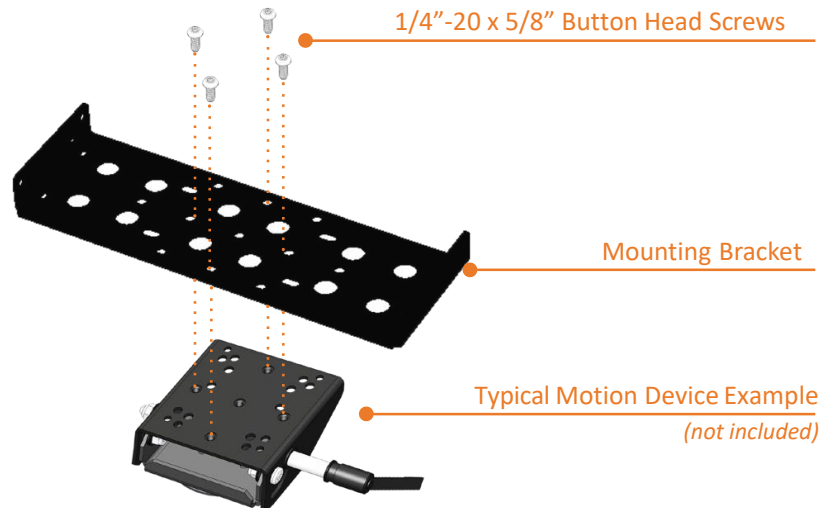
Docking Station Antenna Interface



Installation

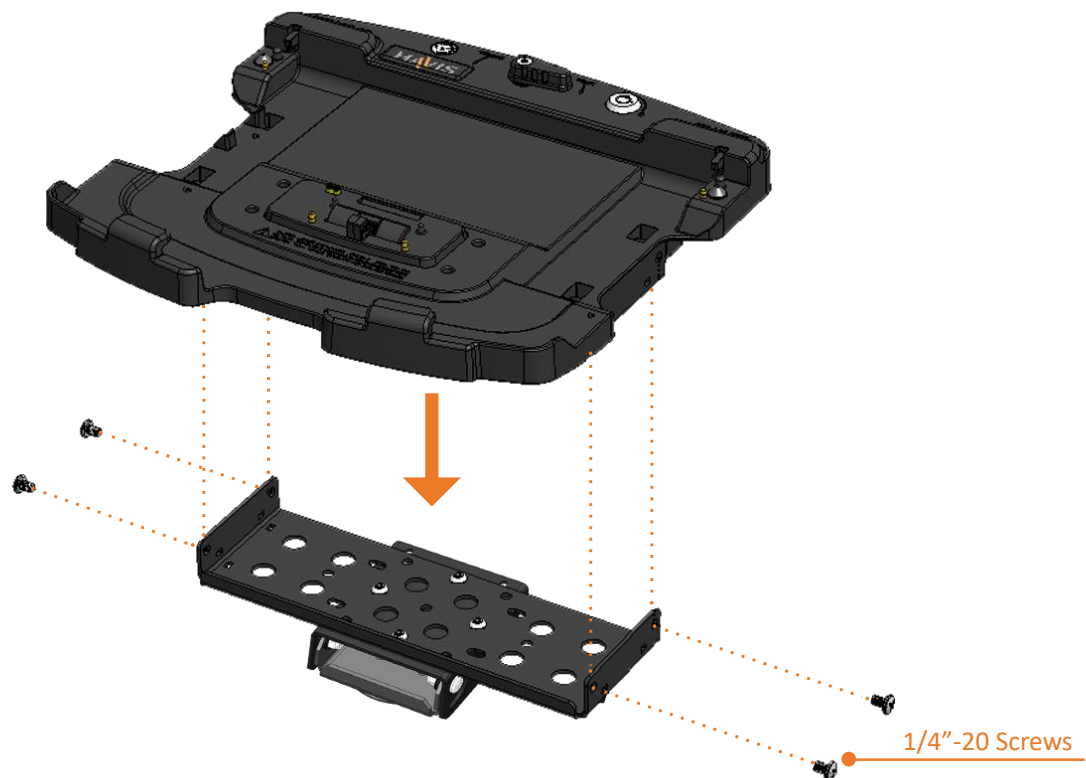
- 1) Remove the Mounting Bracket from the packaging. Install the Mounting Bracket to the Motion Device using (4) 1/4"-20 x 5/8" long screws (Hardware Kit Item 3). Torque screws to 80 in-lbs (9.0Nm) \pm 10%.

NOTE: Numerous hole patterns present in Mounting Bracket will accommodate Havis Motion Devices as well as most competitors'



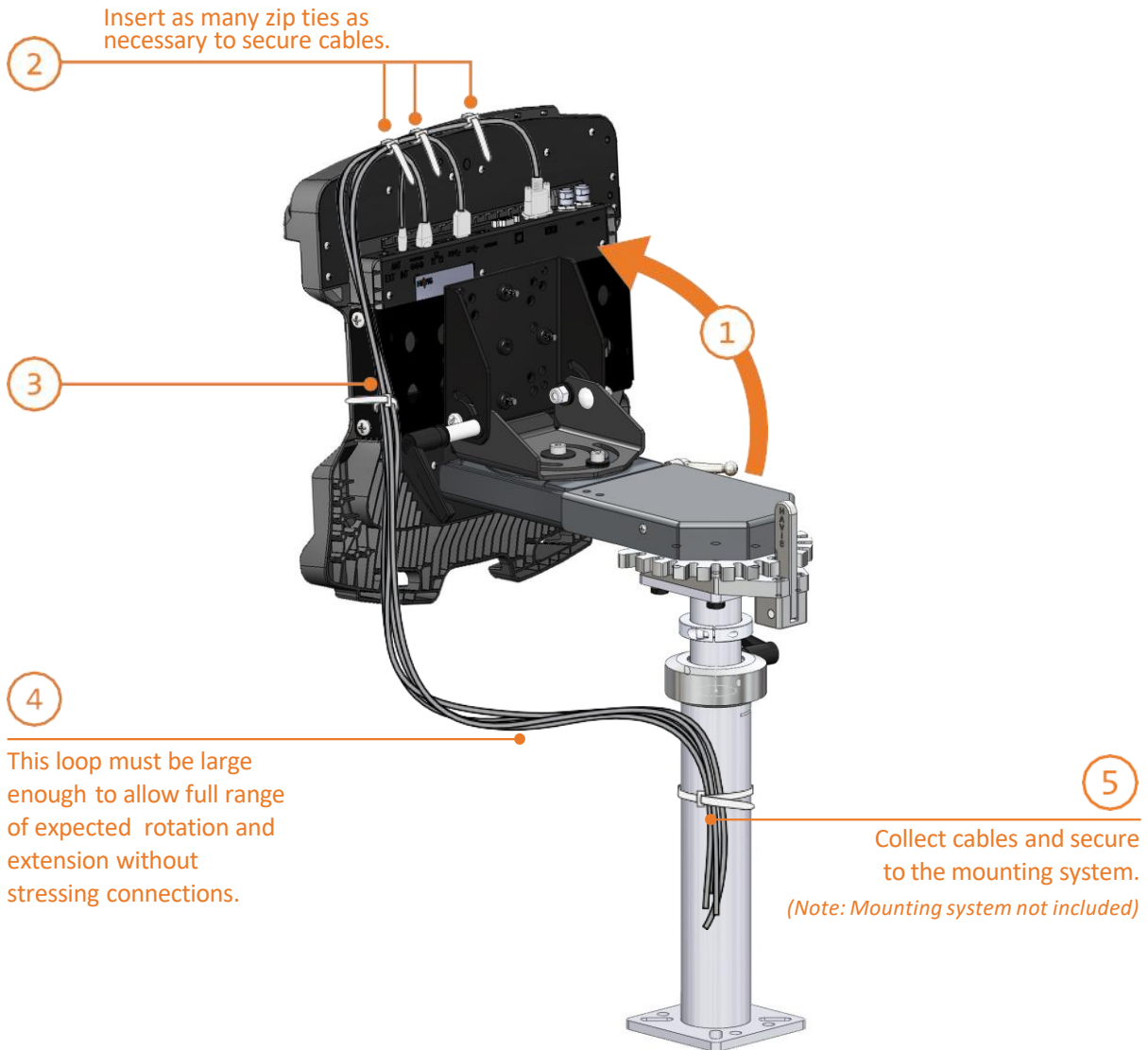
NOTE: We recommend applying a drop of medium strength (blue) thread locking adhesive to the threads of all fasteners.

- 2) Lower the Docking Station to the Mounting Bracket as shown. Secure with (4) 1/4"-20 x 3/8" long screws (Hardware Kit Item 4). Torque screws to 80 in-lbs (9.0 Nm) \pm 10%.



Cable Management

- 1) Tip the Docking Station to a position that is comfortable to work with.
- 2) Install all cables that are necessary for computing needs. Use Zip Ties (Hardware Kit Item 1) to strain relieve cables at rear of Docking Station.
- 3) Route all cables along one side to ensure proper cable management and avoid pinching any cables. Strain relieve the entire cable bundle to one of the strain relief points along the corners of the Mounting Bracket to prevent tension on the connectors.
- 4) Create a service loop with cables to ensure that no tension is on the connectors and to enable intended motion.
- 5) Tie off cables onto a stationary part of the mounting system.

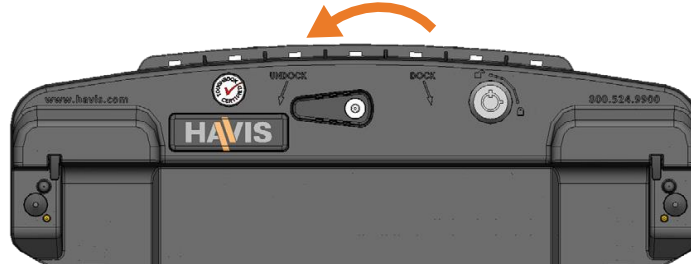


Operation - Docking

CAUTION

DO NOT FORCE LAPTOP ONTO DOCKING STATION. IF THERE IS RESISTANCE, CHECK ALIGNMENT OF COMPUTER ON DOCKING STATION.
NE FORCEZ PAS L'ORDINATEUR SUR LA STATION D'ACCUEIL. EN CAS DE RÉSISTANCE, VÉRIFIEZ SI VOTRE L'ORDINATEUR EST CORRECTEMENT CONFIGURÉE POUR LA STATION D'ACCUEIL.

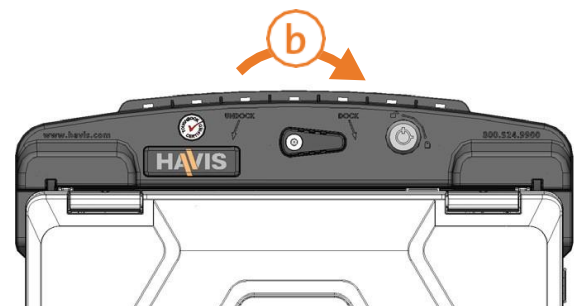
- 1) Ensure Docking Station is unlatched by positioning the Latch Handle to the “UNDOCK” position.



- 2) With rear of computer elevated, load front of computer into Docking Station ensuring the computer's handle extends under the Front Hooks. Take care to center computer in Docking Station when lowering.

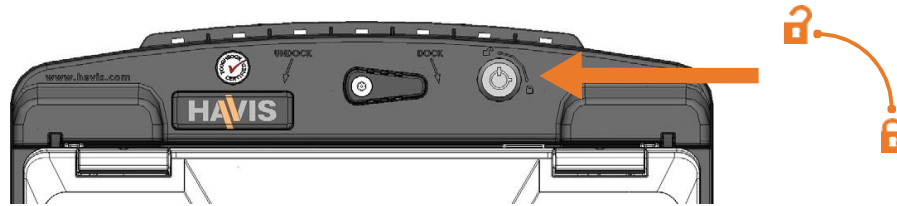


- 3) Lower back of computer onto Docking Station, ensuring computer properly aligns with both Locator Posts in Docking Station. With computer seated on Docking Station, (a) apply light downward pressure to the rear of computer and, (b) rotate Latch Lever to DOCKED position.

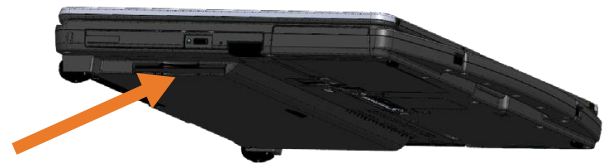


Operation - Docking (continued)

- 4) For theft deterrence, secure computer by locking Docking Station with supplied key (Hardware Kit Item 2).

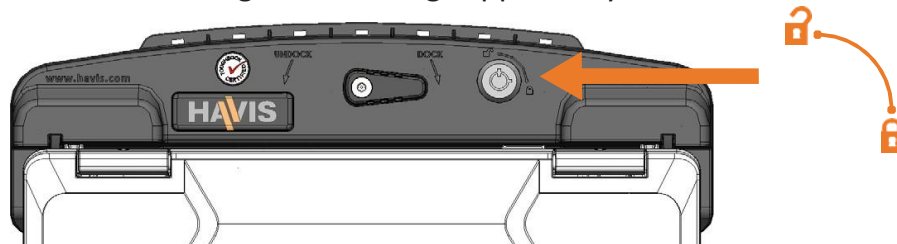


Docking Station will accommodate all TOUGHBOOK 54 and 55 models, providing access to bottom SmartCard reader while computer is secured in the Docking Station.

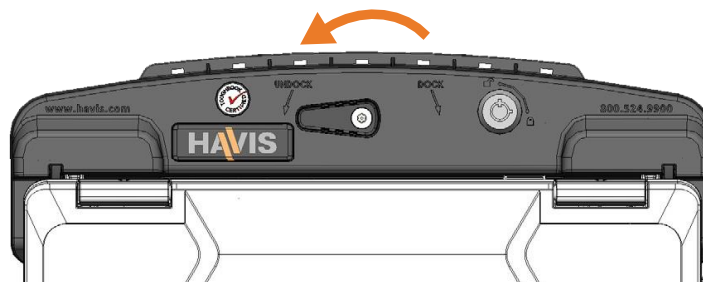


Operation - Undocking

- 1) If previously locked, unlock Docking Station using supplied key.



- 2) Rotate Latch Handle counter-clockwise to the "UNDOCK" position.



- 3) Once unlatched, grab both sides of the computer and carefully lift it out of Docking Station, rear end first.

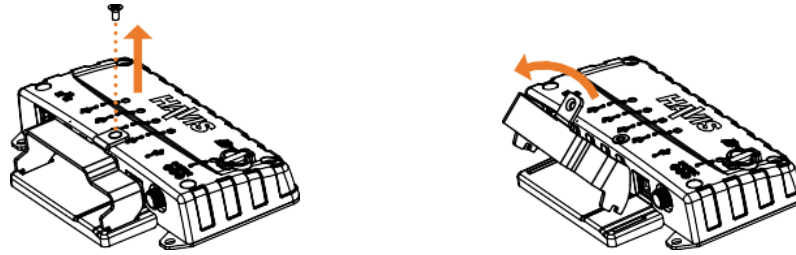


Optional Accessories

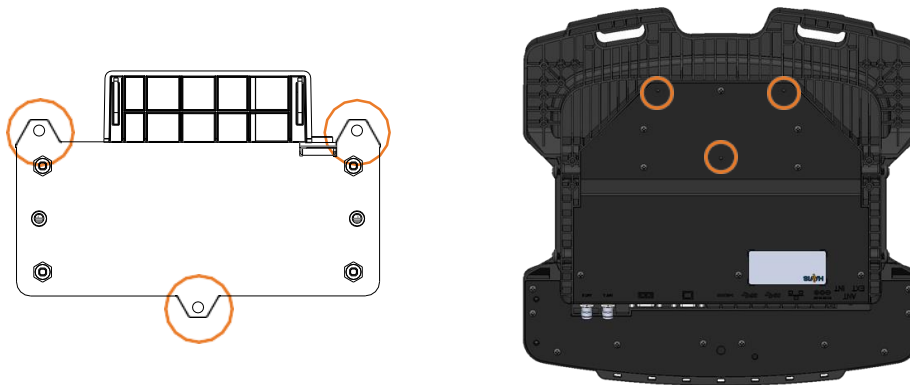
DS-DA-602 - Rugged Communications Hub

(For further Installation Instructions, refer to the Instructions included with DS-DA-602)

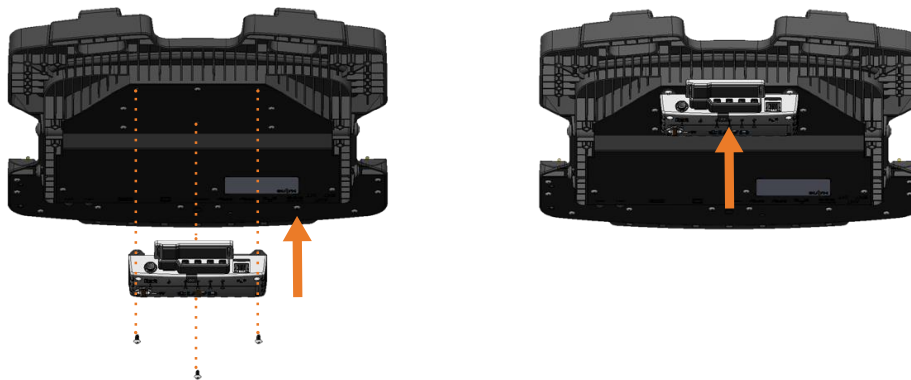
- 1) Remove Strain Relief Bracket from Rugged Communications Hub, and retain fastener for reassembly.



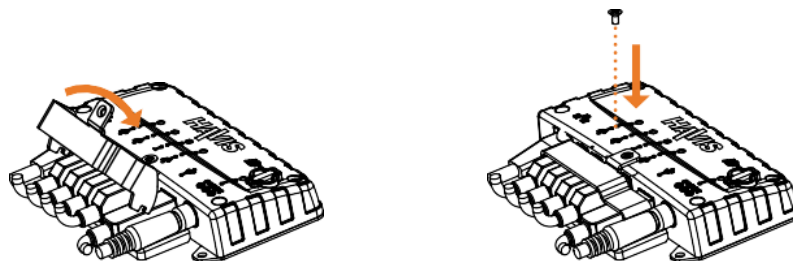
- 2) Identify the three (3) mounting points on the Rugged Communications Hub and the three (3) mounting points on the bottom of the Docking Station.



- 3) Secure the Rugged Hub to the bottom of the Docking Station using three (3) #6-32 x 1/4" long Thread-Forming, Pan Head Screws (DS-DA-602 Rugged Communications Hub Hardware Kit Item 4b). Torque screws to 14 in-lbs \pm 10%



- 4) Connect all required cables then reinstall the Strain Relief Bracket with the retained fastener from Step 1.

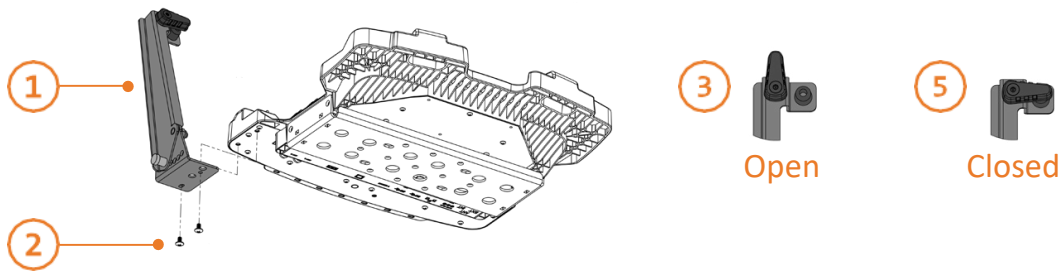


Optional Accessories *(continued)*

DS-DA-417 - Screen Support

(For further Installation Instructions, refer to the Instructions included with DS-DA-417)

- 1) Position the Screen Support bracket so the mounting holes line up with threaded holes at bottom (rear left corner) of Docking Station.
- 2) Install two (2) #8-32 x 3/8" screws through the bracket and into Docking Station. Torque screws to 20 in-lbs \pm 10%.
- 3) Dock the computer into the Docking Station and open display latch on Screen Support.
- 4) Open computer screen to meet the stop bumper on Screen Support.
- 5) Press slightly on top left corner of computer screen while closing the display latch of Screen Support over the computer screen.
- 6) While pulling on knob of adjustment pin, adjust arm of Screen Support with screen to desired position.



Related Products

Havis offers a wide variety of accessory products specifically for use with the DS-PAN-430 Series Docking Station. For more information or to order, please visit www.havis.com.



LPS-112 *120W Power Supply*

External power supply and cable for Panasonic Toughbook 54 and 55 with cigarette lighter adaptor.



LPS-211 *Power Supply Mounting Bracket*

Mount a power supply or USB hub directly to your Docking Station with this versatile bracket.



DS-DA-417 *Screen Support*

Secure your laptop screen to prevent excess wear and reduce vibration while in use.



DS-DA-226 *Card Reader Mounting Bracket*

Mount an E-Seek Model 250 card reader to the side of the Docking Station. *(Bracket can be customized for other Card Reader Models)*



DS-DA-501 *Replacement Keys*

Set of two (2) replacement keys for the DS-PAN-430 Series Docking Stations.



DS-DA-602 *Rugged Communication Hub*

Rugged USB/Ethernet hub makes adding peripherals to your mobile workspace easy and safe.