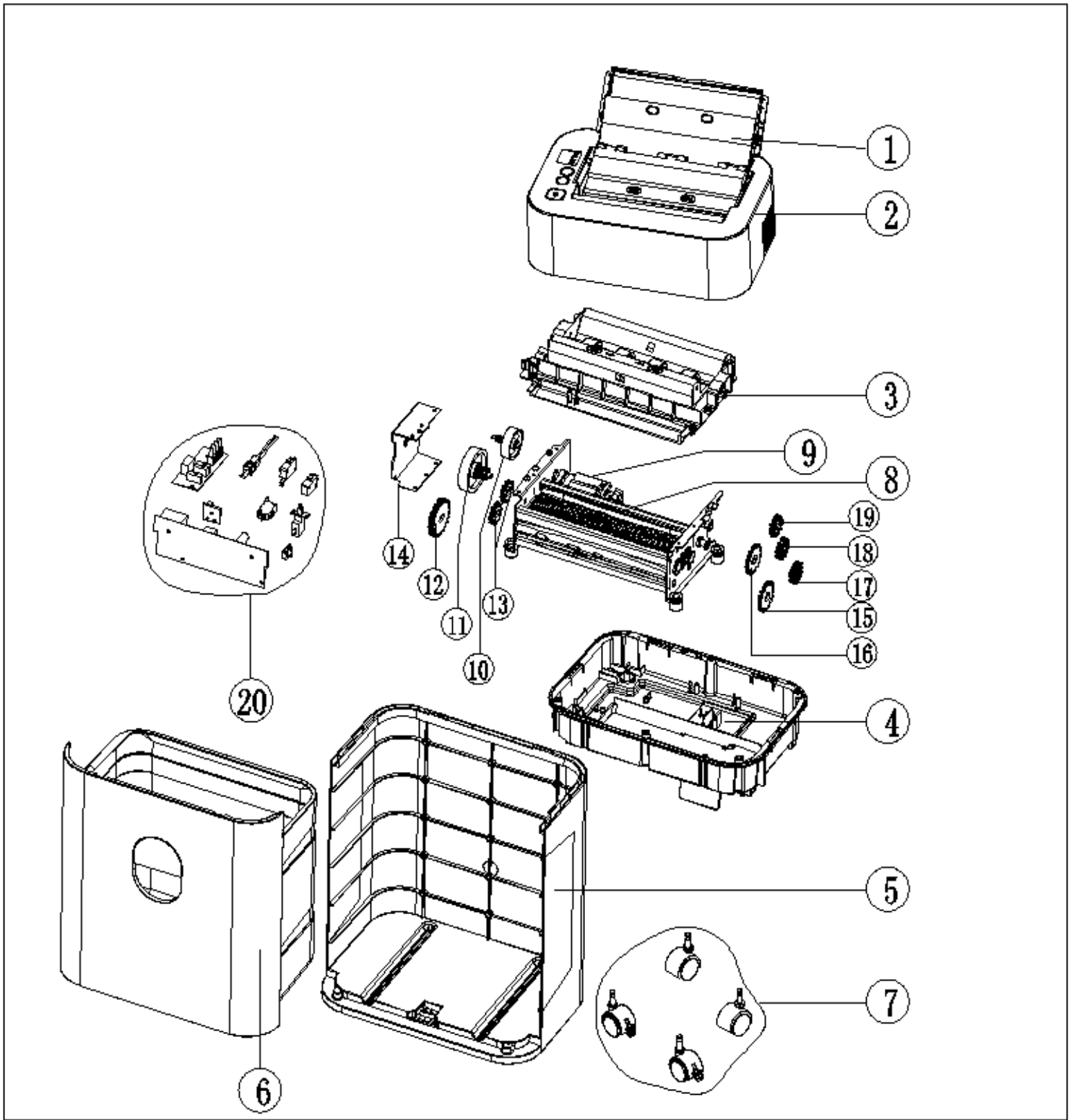


# HP AF1009 Exploded Drawing & Parts List



Item	Description	Part Qty	Item	Description	Part Qty
1	Tray holder	1SET	13	Gear#7,#8	2PCS
2	Top housing	1PC	14	Gear Cover	1PC
3	Guiding mechanism for auto feed	1SET	15	Gear#9	1PC
4	Bottom housing	1PC	16	Gear#10	1PC
5	Bin Plate set	1PC	17	Gear#11	1PC
6	Receptacle	1SET	18	Gear#12	1PC
7	Caster set $\phi$ 30mm	4PCS	19	Gear#13	1PC
8	Cutter Assembly	1SET	20	PCB Assembly set & AC cord set	1SET
9	Motor	1PC	21	Giftbox	1PC
10	Gear#2,#3	1SET	22	PO bags	1SET
11	Gear#4,#5	1SET	23	Egg crate	1SET
12	Gear#6	2PCS	24	Manual, UL label, Jewel logo label, warning labels	1SET