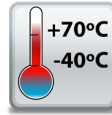


SW-525 Industrial 5 Port PoE+ 10/100 Ethernet Switch

5 Port (Ports 1-4 PoE+) Unmanaged 10/100 Ethernet Switch DIN Mountable

- 5 port PoE+ 10/100 Fast Ethernet device
- Ports 1-4 PoE+ capable
- Fully compliant to IEEE 802.3af/at
- PoE Power Budget: 90W @ 70°C between all 4 PoE ports simultaneously
- Industrial temp range: -40°C to +70°C
- Redundant dual power inputs: +44V to +57V DC
- Compact design with integral DIN mount
- Allows power and data to be combined on the same Ethernet cable



Send power and data to remote CCTV cameras, PoE telephones, PoE Wifi access points, NVRs, and more



Non conducting polyamide casing with removable numbered power terminal for easy wiring



Integral DIN mount and slim design takes up minimal cabinet space

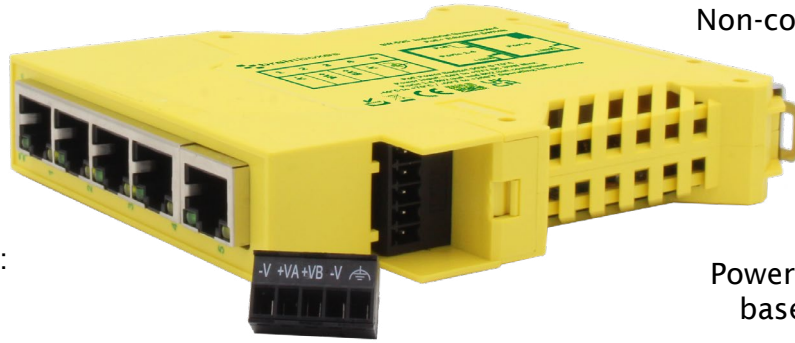
SW-525

Industrial 5 Port PoE+ 10/100 Ethernet Switch

90W PoE Power Budget shared between 4 Ethernet Ports

-40°C to +70°C/-40°F to +158°F temperature range

Ports 1-4 IEEE 802.3af/at compliant: deliver up to 30W to each port (backwards compatible)



Non-conducting polyamide case

Integral DIN mount with ground

Automatic detection of data transmission speed: 10 or 100 MBps

Power consumption is optimised based on the status of the link device

2k Byte maximum packet size – improves the efficiency of bulk data transfer and system performance

Easy Wire Removable screw terminal block

Dual redundant power input: +44VDC to +57VDC

Connectors

Screw Terminals

3.5mm pitch, #22 - #14, 0.5mm²-2.5mm² pin power supply

Wire Thickness

0.150 inch, 3.81mm, 20 pins, 12+8 screw terminals, #26 - #16 AWG, 0.14mm²-1.3mm²

Power Supply

Ports 1-4 IEEE 802.3af/at compliant: deliver up to 30W to each port (backwards compatible)

Power Consumption

4 Watts Max : 91mAmps@+44VDC/70mAmps@+57VDC

PoE Power Budget

90W @ 70°C

Power Supply input

Unregulated +44V to +57Volts DC, reverse polarity protection

Isolation

1500VRMS Magnetic isolation from Ethernet

Environmental

Operating Temperature

-40°C to +70°C/-40°F to +158°F

Storage Temperature

-40°C to +70°C/-40°F to +158°F

Ambient Relative Humidity

5 to 95% (non-condensing)

Magjack LED Information

Link/Activity LED

Solid green	Connection established
Flashing Green	Data communication

PoE Power LED (Ports 1-4)

Solid Yellow	PoE Power ON
Flashing Yellow	Power Warning

Ethernet

Ethernet Port

5 x RJ45 jack, 10/100Mhz autosensing, crossover auto sensing (Auto MDIX)

Protection

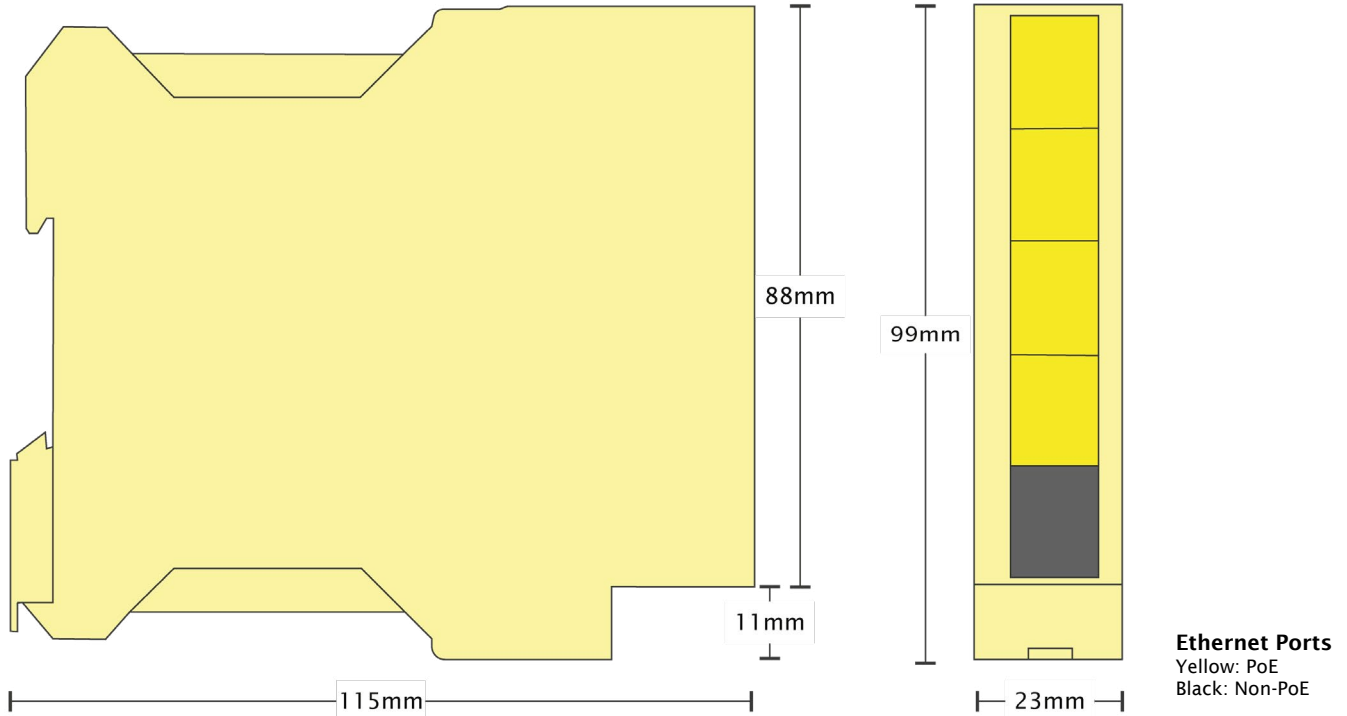
1,500 Volts magnetic isolation between ports

Housing

IP-20 rated non-conducting polyamide case

SW-525

Industrial 5 Port PoE+ 10/100 Ethernet Switch



Ethernet Ports x4 Pin Outs

PoE Pinout 1/2(V+) 3/6(V-) Endspan Mode A

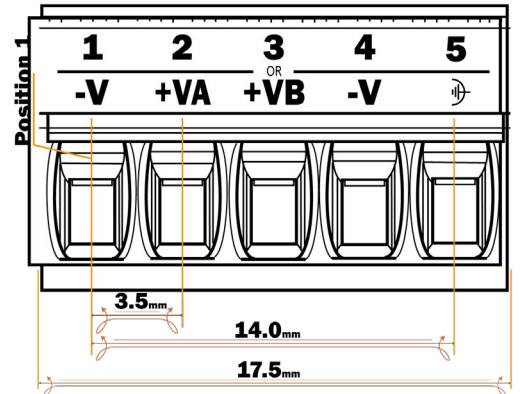
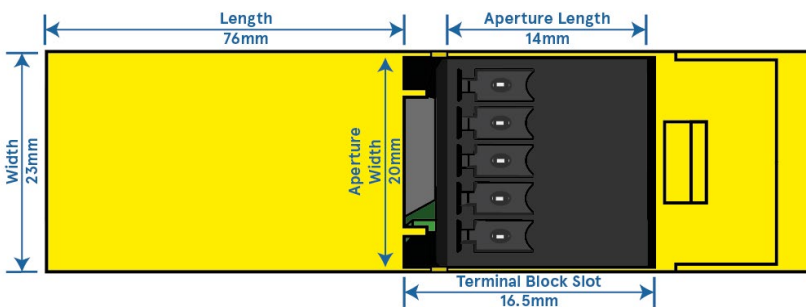
PIN	FUNCTION	
1	Tx+	DC+
2	Tx-	DC+
3	Rx+	DC-
4	unused	
5	unused	
6	Rx-	DC-
7	unused	
8	unused	

Power Terminal Pin Outs

PIN	FUNCTION
1	-V
2	+VA
3	+VB
4	-V

5 position 3.5mm pitch pluggable terminal block included

5 position 3.5mm pitch socket compatible with Euroblock pluggable terminal block connectors



Lifetime Warranty and Support:

We can help with every aspect of your project, from getting you up and running to custom application.

SW-525 Industrial 5 Port PoE+ 10/100 Ethernet Switch

Product Information

Product Weight 0.124 kg, 4.37 ounces
 Product Dimensions 120x100x10 mm, 4.7x3.9x0.4 inches

Packaging Information

Packaging Quick Start Guide, Device
 Packaged Weight 0.226 kg, 7.97 ounces
 Packaged Dims 160x135x49 mm, 6.3x5.3x1.9 inches
 GTIN Universal Code 837324004533

Industry Approvals

Microsoft Certified Gold Partner, WEEE, RoHS, AEO (C-TPAT), CE, UKCA, METL Complies with UL62368-1
 HTS 8517620000
 ECCN 5A991.b
 CAGE 8QCY6

Warranty

Support

Lifetime - online registration required
 Lifetime Web, Email & Phone Support from fully qualified, friendly staff who work in and alongside the Product Development Team

Standards

OEM option

COO (Country of Origin)

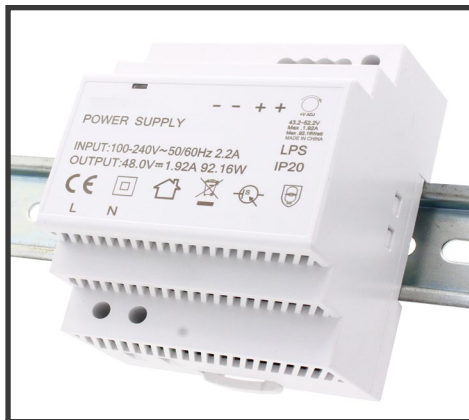
Made In

Customisable

ISO9001, ISO14001
 Available for bulk buy OEM
 GB
 Manufactured in GB by Brainboxes
 Brainboxes operate a 'Perfect Fit Custom Design' policy for volume users
 More info:sales@brainboxes.com



PW-323 PoE Splitter



PW-301 DIN Rail Power Supply



SW Range
 Switch products available in a range of formats and specifications.
www.brainboxes.com