



## Ideal for

- Emergency Communications
- FirstNet/First Responders
- Transportation/Fleet
- Remote Locations

## Golden Retriever

### Emergency Mobile Hot Spot

Up to 5 in 1



- WI-FI 6
- 2x2 MIMO LTE
- 2x2 MIMO WI-FI
- GPS /GNSS
- IP67 RATED

## Features

- PORTABLE CASE
- 698-3800MHZ\*
- HIGH EFFICIENCY
- HIGH PERFORMANCE

\*See inside for details



## Product Description

The Golden Retriever is a portable case with an integrated 5-in-1 antenna built into the case lid. It is available with MIMO LTE, MIMO Wi-Fi and GPS embedded into a convenient carrying case.

This compact, portable case with an integrated antenna built in is perfect for a wide variety of mobile communications.

The Golden Retriever is a virtual portable office in a box, with the addition of a wireless router and battery. You can have on the go connectivity wherever you are.

**Patent pending.**



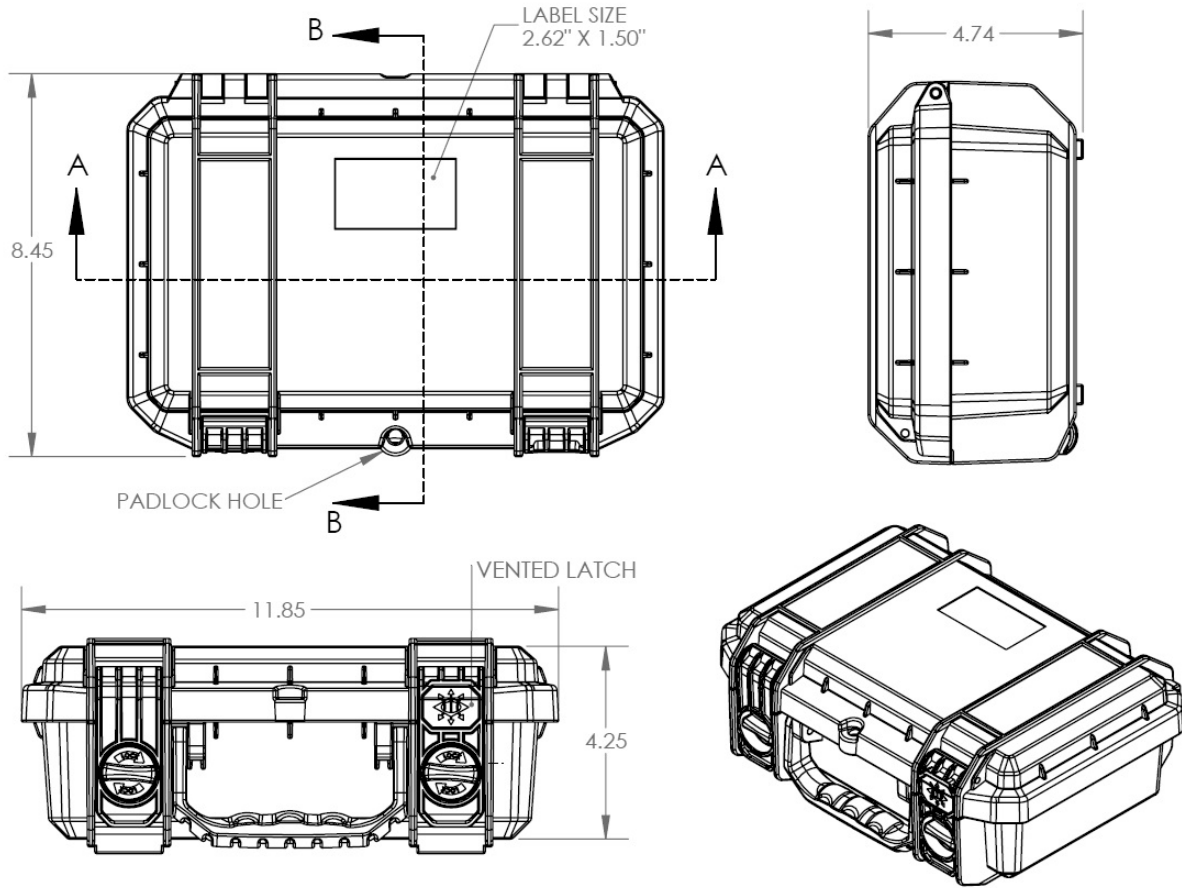
## Frequency Ranges

<i>LTE Frequency Range</i>	<i>Wi-Fi Frequency Range</i>
698 - 960 MHz	2400 - 2483.5 MHz
1710 - 2200 MHz	4900 - 5900 MHz
2300 - 2700 MHz	
3300 - 3800 MHz	

## Specifications

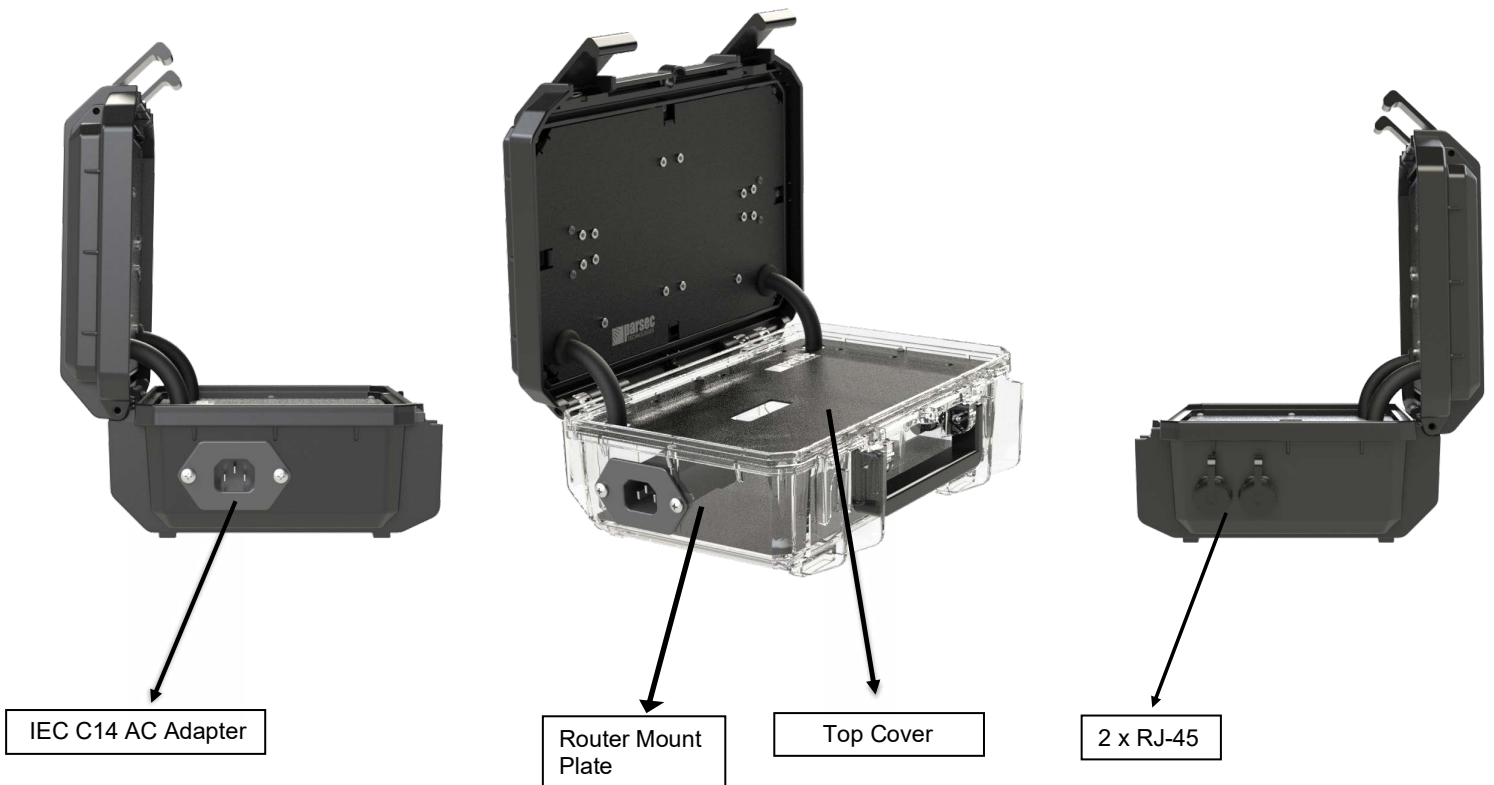
<b>LTE Bands (US Carriers)</b>	
<b>AT&amp;T</b>	2, 4, 5, 12, 14, 17, 29, 30, 46, 48, 66
<b>Verizon</b>	2, 4, 5, 13, 46, 48, 66
<b>T-Mobile</b>	2, 4, 12, 25, 26, 41, 46, 48, 66
<b>Mechanical</b>	
<b>Dimensions</b>	11.9" x 8.5" x 4.8"
<b>Internal Dimensions (LxWxH)</b>	10.6" x 6.1" x 3.9"
<b>Lock Hole Diameter</b>	0.3 inch
<b>RF Cable Length</b>	1-foot cables
<b>Environmental</b>	
<b>Operating Temperature</b>	-40°C to 85°C
<b>Ingress Protection</b>	IP67 capability on some configurations when lid is closed

## Product Dimensions



## Product Images

PRO5GR2L2WG-L



\*Clear cases for display purposes only.

# Product Images Continued

## PRO5GR2L2WG-A



IEC C14 AC Adapter



Router Mount Plate

Top Cover



## PRO5GR2L2WG-G



Vent

USB-A Adapter

USB-C Charging Port



Battery Tray

Router Mount Plate

Top Cover



2 x RJ-45

Fan

\*Clear cases for display purposes only.

# Electrical Specifications

ID	Port	Parameters	Units	Typ.
<b>Radiated Efficiency</b>	LTE-1,2	698 – 960 MHz		75
	LTE-1,2	1710 – 2200 MHz		85
	LTE-1,2	2300 – 2700 MHz		80
	LTE-1,2	3300 – 3800 MHz	%	75
	GPS	1575.42MHz		80
	Wi-Fi-1,2	2400 – 2483.5 MHz		75
	Wi-Fi-1,2	4900 – 5900 MHz		75
<b>Peak Gain</b>	LTE-1,2	698 – 960 MHz		2.5
	LTE-1,2	1710 – 2200 MHz		6.9
	LTE-1,2	2300 – 2700 MHz		7.2
	LTE-1,2	3300 – 3800 MHz	dBi	6.2
	GPS	1575.42MHz		6.0
	Wi-Fi-1,2	2400 – 2483.5 MHz		5.8
	Wi-Fi-1,2	4900 – 5900 MHz		7.9
<b>Return Loss (50 Ω)</b>	LTE-1,2	698 – 960 MHz		8
	LTE-1,2	1710 – 2200 MHz		12
	LTE-1,2	2300 – 2700 MHz		12
	LTE-1,2	3300 – 3800 MHz	dB	12
	GPS	1575.42MHz		12
	Wi-Fi-1,2	2400 – 2483.5 MHz		14
	Wi-Fi-1,2	4900 – 5900 MHz		9
<b>Isolation</b>	LTE-1 to 2	698 – 960 MHz		15
	LTE-1 to 2	1710 – 2700 MHz		21
	LTE-1 to 2	3300 – 3800 MHz	dB	21
	Wi-Fi-1,2	2400 – 2483.5 MHz		15
	Wi-Fi-1,2	4900 – 5900 MHz		18
<b>Polarization</b>	LTE, Wi-Fi GPS			Linear RHCP
<b>Max Input Power</b>	LTE, Wi-Fi		Watts	5
<b>GNSS Preamp Gain</b>	GPS		dB	28
<b>GNSS Preamp Voltage</b>	GPS		V	2.2 to 5.0
<b>RF Connectors</b>	LTE, GPS Wi-Fi			SMA(M) RP-SMA(M)
<b>Cables</b>	LTE, Wi-Fi GPS			RG316 LSR100
<b>Notes:</b>				
1. Electrical specifications based on antenna mounted inside the Seahorse 230 Protective Case				
2. Isolation does not include cable loss.				

# Ordering

Our Golden Retriever antenna consists of a protective case with an antenna built into the lid.

## Standard Case Antenna

Configurations	Part Number	Description
5:1	PRO5GR2L2WG	2 LTE, 2 Wi-Fi, GPS, Black case with antenna built into lid.

## Non-Standard Case Antennas

Configurations	Part Number	Description
5:1	PRO5GR2L2WG-L	2 LTE, 2 Wi-Fi, GPS, Black case with antenna built into lid with AC adapter (see antenna options for description).
5:1	PRO5GR2L2WG-A	2 LTE, 2 Wi-Fi, GPS, Black case with antenna built into lid with AC adapter (see antenna options for description).
5:1	PRO5GR2L2WG-G	2 LTE, 2 Wi-Fi, GPS, Black case with antenna built into lid with Chargtech 20k battery ( <b>Battery not included</b> ) (see antenna options for description).

## Part Number Key

Part number example of a 5:1 Golden Retriever antenna PRO5GR2L2WG

Description	Abbreviation	Part Number
All PRO Series	PRO	PRO
Number of antennas in housing/configuration	5:1	PRO5
Antenna abbreviation for Golden Retriever	GR	PRO5GR
Number of LTE Elements	#L	PRO5GR2L
Number of Wi-Fi Elements	#W	PRO5GR2L2W
Number of GPS Elements (usually only 1 GPS per antenna, therefore we simply list G and no number)	G	PRO5GR2L2WG
Router Mount Plate		PTA0392
Optional L version – Options listed below.	-L	PRO5GR2L2WG-L
Optional A version – Options listed below.	-A	PRO5GR2L2WG-A
Optional G version – Options listed below.	-G	PRO5GR2L2WG-G

## Antenna Options

Options	Antennas		
	PRO5GR2L2WG-L	PRO5GR2L2WG-A	PRO5GR2L2WG-G
PRO5GR2L2WG	YES	YES	YES
FAN	NO	NO	YES
A/C Adapter	YES	YES	NO
USB-C Charging Port	NO	NO	YES
1x USB-A Adapter	NO	NO	YES
RJ-45 Connectors	2	0	2
Router Mount Plate	YES	YES	YES
Top Cover	YES	YES	YES
Battery Tray	NO	NO	YES

Notes: **Battery, router, and SIM card are not included.** Customers should contact Parsec's authorized distributors and VAR's listed on our website for a full list of routers and other options that will complete the Emergency Hot Spot.

**SMA connectors have a max torque of 3-5 inch lbs.**

## Additional Items

### PRO5GR2L2WG-L

<b>Provided by Parsec</b>	Ethernet cord (2)
<b>To be purchased by customer</b>	<ul style="list-style-type: none"> <li>-Additional ethernet cords (2)</li> <li>-Router and power supply for router</li> <li>-SIM card</li> <li>-Power cord for case, 10A, 125V AC, straight blade male plug x straight blade female socket*</li> </ul>

### PRO5GR2L2WG-A

<b>To be purchased by customer</b>	<ul style="list-style-type: none"> <li>-Router and power supply for router</li> <li>-SIM card</li> <li>-Power cord for case, 10A, 125V AC, straight blade male plug x straight blade female socket*</li> </ul>
------------------------------------	--

### PRO5GR2L2WG-G

<b>Provided by Parsec</b>	Ethernet cords (2)
<b>To be purchased by customer</b>	<ul style="list-style-type: none"> <li>-Additional ethernet cords (2)</li> <li>-Router and power supply for router</li> <li>-SIM card</li> <li>-Chargetech Portable Outlet 20k Battery (part number: PTA0511)**</li> </ul>

\*Power cord for case:



\*\* Battery:



Parsec Technologies  
972-804-4600  
support@parsec-t.com