



ET80/ET85 Rugged 2-in-1 Tablet

Accessory Guide

January, 2022



Contents

1. Accessory Overview
2. 2-in-1 Rugged Keyboard
3. Docking Solutions
4. Expansion & Input Solutions
5. Battery & Charging
6. Carrying & Protective Solutions



Unmatched comprehensive suite of accessories

Workflow options



Common Dock

- Vehicle
- Office
- Forklift



Expansion back

- Rotating hand strap
- Aux battery Slot



Friction Hinge
 Rugged Keyboard



Ethernet/ Serial: Tool-less
 Thumb-Screw
 Attach Option



AC Adapter USB-C

- AC cord sold separately



Expansion back Kickstand

- Can be added to ET80 / ET85 expansion back



Ethernet: Tool-less
 Thumb-Screw
 Attach Option



Stylus MPP 2.0



Expansion Back - CAC

- Aux battery slot
- Optional Kickstand sold separately

Carrying/Protective options



Handle with
 stylus holder



Rugged Boot
 with Attach Points for
 Straps / Handles



Stylus Tether



Shoulder Strap

Charging/Power options



Auxiliary Battery
 (For use with
 expansion back)



Internal Battery



4-Slot Battery Charger

ET8x Rugged Tablet Accessories

2-in-1 Keyboards

2-in-Rugged Keyboard

- Add to any ET80 or ET85 tablet for a true 2-in-1 laptop experience
- Friction hinge to set viewing angle to user preference
- IP65 dust and water sealing
- Works with Zebra docking solutions, rugged boot, and other accessories
- Large touchpad with ergonomic mouse buttons and Microsoft multi-finger gestures
- Extendable integrated handle for easy portability
- 82 full sized keys (19 mm)
- Multi-color backlit keyboard – color user programmable with provided application
- Five programmable buttons including emergency / SOS key
- Additional quick access button to blank keyboard backlight



Part Numbers:

Rugged 2-in-1 Keyboard

- KYB-ET8X-2IN1-US1-01 – US English
- KYB-ET8X-2IN1-UK1-01 – UK English
- KYB-ET8X-2IN1-FR1-01 – French
- KYB-ET8X-2IN1-ES1-01 – Spanish
- KYB-ET8X-2IN1-DE1-01 – German

ET8x Rugged Tablet Accessories

Docking Solutions

Docking Solutions: Vehicle Dock

- Comprehensive solution for vehicle installations
- Easy one-hand release allows for fast “grab and go” transitions between the vehicle, field and office
- Extensive port expansion
 - 2 USB 2.0 Type A
 - 2 USB 3.0 Type A
 - 3 Ethernet RJ45
- E-Mark certified for 12V vehicle systems
- Supports VESA 100x100 & 75x75 mounting patterns
- Works with or without keyboard, rugged boot, expansion backs and other Zebra accessories
- Tablet cameras, barcode reader and side connections accessible while mounted
- IP65 water and dust ingress protected
- Many components of docking system available separately and can be added in field
- Barrel lock with 2 keys
- No power adapter required for 12V vehicles
- Power Adapters and Cables sold separately



Part Numbers:

Vehicle Dock

CRD-ET8X-VEHDK1-01

Related Power Accessories

450143 CLA Cable

300039 Direct Connect Cable

450019 CLA DC converter for 24 V vehicles

450083 DC converter - Forklifts 9 – 60V

450084 DC converter - Forklifts 50 - 150 volts

Docking Solutions: Office Dock

- Comprehensive solution for office use and industrial situations
- Easy one-hand release allows for fast “grab and go” transitions between the field and office
- Extensive port expansion includes video
 - 2 USB 2.0 Type A
 - 2 USB 3.0 Type A
 - 3 Ethernet RJ45
 - 2 HDMI
- Works with or without keyboard, rugged boot, expansion backs and other Zebra accessories
- Tablet cameras, barcode reader and side connections accessible while mounted
- IP65 water and dust ingress protected
- Many components of docking system available separately and can be added in field
- Barrel lock with 2 keys
- Power Adapters and line cables sold separately



Part Numbers:

Office Dock

CRD-ET8X-OFFDK1-01

Related Power Accessories

450020 (AC Adapter)

AC Line Cords

450040 (for US)

450047 (for Australia/New Zealand)

450042 (for EU)

450041 (for UK)

ACC-L10LINECORD-TW (for Taiwan)

ACC-L10LINECORD-JP (for Japan)

ACC-L10LINECORD-CN (for China)

Docking Solutions: Power Dock

- Comprehensive solution for installations requiring only power (see vehicle dock for port expansion docking solution)
- Easy one-hand release allows for fast “grab and go” transitions
- E-Mark certified for 12V vehicle systems
- Supports VESA 100x100 & 75x75 mounting patterns
- Works with or without keyboard, rugged boot, expansion backs and other Zebra accessories
- Tablet cameras, barcode reader and side connections accessible while mounted
- IP65 water and dust ingress protected
- Many components of docking system available separately and can be added in field
- Barrel lock with 2 keys
- Power Adapters and Cables sold separately



Shown with RAM mounting kit 350025 (not included)

Part Numbers:

Power Dock

CRD-ET8X-PWRDK1-01

Related Power Accessories

450143 CLA Cable

300039 Direct Connect Cable

450019 CLA DC converter for 24 V vehicles

450083 DC converter - Forklifts 9 – 60V

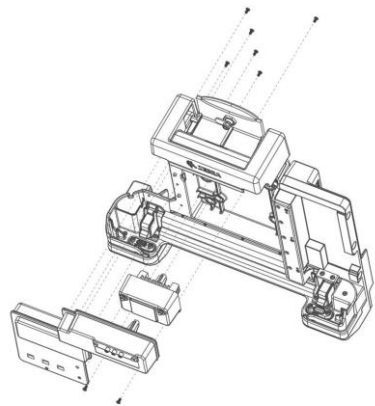
450084 DC converter - Forklifts 50 - 150 volts

Docking Solutions: RF Pass-Through Antenna Module



CRD-ET8X-M-PTA1-01 – PTA Module

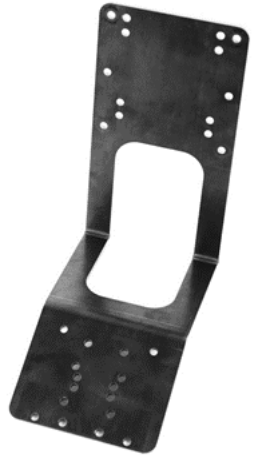
- Field installable module for deployments requiring external antenna, such as situations where tablet is RF shielded
- Three pass-through antennas
- Requires factory installed PTA option in tablet – see options below
- The same dock PTA module compatible with all tablet PTA configurations



Tablet must be ordered in PTA configuration to use PTA module in dock. Configurations include:

Tablet Part Number	ANT1	GPS	ANT2	External Antenna
ET8XX-XXXXX-XX0	N/A	N/A	N/A	N/A
ET80A-XXXXX-XXA	NONE	NONE	WIFI	MGRM3
ET85X-XXXXX-XXB (5G SKU)	WWAN	GPS	WWAN	LTMG931
ET85X-XXXXX-XXC (4G SKU)	WWAN	GPS	WIFI	LTMG931

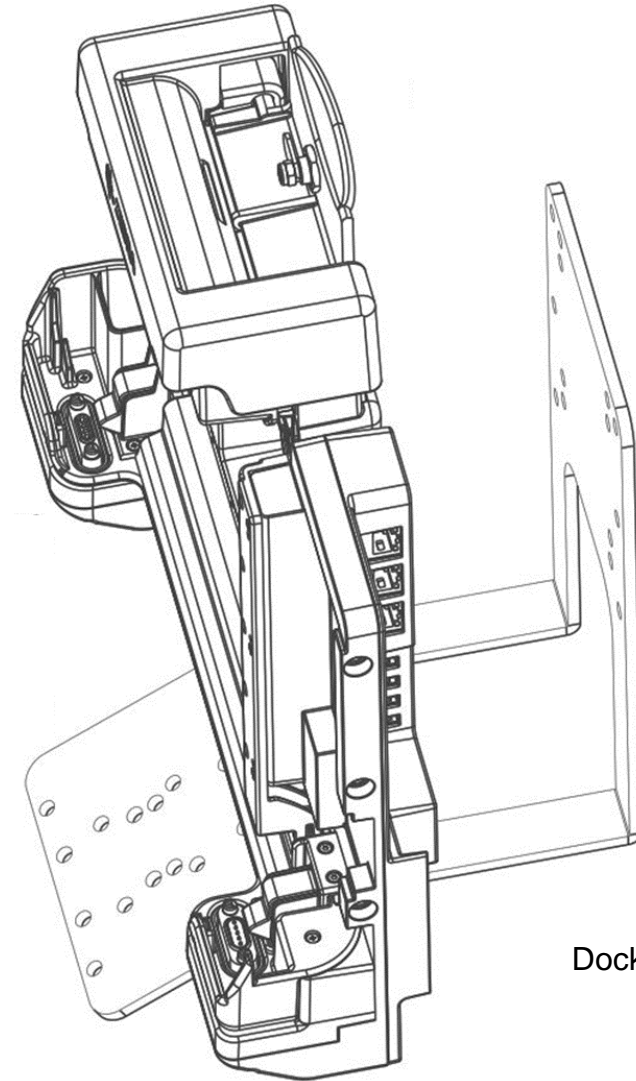
Docking Solutions: Keyboard Bracket



CRD-ET8X-M-KBBK1-01 Keyboard Bracket

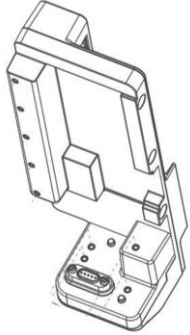
- Field installable keyboard tray, primarily for detached keyboard solutions. Optional for ET8x 2-in-1 keyboard.
- Includes bracket (no screws)

Hole patterns support most third-party keyboards
VESA 75mm x 75mm
AMPs 38mm X 30mm Vertical
AMPs 38mm X 30mm Horizontal



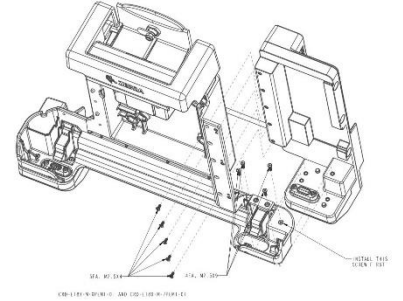
Dock and Bracket support
VESA 100 x 100
100 x 50
75 x 75
Hole patterns

Docking Solutions: Additional Expanded Functionality with Field Installable Modules



CRD-ET8X-M-9PEM1-01 Port Expander with Video

- Field installable 9 port expander with 2 USB 2.0 Type A, 2 USB 3.0 Type A, 3 Ethernet RJ45, 2 HDMI
- Add to Zebra Power Dock for vehicle docking solution with HDMI video



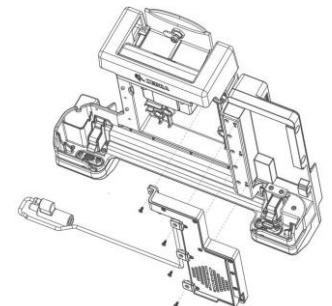
CRD-ET8X-M-PEM1-01 Port Expander Cover

- Optional field installable cover with thumbscrew convenience for Zebra docking solutions with port expansion, such as the vehicle dock or office dock



CRD-ET8X-M-FAN1-01 Keyboard Bracket

- Attaches to dock and provides ventilation for extreme climates
- Only recommended for elevated temperatures with excessive solar loading or non-air-conditioned vehicles



Antenna options (sold through 3rd party)

Typically used with Vehicle Dock – Requires dock with RF Pass Through Antennas module (CRD-ET8X-M-PTA1-01) and PTA enabled tablet SKU



Mobile Mark LTM931 (Cellular, Wifi and GPS)

- The 5-cable LTM series antennas include three Cellular antennas, one WiFi antenna and one GPS antenna.
- Antenna is ideal for fleet management systems that combine GPS with a broadband cellular modem as well as WiFi.
- Covers cellular frequencies worldwide: 694-960 & 1710-3700 MHz.
- Antenna versions available for surface mounting or magnetic mounting.



Mobile Mark MGRM3 (Wifi Antenna)

- External antenna may provide additional WiFi coverage in challenging environments
- Antenna supports 2.4Ghz only
- Magnetic mount can easily be installed on top of forklift cab

ET8x Rugged Tablet Accessories

Expansion & Input Solutions

Expansion Back Solutions & Kickstand

All compatible with Zebra docking solutions



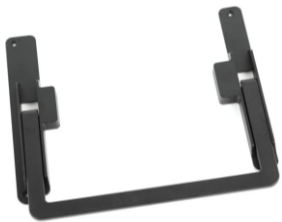
ZBK-ET8X-SMARTCARD-01 Expansion Back with CAC Smartcard Reader & Battery Slot

- Adds enhanced device security and chip card reading with a Common Access Card (CAC) reader
- Replaces existing battery door and screws down to back of tablet.
- Provides slot for hot swappable ET8x auxiliary Powerpack battery (BTRY-ET8X-PRPK1-01) (sold separately)



ZBK-ET5X-10RH1-01 Rotating Hand Strap with Battery Slot

- Replaces existing battery door and screws down to back of tablet
- Provides slot for hot swappable ET8x auxiliary Powerpack battery (BTRY-ET8X-PRPK1-01) (sold separately)



ZBK-ET8X-KICKSTAND-01 Kickstand

- Provides adjustable viewing angle, keeping the tablet upright for easy reading and touch while in the field
- Folds away for mobility
- Requires ET8x Expansion Back accessory (sold separately)



Active Stylus



- Allows for a large range of pressure sensitivity, tilt detection and hover capability
- IP55 water and dust protected
- Supports Microsoft Pen Protocol MPP 2.0
- Two side buttons for easy erase and menu access
- Can be tethered to tablet with SG-ET5X-SLTETR-01 (sold separately)
- Can be secured to tablet with Pen Loop Holder or inserted into ET8x handle SG-ET8X-HANDLE1-01 (sold separately)
- Uses one AAAA battery, included

- Adhesive Loop attaches to rear of tablet
- Compatible with Zebra rugged boot, docks, and other accessories



Part Numbers:

SG-ET8X-STYLUS1-01 (ET8x Active Stylus)
SG-ET8X-PENLOOP1-01 (Stylus holder)
SG-ET5X-SLTETR-01 (Coiled Tether)

Adapter Solutions

Ethernet (RJ45) Adapter Cable

- Connects to tablet expansion port to provide cabled true Ethernet access to tablet
- Includes options to secure adapter to tablet via screws or via tool-less screws for easier removal

Serial Adapter Cable

- Connects to tablet expansion port to provide DB9 (RS-232) true serial port
- Includes options to secure adapter to tablet via screws or via tool-less screws for easier removal



Part Numbers:

CBL-ET8X-E1-01 (Ethernet adapter cable)

CBL-ET8X-SER1-01 (Serial adapter cable)

ET8x Rugged Tablet Accessories

Battery and Charging

AC Power Supply

- 45W USB-PD charger connects to the USB-C port on the ET8X for when a dock is not used to charge the tablet
- Requires AC line cord appropriate for the countries of use (sold separately)
- NOTE: Power Supply is not included with ET8X. Order this item if ET8x needs to be charged outside of docking stations.



Part Numbers:

Power Adapter

PWR-BGA15V45W-UC-WW (45W ET8x adapter)

AC Line Cords

450040 (for US)

450047 (for Australia/New Zealand)

450042 (for EU)

450041 (for UK)

ACC-L10LINECORD-TW (for Taiwan)

ACC-L10LINECORD-JP (for Japan)

ACC-L10LINECORD-CN (for China)

Battery Solutions



BTRY-ET8X-12IN1-01 Replacement Tablet Battery

- Main internal battery for tablet
- 39.8 Whr (5180 mAh @ 7.7V)



BTRY-ET8X-PRPK1-01 Auxiliary power pack battery

- Hot swappable additional power; enables 24x7 usage
- 25.8 WHr (3400 mAh @ 7.6V)
- Used in addition to the main battery capacity
- Gas Gauge LED to display the amount of charge
- Charges with 4 slot battery charger (SAC-ET5X-4PPK1-01 sold separately)
- Requires Expansion Back supporting expansion battery including ZBK-ET8X-SMARTCARD-01 & ZBK-ET5X-10RH1-01



MISC-ET8X-BTDR1-01 Battery door

- Replacement tablet battery door

ET8x Rugged Tablet Accessories

Carry and Protective Solutions

Carry and Protective Solutions



SG-ET8X-BOOT1-01 Rugged Boot

- Increases tablet drop spec to 5 ft. (1.5m)
- Compatible with 2-in-1 keyboard, Docks, Expansion Backs and other Zebra accessories
- Includes tether points to attach optional Handle Strap or Shoulder Strap
- USB port door with captive screw to secure or allow access to the ports



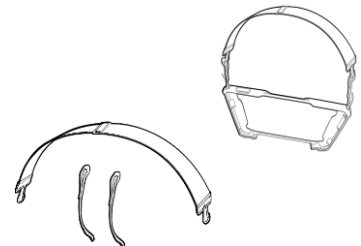
SG-ET8X-HANDLE1-01 Soft Handle

- Convenient top mounted handle in smooth durable soft rubber for maximum grip without sacrificing comfort
- Includes a stylus storage slot and tether for stylus (stylus sold separately)
- Attaches to Rugged Boot via fabric included straps
- Also includes tether point for Shoulder Strap to allow both the Soft Handle and Shoulder Strap to be used at the same time



SG-ET8X-SHLDR1-01 Shoulder Strap

- Convenient for carrying the ET8X long distances while freeing up hands.
- Attaches to Rugged Boot via included fabric straps or can be attached directly to Soft Handle (SG-ET8X-HANDLE1-01).





Contact

Zebra Technologies Corporation
3 Overlook Point
Lincolnshire, IL 60069

www.zebra.com