



# Stadium Enclosure Quick Setup Guide

This Quick Setup Guide provides step-by-step instructions on how to install your RUCKUS Stadium Enclosure for indoor access points (APs).

FIGURE 1 RUCKUS Stadium Enclosure: Top View



## This Guide in Other Languages

- 请从以下网站获得该指南的简体中文版 <http://docs.commscope.com/?docs-box>.
- Vous trouverez la version française de ce guide à l'adresse suivante <http://docs.commscope.com/?docs-box>.
- このガイドの日本語版は <http://docs.commscope.com/?docs-box> でご覧ください。
- 이 가이드의 한국어 버전은 웹 사이트 (<http://docs.commscope.com/?docs-box>) 에서 확인하시기 바랍니다.
- Veja a versão em português (Brasil) deste guia em <http://docs.commscope.com/?docs-box>
- Puede ver la versión en español (América Latina) de esta guía en <http://docs.commscope.com/?docs-box>

## Before You Begin

Before deploying RUCKUS products, please check for the latest software and the release documentation.

- Release Notes and other user documentation are available at <http://support.ruckuswireless.com/documents>.
- Software upgrades are available at <http://support.ruckuswireless.com/software>.
- Software license and limited warranty information are available at <http://support.ruckuswireless.com/warranty>.

## Package Contents

A complete Stadium Enclosure installation package includes all of the following items:

- Stadium enclosure kit (902-0700-000)
  - One stadium enclosure assembly
  - Two Thermal Interface Material (TIM)
  - Two mounting brackets (labeled A and B)
  - Hardware mounting kit with four M8 serrated flange screws
  - QR-code insert card
- Flush mount bracket kit (902-0701-000)
  - Two flush mount brackets (labeled A and B)
  - Hardware mounting kit with four M8 serrated flange screws
  - QR-code insert card

## Required Hardware Tools

- Torque wrench
- 0.5-inch hook spanner lock-nut wrench
- Torque screwdriver with sockets
- T10 torx security screwdriver or drive bit
- No. 3 philips screwdriver or drive bit
- 2-mm hex screwdriver or drive bit
- 13-mm socket
- Electric drill with drill bits and customer-supplied mounting hardware (mounting brackets have 10-mm (0.39-inch) wide slotted holes for venue mounting hardware)

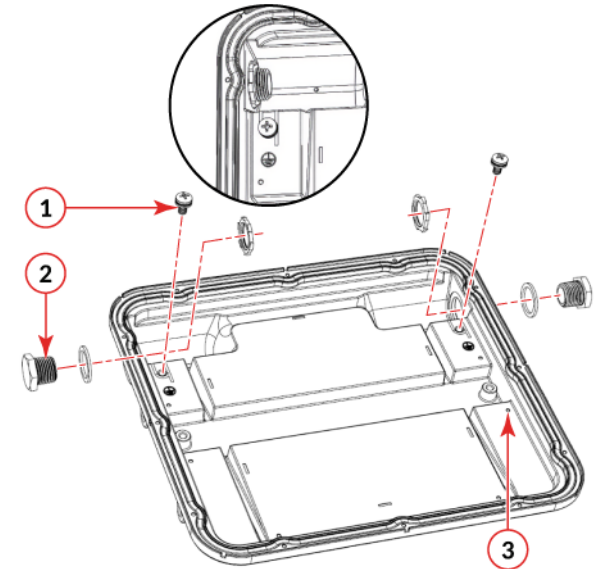
## Feature Overview

The Stadium Enclosure serves as a rugged outdoor enclosure for indoor APs.

The Stadium Enclosure provides the following features:

- Two internal ground symbols and M6 threaded ground points with factory-installed screws and washers to be used when a grounding wire is routed through conduit connections.
- Two 22-mm holes with factory-installed plugs, washers, and locknuts for customer-supplied 0.5-inch trade-size installation materials such as conduit, connectors, and fittings.
- Six M3 threaded hole provisions for securing screw-type wire tie anchors.

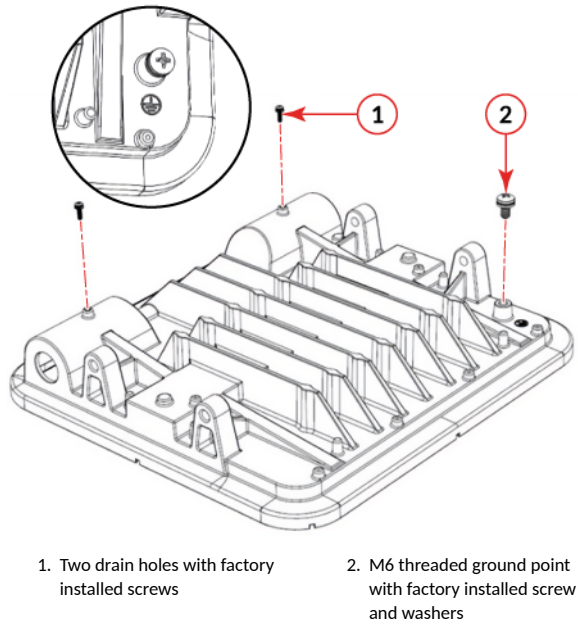
FIGURE 2 Enclosure Bottom Housing



1. Two internal ground symbols and M6 threaded ground points
2. Two 22-mm holes with factory installed plugs, washers, and locknuts
3. M3 threaded hole provisions

- Two drain holes with factory-installed screws to be removed only when using the Flush mount bracket kit (902-0701-000).
- One external ground symbol and M6 threaded ground point with factory-installed screw and washers to be used when a ground wire connection is needed externally.

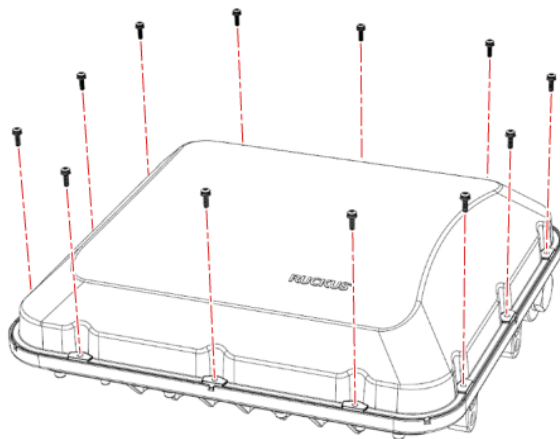
**FIGURE 3** Enclosure Rear View



## Mounting the AP in the Stadium Enclosure

1. Unscrew the twelve M3 screws to open the stadium enclosure top cover as shown in [Figure 4](#).

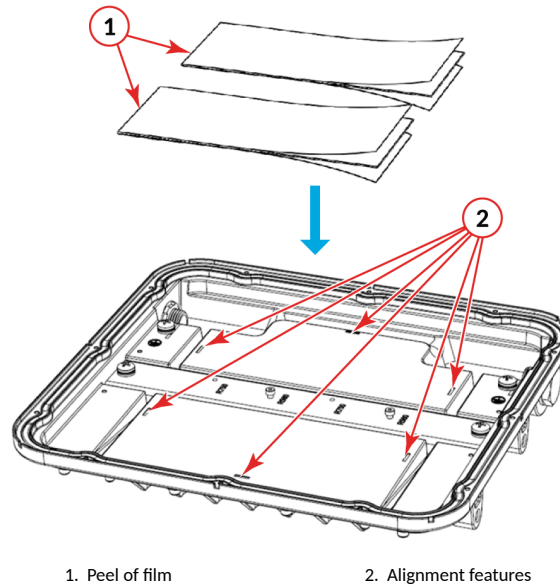
**FIGURE 4** Removing the Enclosure Cover



2. Remove sheets of the Thermal Interface Material (TIM) from the plastic bag found inside the stadium enclosure assembly. Peel off and

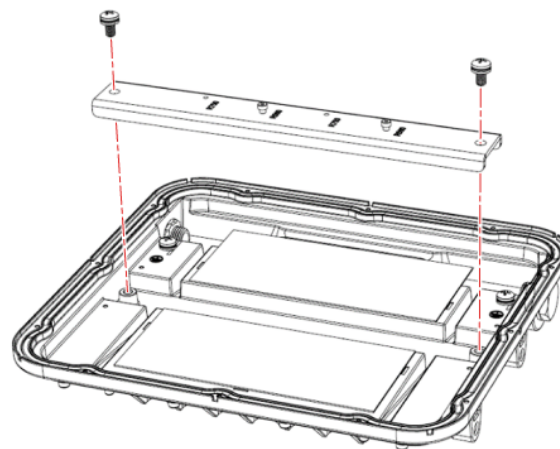
discard the plastic protective films on both sides of the TIM, and attach the TIM sheets to the bottom housing using the alignment features as shown in [Figure 5](#).

**FIGURE 5** Attaching the Thermal Interface Material (TIM)



3. Unscrew the two M6 screws to remove the AP mounting bracket from the bottom housing as shown in [Figure 6](#).

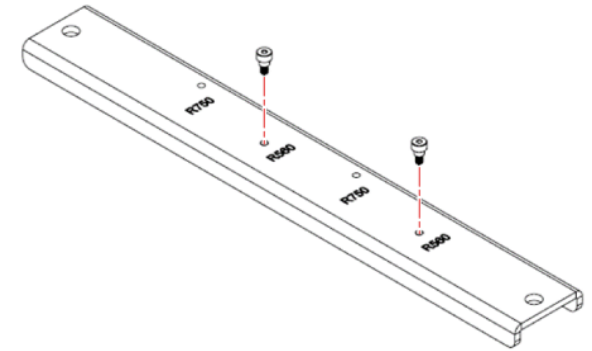
**FIGURE 6** Removing the M6 Screws



4. Reposition the two shoulder screws to an appropriate AP mounting position, if needed as shown in [Figure 7](#).

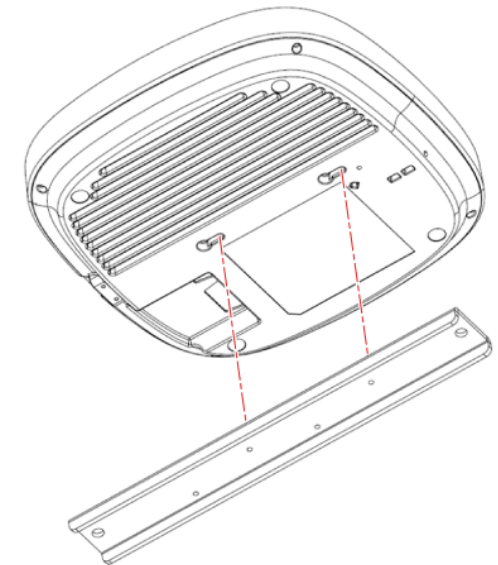
**NOTE:** Both mounting positions can accommodate the smaller R550 AP and R650 AP.

**FIGURE 7** Adjusting the Shoulder Screws



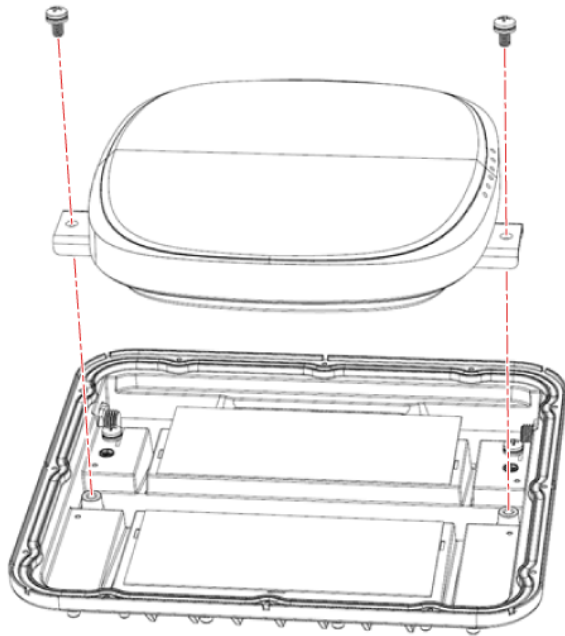
5. Tighten the shoulder screws to 10 in-lb (1.1 N-m).
6. Remove and discard the four rubber feet from the bottom of the AP.
7. Lock the AP in place using the keyhole slots on the bottom of the AP to the two shoulder screws on the AP mounting bracket as shown in [Figure 8](#).

**FIGURE 8** Locking the AP with the Mounting Bracket



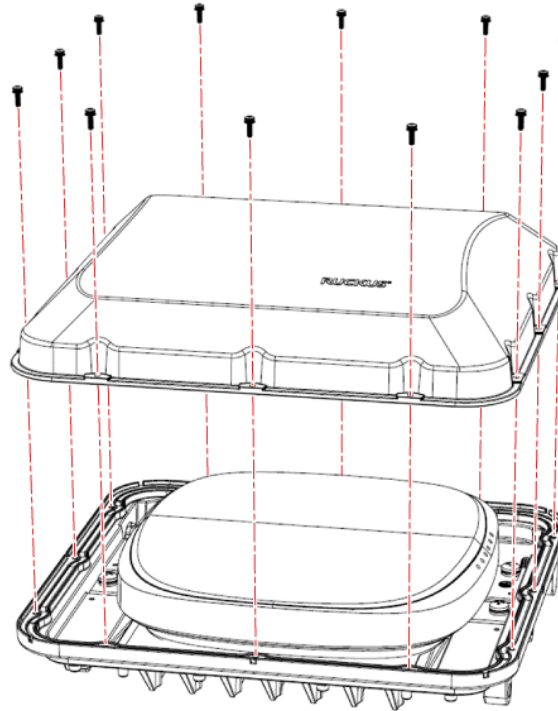
- Secure the AP with the bracket assembly to the bottom of the enclosure using two M6 screws as shown in [Figure 9](#).

**FIGURE 9** Securing the Bracket Assembly with the Enclosure



- Tighten the screws to 30 in-lb (3.4 N-m).
- Re-attach the top cover with the twelve M3 screws as shown in [Figure 10](#).

**FIGURE 10** Re-attaching the Enclosure Cover



- Using the star or criss-cross bolt-tightening sequence, tighten the screws to 10 in-lb (1.1 N-m).

### Before You Begin Mounting the Stadium Enclosure

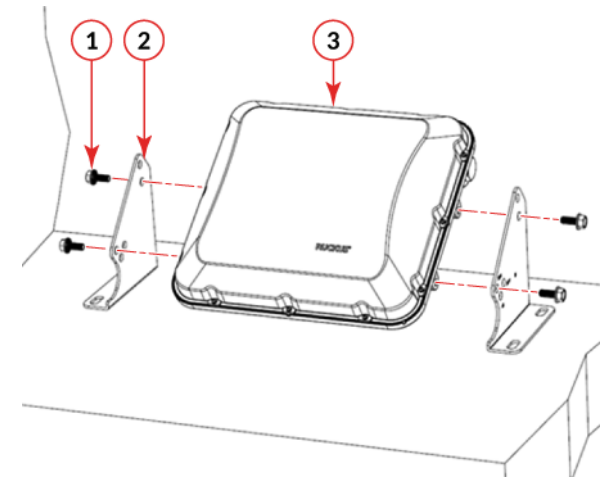
Before mounting the stadium enclosure, complete the following prerequisites:

- Ensure you have the customer-supplied venue mounting hardware and installation materials.
- Brackets have a 10-mm (0.39-inch) wide slotted holes for venue mounting using customer-supplied mounting hardware.
- Conduct a stadium enclosure assembly fit test to ensure the desired mounting angle can fit under venue seating with the seat raised, the seat lowered, and while seat is pivoting.
- Conduct a stadium enclosure assembly fit test between the venue seat mounting brackets.

## Stadium Enclosure Venue Mounting Options

### Tread Mounting the Stadium Enclosure

**FIGURE 11** Tread Mounting the Stadium Enclosure



- M8 serrated flange bolt
- Mounting bracket
- Stadium enclosure

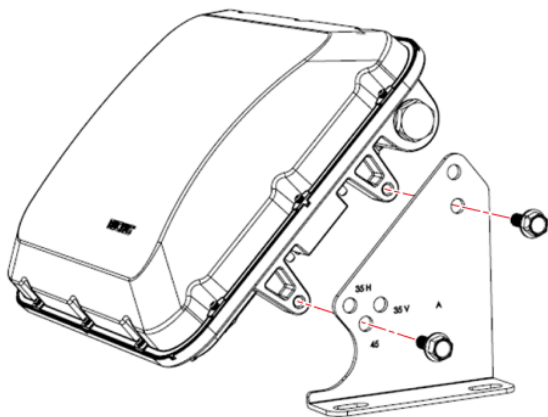
- Assemble the mounting brackets (A and B) to the stadium enclosure with the four M8 serrated flange bolts.
  - For mounting the stadium enclosure with a 35-degree angle, use the hole marked 35H and the corresponding hole that aligns with the mounting holes on the stadium enclosure (as shown in [Figure 12](#)).

**FIGURE 12** Mounting Holes for a 35-Degree Angle



- For mounting the stadium enclosure with a 45-degree angle, use the hole marked 45 and the corresponding hole that aligns with the mounting holes on the stadium enclosure (as shown in Figure 13).

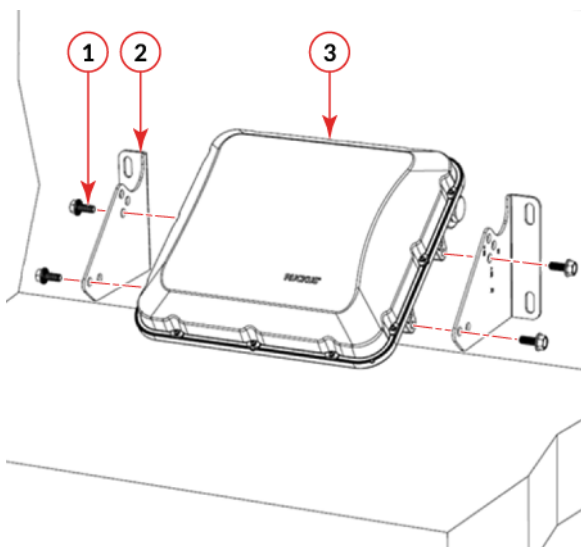
FIGURE 13 Mounting Holes for a 45-Degree Angle



- Tighten the four M8 serrated flange bolts to 70 in-lb (7.9 N-m).
- If required, mount the external ground wire to the underside ground point using factory-installed screw and washers.

### Riser Mounting the Stadium Enclosure

FIGURE 14 Riser Mounting the Stadium Enclosure



- M8 serrated flange bolt
- Mounting bracket
- Stadium enclosure

- Assemble the mounting brackets (A and B) to the stadium enclosure with the four M8 serrated flange bolts.

- For mounting the stadium enclosure with a 35-degree angle, use the hole marked 35V and the corresponding hole that aligns with the mounting holes on the stadium enclosure (as shown in Figure 15).

FIGURE 15 Mounting Holes for a 35-Degree Angle



- For mounting the stadium enclosure with a 45-degree angle, use the hole marked 45 and the corresponding hole that aligns with the mounting holes on the stadium enclosure (as shown in Figure 16).

FIGURE 16 Mounting Holes for a 45-Degree Angle



- Tighten the four M8 serrated flange bolts to 70 in-lb (7.9 N-m).

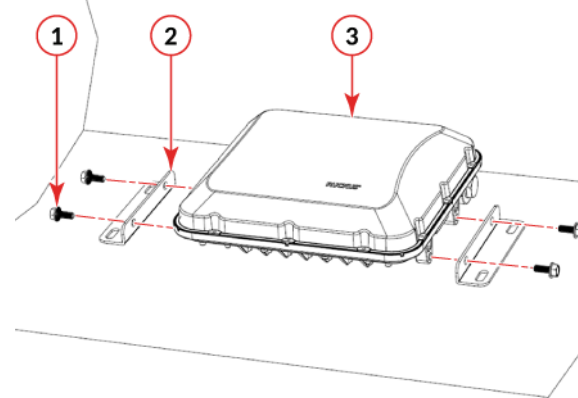
- If required, mount the external ground wire to the underside ground point using factory-installed screw and washers.

### Flush Mounting Kit (902-0701-0000) Checklist

Ensure the following checklist is verified before deploying the stadium enclosure:

- Venue mounting hardware and installation materials supplied by customer.
- Brackets have 10-mm (0.39-inch) wide slotted holes for venue mounting using customer supplied mounting hardware.
- Test fit stadium enclosure assembly to ensure desired angle can fit under venue seating with the seat raised and seat lowered and while seat is pivoting.
- Test fit stadium enclosure assembly between venue seat mounting brackets.

FIGURE 17 Mounting the Stadium Enclosure with the Flush Mounting Kit (902-0701-0000)

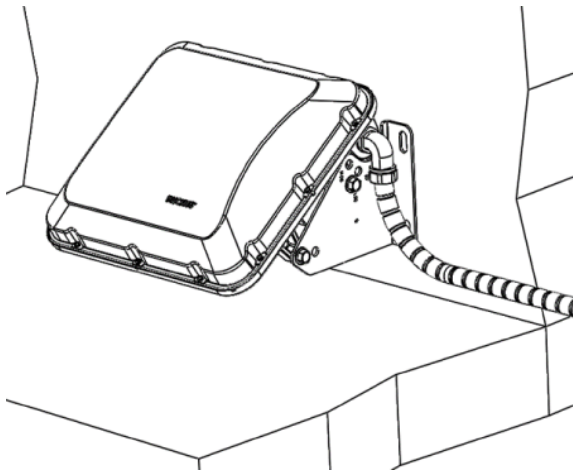


- M8 serrated flange bolt
- Flush mount bracket
- Stadium enclosure

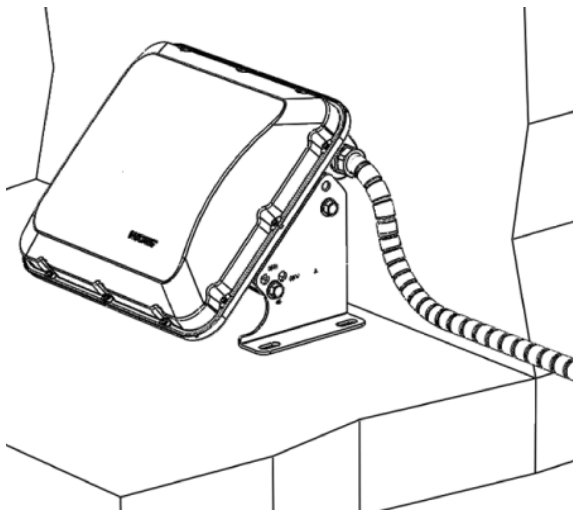
### Stadium Enclosure Venue Mounting with the Flush Mounting Kit (902-0701-0000)

- Remove the two M3 drain screws from the bottom of the stadium enclosure.
- Assemble the two flush mount brackets to the stadium enclosure using the four M8 serrated flange bolts.

**FIGURE 18** Liquid-Tight Conduit with Right-Angle Connector Mounted on Riser



**FIGURE 19** Liquid-Tight Conduit with Straight Connector Mounted on Tread



3. Tighten the four M8 serrated flange bolts to 70 in-lb (7.9 N-m).
4. If required, mount the external ground wire to the underside ground point using factory-installed screw and washers.

## For More Information

For information on how to configure and manage the AP, refer to the *RUCKUS Indoor Access Point User Guide*, available from <http://docs.commscope.com/?docs-box>.

© 2023 CommScope, Inc. All rights reserved.

ARRIS, the ARRIS logo, COMMSCOPE, RUCKUS, RUCKUS WIRELESS, the Ruckus logo, and the Big Dog design are trademarks of CommScope, Inc. and/or its affiliates. Wi-Fi Alliance, Wi-Fi, the Wi-Fi logo, Wi-Fi Certified, the Wi-Fi CERTIFIED logo, Wi-Fi Protected Access, the Wi-Fi Protected Setup logo, Wi-Fi Protected Setup, Wi-Fi Multimedia and WPA2 and WMM are trademarks or registered trademarks of Wi-Fi Alliance. All other trademarks are the property of their respective owners.