

A38

2U Active Air Cooler

PRODUCT SPECIFICATIONS

Table of Contents

| | |
|-----------------------------------|---|
| 1. PRODUCT DESCRIPTION | 2 |
| 2. THERMAL PERFORMANCE CURVE..... | 4 |
| 3. DIMENSION DRAWING..... | 5 |

Model Number: A38

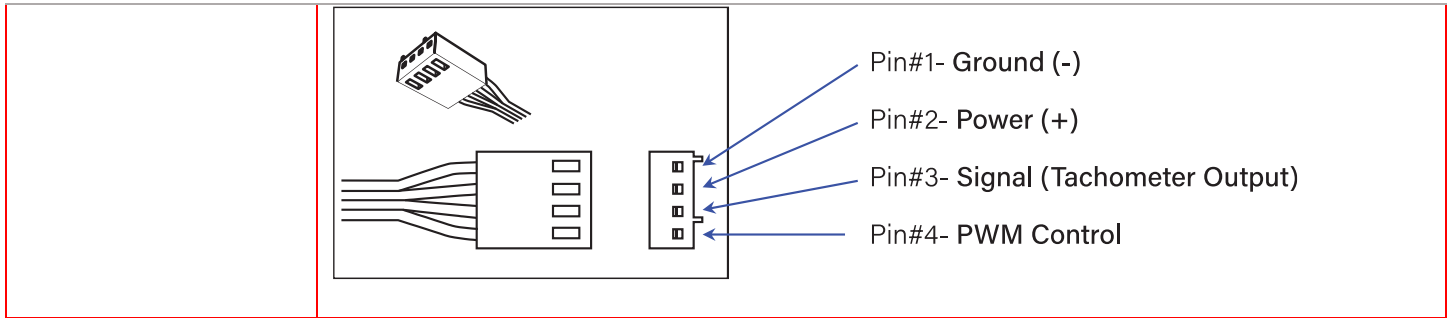
- AMD® Ryzen Threadripper Processor, Socket sWRX8, sTRX4, TR4, and AMD® Epyc Processor Socket SP3
- For 2U Server and up

Overall Specification

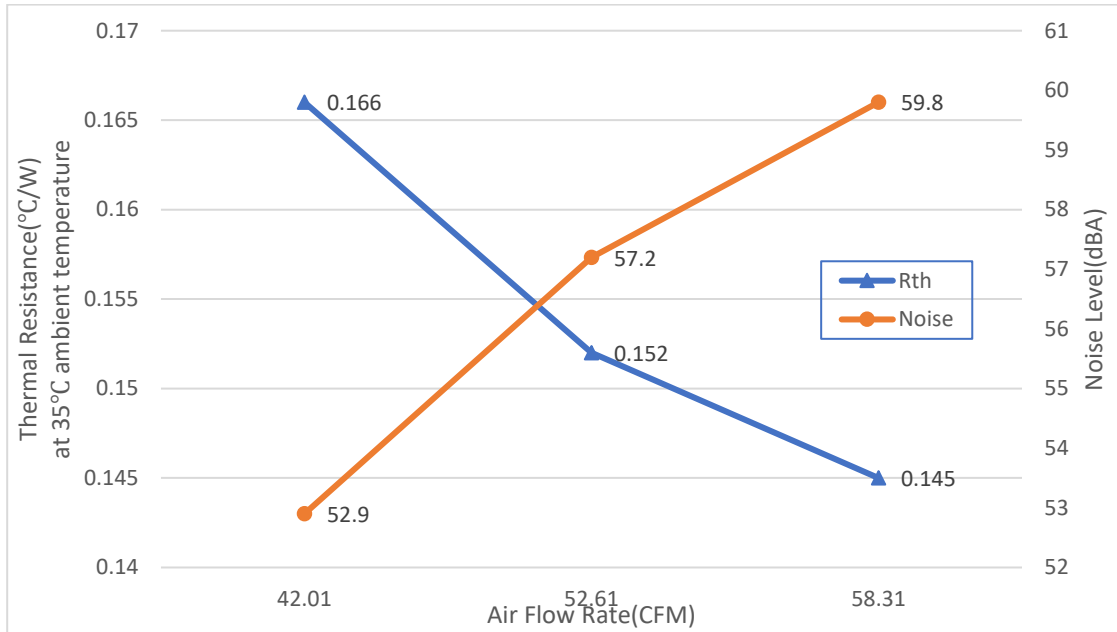
| | |
|-----------------|--|
| Dimension | 119 x 79 x 65mm |
| Weight | 450 g |
| Material | Aluminum Heatsink with Heatpipe Embedded |
| Fan | 6025 Axial PWM Fan for Heat Exhausting |
| Mounting Method | Convenient Heat Sink Screw Captive Mounting |
| Thermal Grease | Shin-Etsu 7762 or Equivalent |
| TDP | Support CPU Power up to 280 Watts Heat Dissipation |

Fan Specification

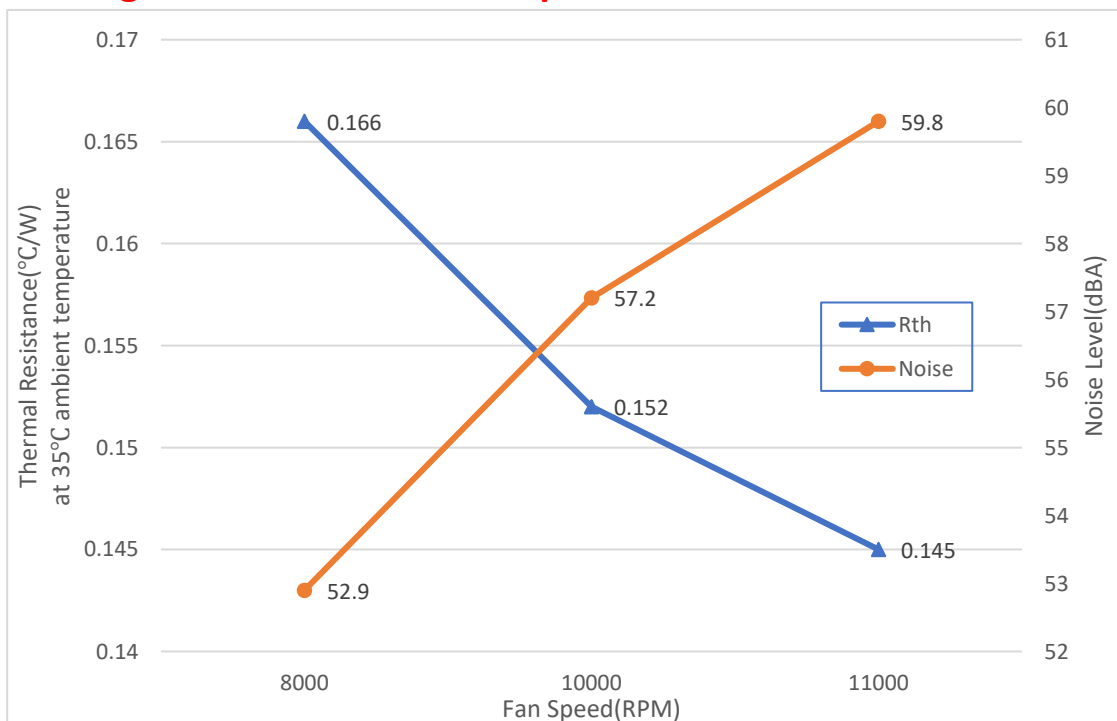
| | |
|---------------------------|--|
| Model Number | DF126025BU - PWMH |
| Dimension | 60 x 60 x 25 mm |
| Bearing | Double Ball |
| Rated Voltage | 12V |
| Rated Speed | At Duty Cycle 0~20%: 2300 ± 10% RPM At Duty Cycle 50%: 5400 ± 10% RPM At Duty Cycle 100%: 11000 ±10% RPM |
| Input Power | At Duty Cycle 0~20%: 0.84 W At Duty Cycle 50%: 2.76 W At Duty Cycle 100%: 18.0 W |
| Maximum Airflow | At Duty Cycle 0~20%: 11.91 CFM At Duty Cycle 50%: 28.38 CFM At Duty Cycle 100%: 58.31 CFM |
| Rated Static Pressure | At Duty Cycle 0~20%: 1.48 mm-H2O At Duty Cycle 50%: 7.54 mm-H2O At Duty Cycle 100%: 28.8 mm-H2O |
| Acoustical Noise | At Duty Cycle 0~20%: 25.8 dBA At Duty Cycle 50%: 44.4 dBA At Duty Cycle 100%: 59.8 dBA |
| Lead Wire Pin Out Diagram | |

A38 | SP3/TR4/sTRX4

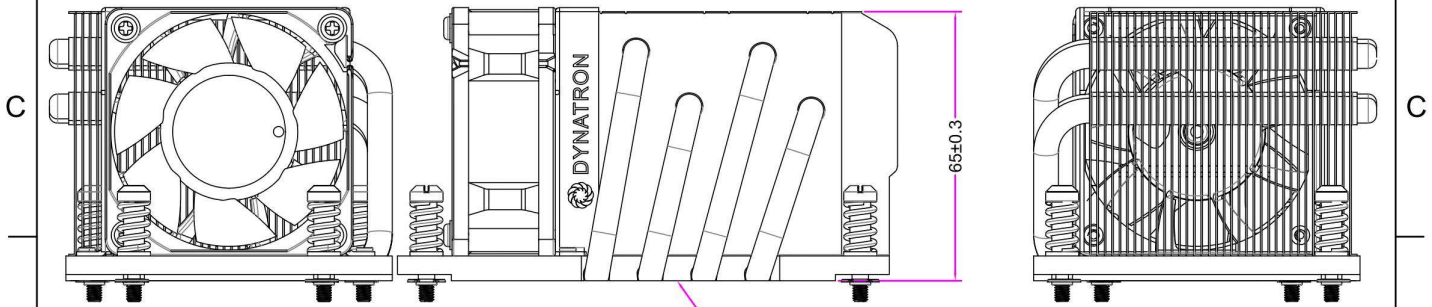
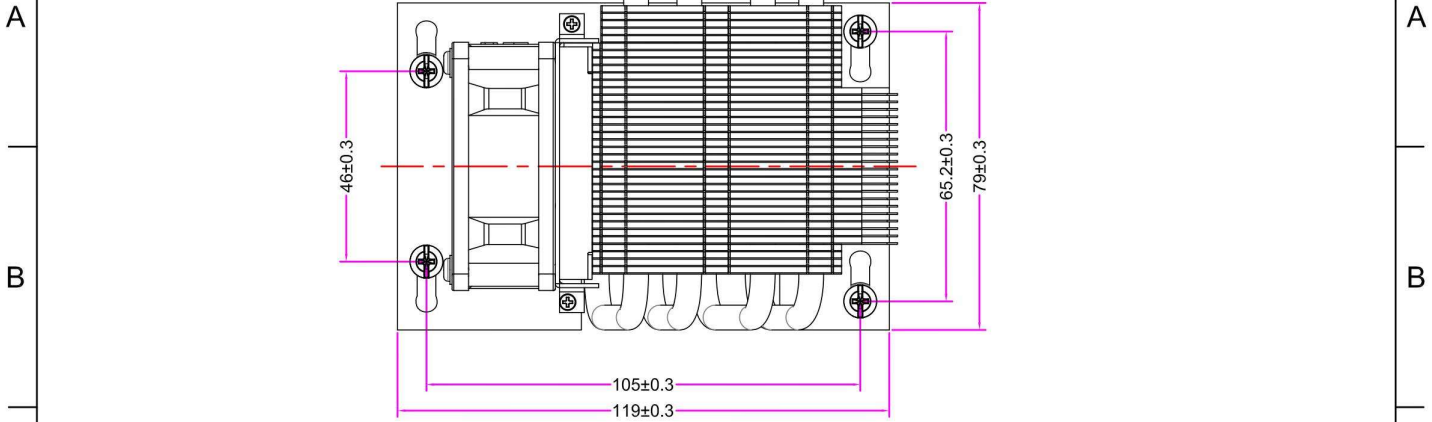
A38 Thermal Performance Curve Cooling Performance vs. Airflow



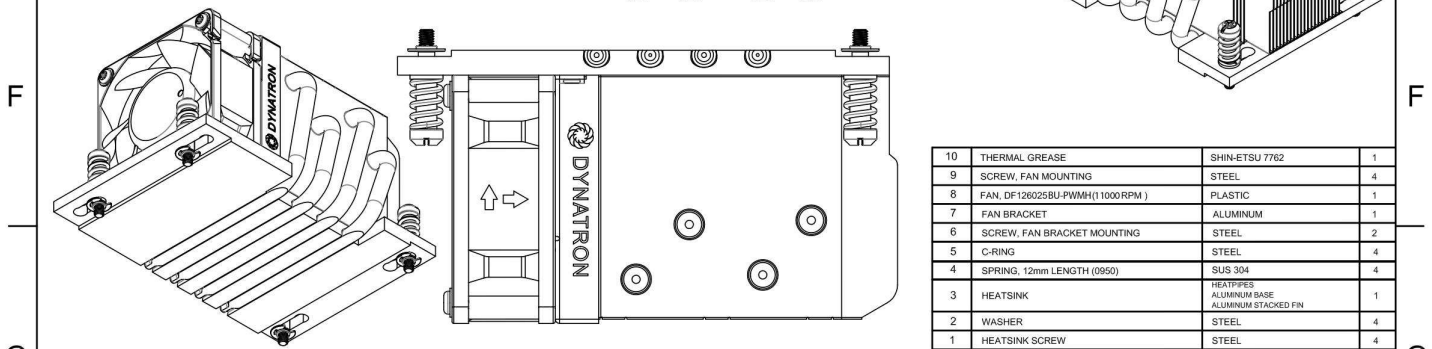
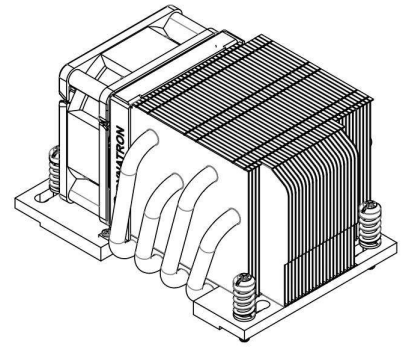
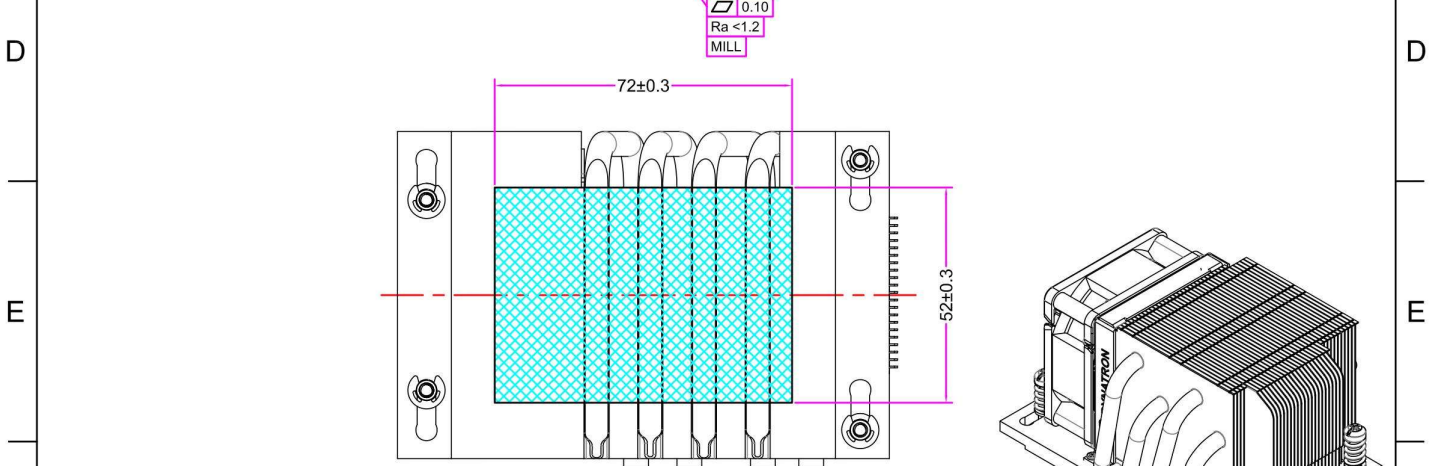
Cooling Performance vs. Fan Speed



| REV# | DESCRIPTION | CHECKER | DATE |
|------|-----------------|---------|------------|
| 0.0 | INITIAL RELEASE | LANG | 03/17/2021 |



0.10
Ra <1.2
MILL



| ITEM# | DESCRIPTION | MATERIAL | QTY. |
|-------|--------------------------------|---|------|
| 10 | THERMAL GREASE | SHIN-ETSU 7762 | 1 |
| 9 | SCREW, FAN MOUNTING | STEEL | 4 |
| 8 | FAN, DF126025BU-PWMH(11000RPM) | PLASTIC | 1 |
| 7 | FAN BRACKET | ALUMINUM | 1 |
| 6 | SCREW, FAN BRACKET MOUNTING | STEEL | 2 |
| 5 | C-RING | STEEL | 4 |
| 4 | SPRING, 12mm LENGTH (0950) | SUS 304 | 4 |
| 3 | HEATSINK | HEATPIPS ALUMINUM BASE ALUMINUM STACKED FIN | 1 |
| 2 | WASHER | STEEL | 4 |
| 1 | HEATSINK SCREW | STEEL | 4 |

| | NAME | DATE |
|---------------|------|------------|
| DRAWN BY | engr | 03/17/2021 |
| CHECKED BY | LANG | 03/17/2021 |
| ENG. APPROVED | | |
| MFG. APPROVED | - | - |



DYNATRON CORPORATION

TOP MOTOR

TITLE: **2U Active Cooler A38**
BOM & Overall Dimension Drawing

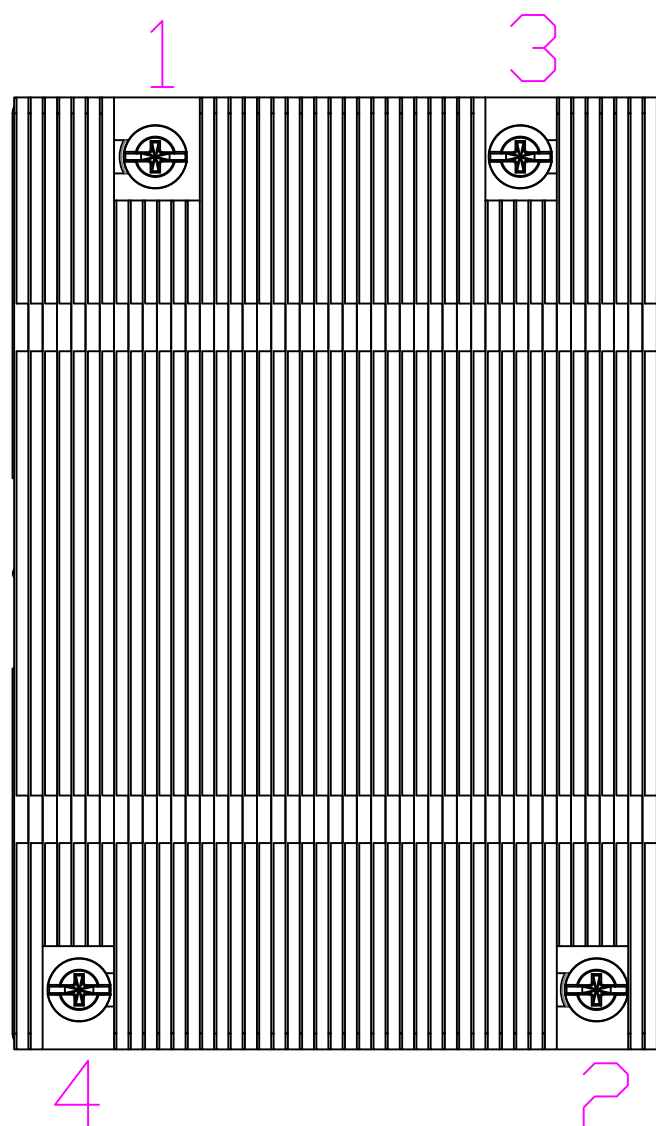
CONFIDENTIAL DOCUMENT
THIS DRAWING CONTAINS INFORMATION PROPRIETARY TO DYNATRON CORPORATION AND DYNAEON INDUSTRIAL CO., LTD. ANY REPRODUCTION, DISCLOSURE, OR USE OF THIS DRAWING IS EXPRESSLY PROHIBITED EXCEPT AS DYNATRON CORPORATION AND DYNAEON INDUSTRIAL CO., LTD. MAY OTHERWISE AGREE TO IN WRITING.

| | | |
|-------|----|-------------------|
| VIEW | | DWG. No: |
| UNITS | MM | DYN-BD-A38 |

DWG. No: **DYN-BD-A38**

REV. **0.0**

SOCKET SP3/TR4/sTRX4/sWRX8 COOLER INSTALLATION INSTRUCTION



HEATSINK ASSEMBLY
ORDER 1,2,3,4

HEATSINK DISASSEMBLY
ORDER 4,3,2,1

TORQUE = 6.1 KG -CM MAX

ALL SCREWS SHOULD BE
TIGHTENED/RELEASED EVENLY, AVOIDING
TIGHTENING/RELEASING ANY SCREWS TO THE
BOTTOM/TOP AT ONCE