

In the box

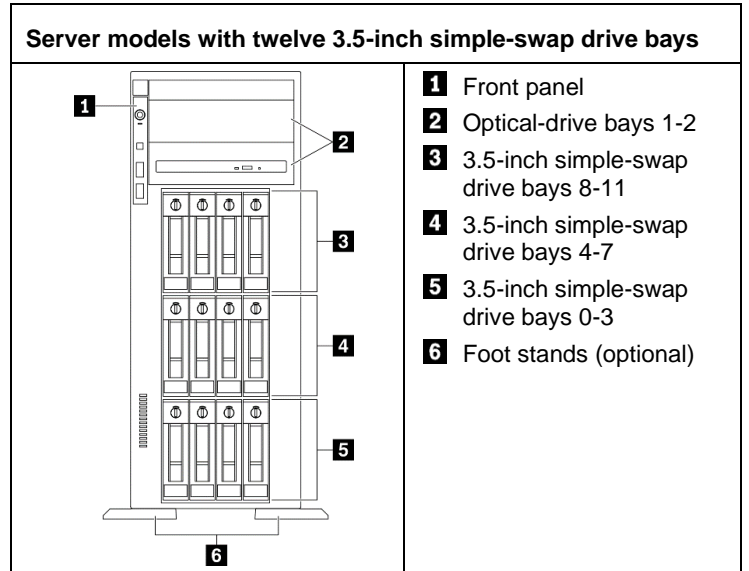
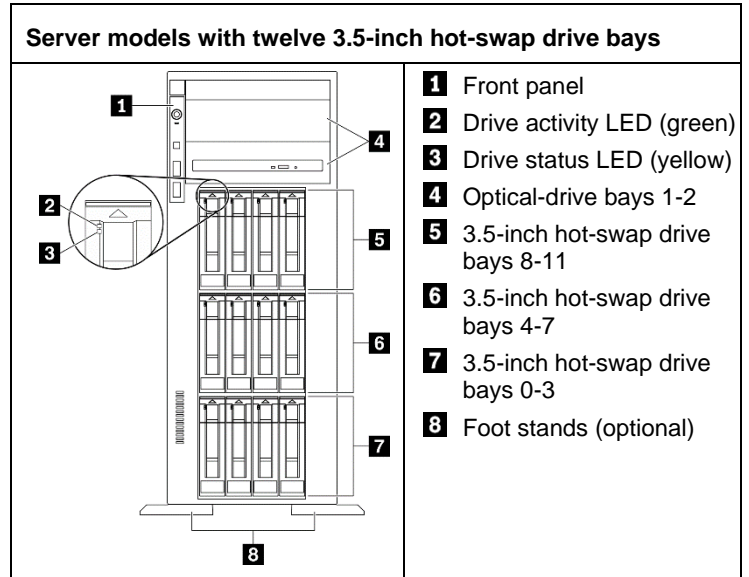
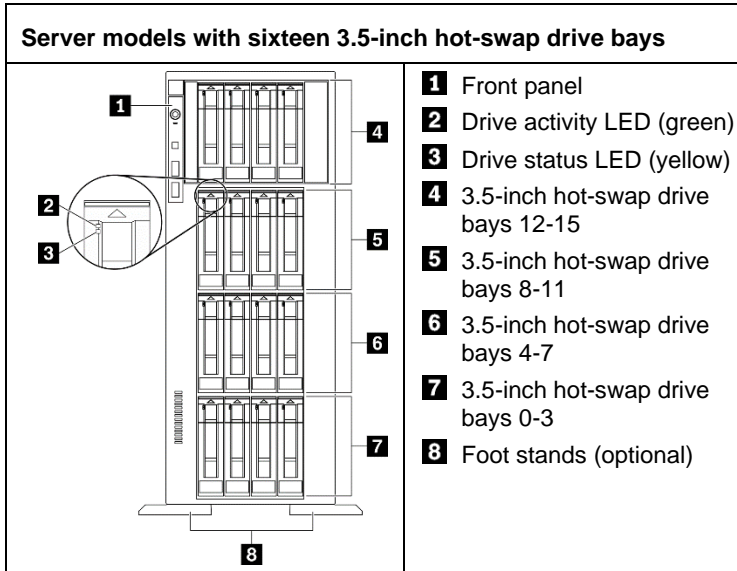
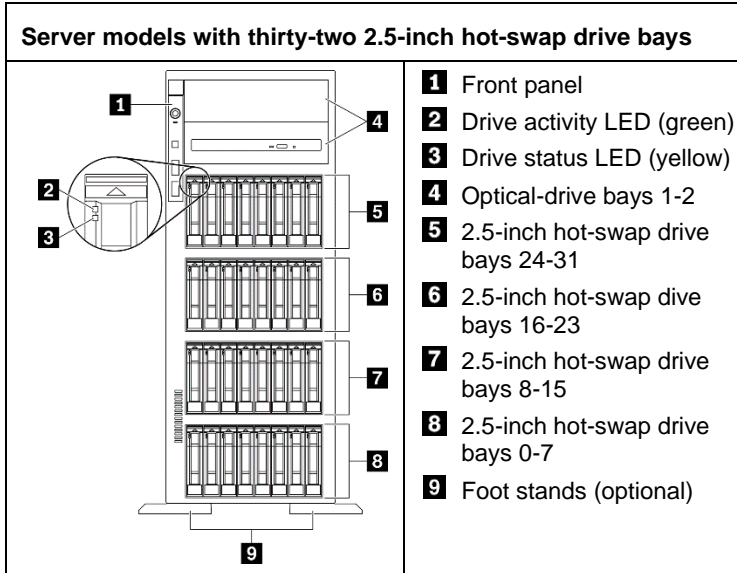
- ST650 V2
- Printed documentation

If any item is missing or damaged, contact your place of purchase. Ensure that you retain your proof of purchase. They might be required to receive warranty service.

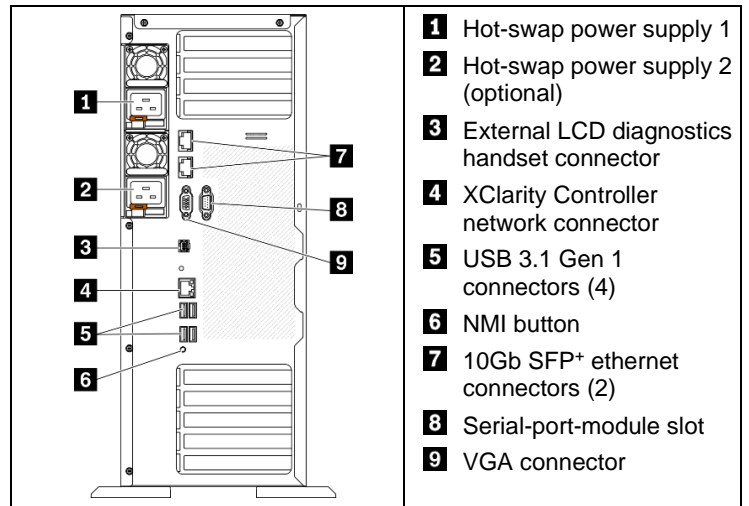
First glance

Note: Your server might look different from the following illustrations

Front view:



Rear view:



Setting up the system

- Install the required server components.
- Install the server into the rack if necessary.
- Connect the cables.
- Power on the server.
- Configure the system.

For detailed information about installing hardware options and configuring the system, see the following website:

<http://thinksystem.lenovofiles.com/help/topic/ST650V2/introduction.html>



Technical specifications

Dimensions and weight

- Height:
 - Without foot stand: 448 mm (17.64 inches)
 - With foot stand: 461.4 mm (18.17 inches)
- Width:
 - Without foot stand: 174.2 mm (6.86 inches)
 - With foot stand: 247.4 mm (9.74 inches)
- Depth:
 - Without bezel: 710.8 mm (27.98 inches)
 - With bezel: 733.8 mm (28.89 inches)
- Maximum weight (depending upon configuration):
 - 2.5-inch drive configuration: 39.28 kg (86.60 lb)
 - 3.5-inch drive configuration: 46.23 kg (101.92 lb)

Processor

Your server comes with the following processor, up to two processors from:

- Intel Xeon® Platinum processor
- Intel Xeon® Gold processor
- Intel Xeon® Silver processor

Memory

- Minimum: 16 GB
- Maximum:
 - 2048 GB using registered DIMMs (RDIMMs)
 - 3072 GB using registered DIMMs (RDIMMs) and Persistent Memory Modules (PMEM)
- Type:
 - 16 GB, 32 GB, 64 GB TruDDR4 3200 MHz RDIMM
 - 128 GB Persistent Memory Modules (PMEM)
- Slots: 32 DIMM slots

Drive bays (varies by model)

- Supports up to twelve 3.5-inch simple-swap drives
- Supports up to sixteen 3.5-inch hot-swap drives
- Supports up to thirty-two 2.5-inch hot-swap drives

Where to go for Support

Link	QR Code
 Lenovo Press (Product guides and white papers) https://lenovopress.com/	
 Lenovo System x Server forums https://forums.lenovo.com/t5/Datacenter-Systems/ct-p/sv_eg	
 Lenovo Support – ST650 V2 (including drivers and software) http://datacentersupport.lenovo.com/products/servers/thinksystem/ST650V2	
 Lenovo Product Security Advisories http://support.lenovo.com/us/en/product_security/home	
 Lenovo Server Proven (Compatibility information) https://static.lenovo.com/us/en/serverproven/index.shtml	

First Edition (May 2021)

© Copyright Lenovo 2021

LIMITED AND RESTRICTED RIGHTS NOTICE: If data or software is delivered pursuant to a General Services Administration (GSA) contract, use, reproduction, or disclosure is subject to restrictions set forth in Contract No. GS-35F-05925.