

UC-P10-T-C, UC-P10-T-C-I, UC-P10-T-C-HS, and UC-P10-T-C-HS-I

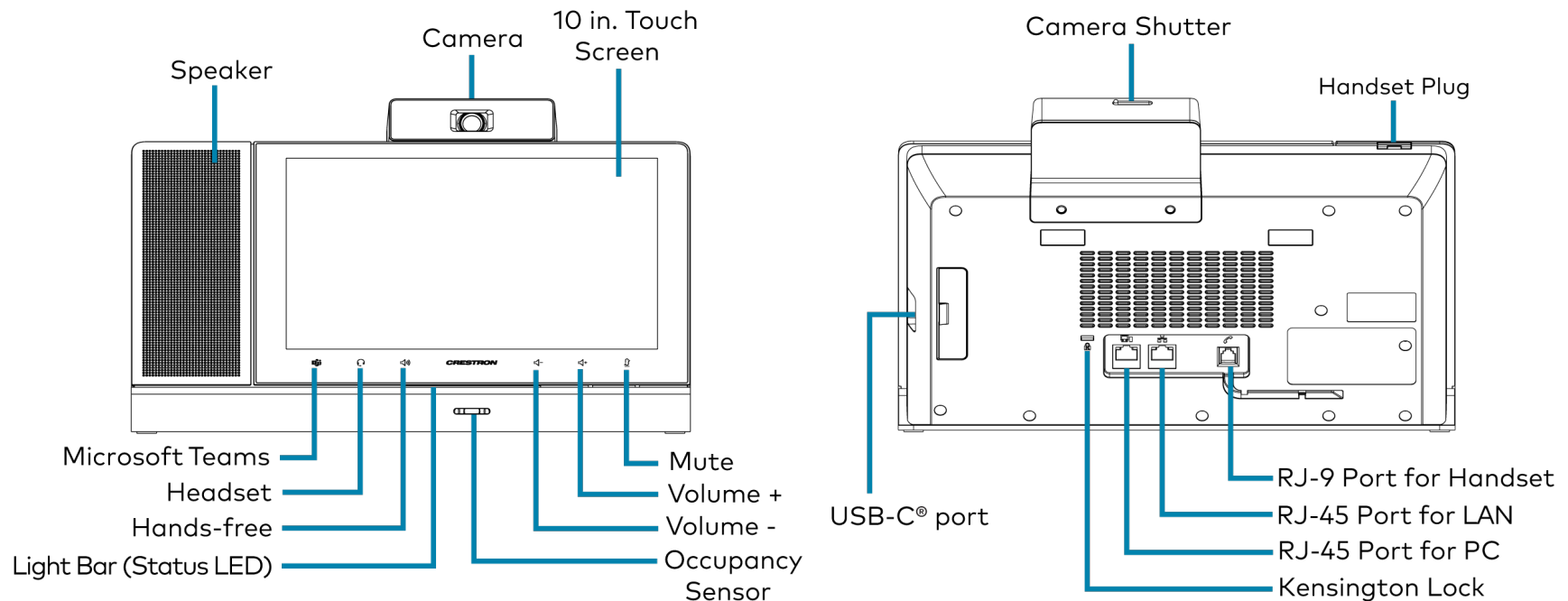
The Crestron Flex UC-P10 video desk phones are designed for use with the Microsoft Teams® communications platform. They provide superior video calling, simple operation, hands-free conferencing, and a consistent user experience with the Microsoft Teams touch screen UI.

All UC-P10 series desk phones require a Microsoft Teams account.

The information provided in this Quick Start guide is applicable for the following variants:

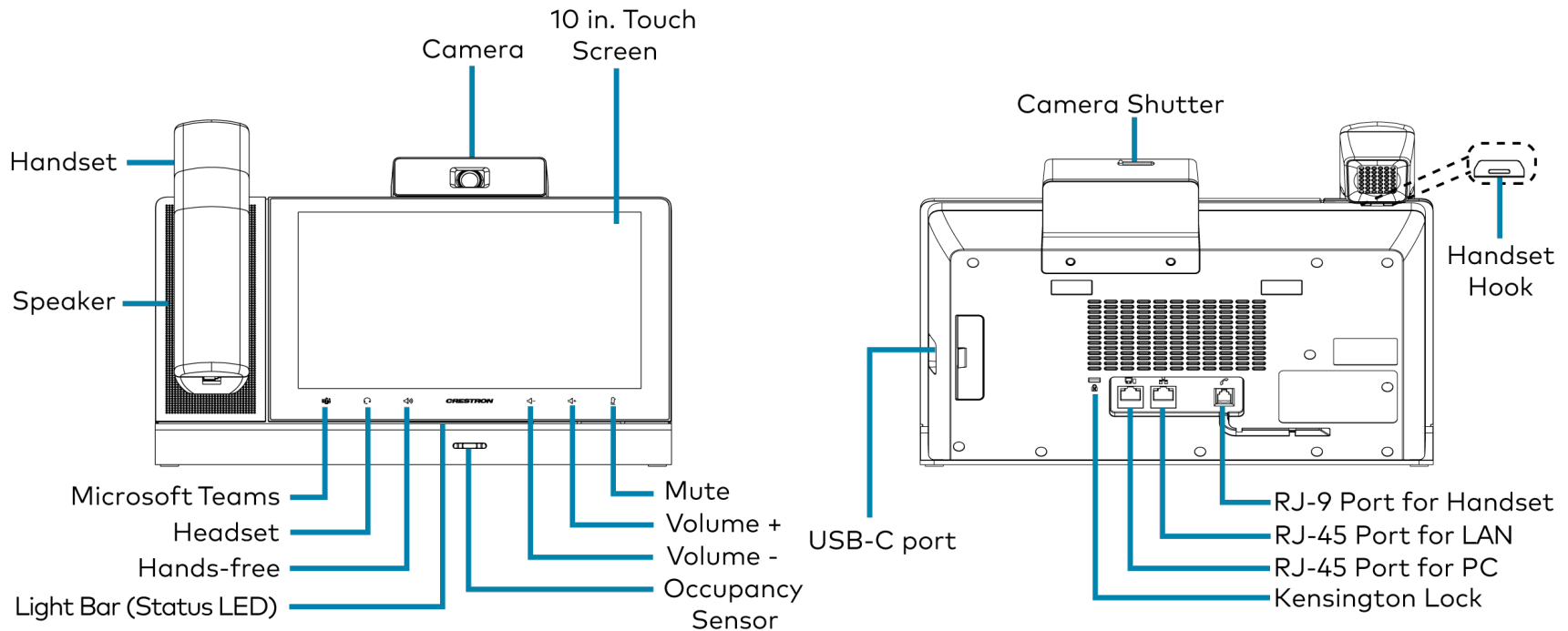
- Crestron Flex 10 in. Video Desk Phone for Microsoft Teams Software ([UC-P10-T-C](#))
- Crestron Flex 10 in. Video Desk Phone for Microsoft Teams Software, International ([UC-P10-T-C-I](#))
- Crestron Flex 10 in. Video Desk Phone with Handset for Microsoft Teams Software ([UC-P10-T-C-HS](#))
- Crestron Flex 10 in. Video Desk Phone with Handset for Microsoft Teams Software, International ([UC-P10-T-C-HS-I](#))

UC-P10-T-C and UC-P10-T-C-I



UC-P10-T-C, UC-P10-T-C-I, UC-P10-T-C-HS, and UC-P10-T-C-HS-I

UC-P10-T-C-HS and UC-P10-T-C-HS-I



In the Box

- 1 Crestron Flex 10 in. Video Desk Phone for Microsoft Teams® Software (6511680, 6511688, 6511679, or 6511687)
- 1 Cable, CAT5e, RJ-45-to-RJ-45, approx. 12 ft (3.7 m) (2056842)

For UC-P10-T-C-HS and UC-P10-T-C-HS-I Only

- 1 HD wideband handset (2056841)
- 1 Cord, handset, RJ-9 - RJ-9 (2056801)
- 1 Plug, handset (2057003)

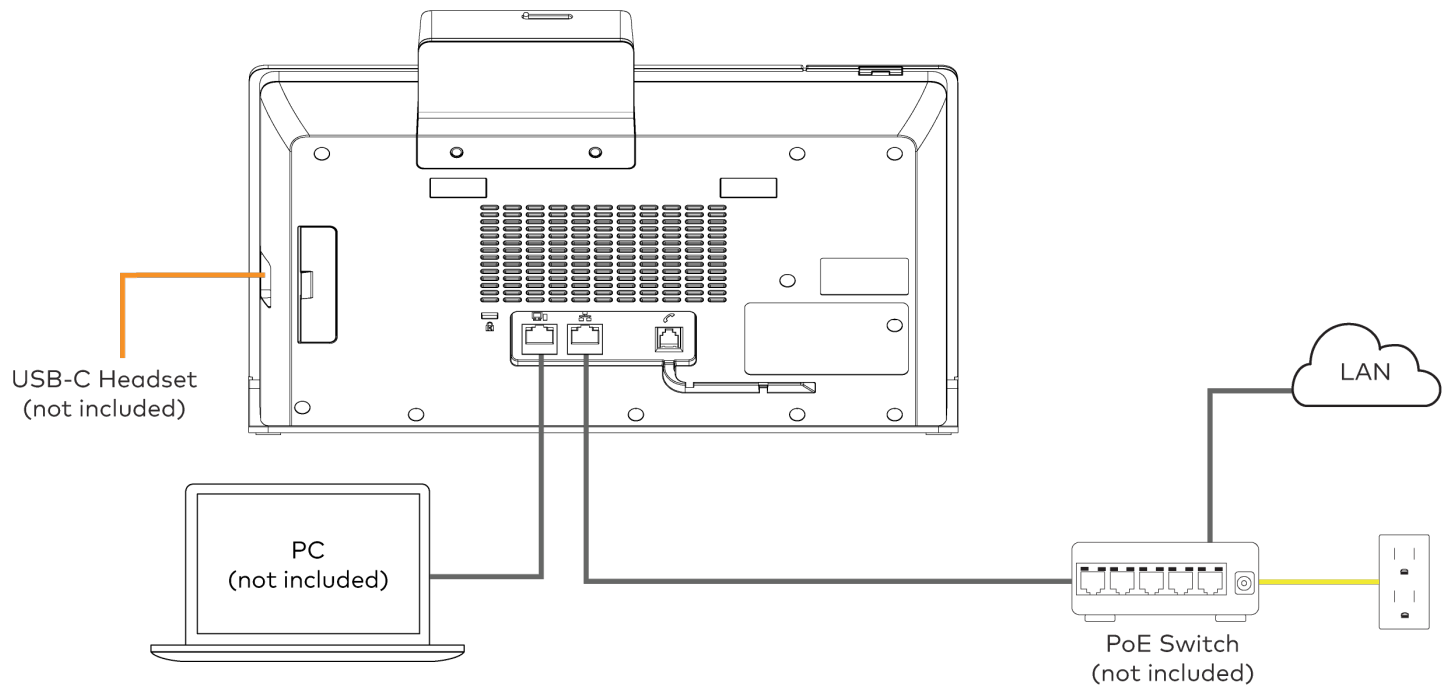
UC-P10-T-C, UC-P10-T-C-I, UC-P10-T-C-HS, and UC-P10-T-C-HS-I



Connections

UC-P10-T-C and UC-P10-T-C-I

- **CAT5e**
12 ft CAT5e cable for PoE
CAT5e cable for PC
(not included)
- **Power**
Power supply
- **USB**
USB Type-C cable
(not included)

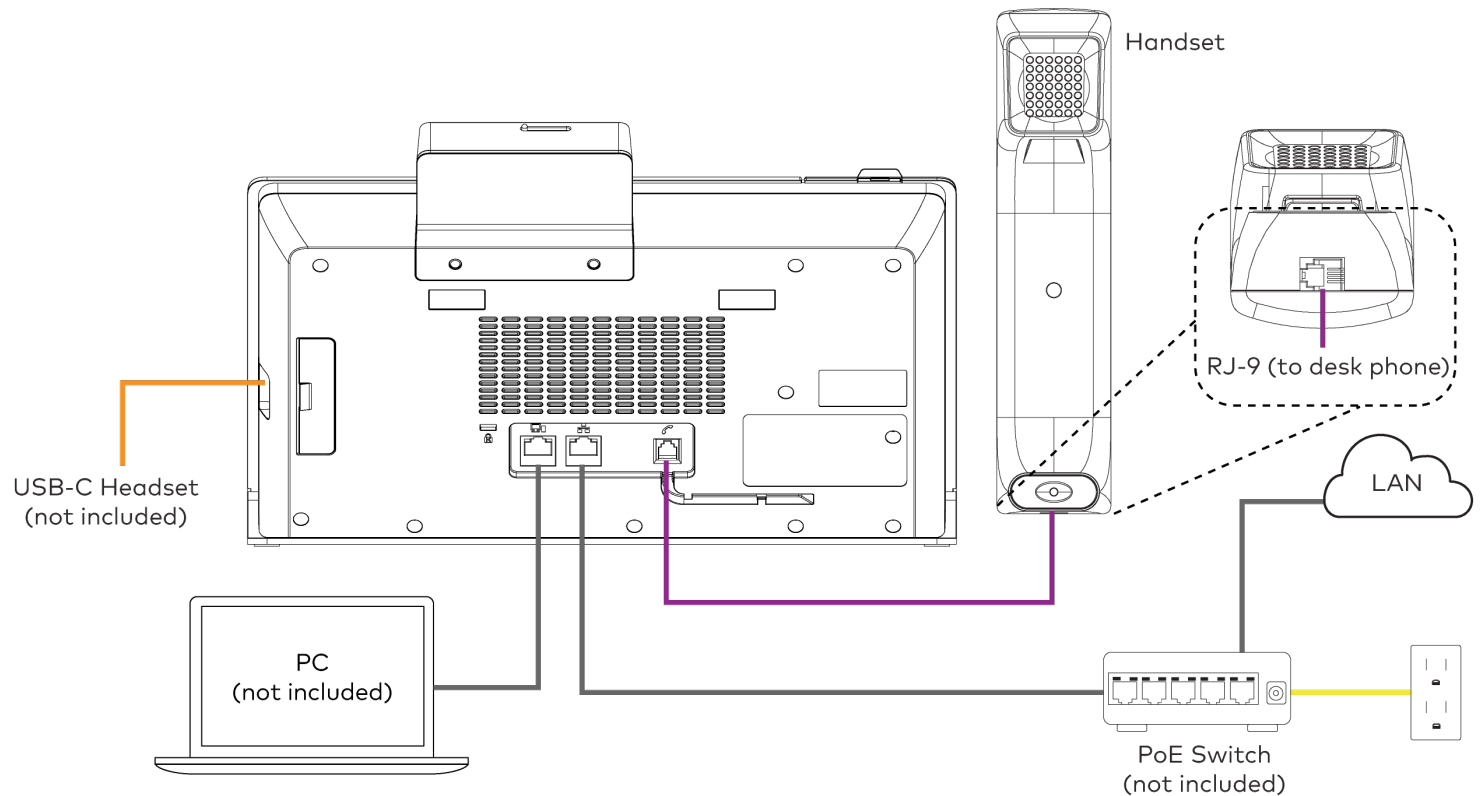


NOTE: All desk phones support both USB-C and Bluetooth® headsets, but only one can be used at a time.

UC-P10-T-C, UC-P10-T-C-I, UC-P10-T-C-HS, and UC-P10-T-C-HS-I

UC-P10-T-C-HS and UC-P10-T-C-HS-I

- CAT5e**
12 ft CAT5e cable for PoE
CAT5e cable for PC
(not included)
- Handset**
Handset cord
- Power**
Power supply
- USB**
USB Type-C cable
(not included)



NOTE: All desk phones support both USB-C and Bluetooth headsets, but only one can be used at a time.

UC-P10-T-C, UC-P10-T-C-I, UC-P10-T-C-HS, and UC-P10-T-C-HS-I

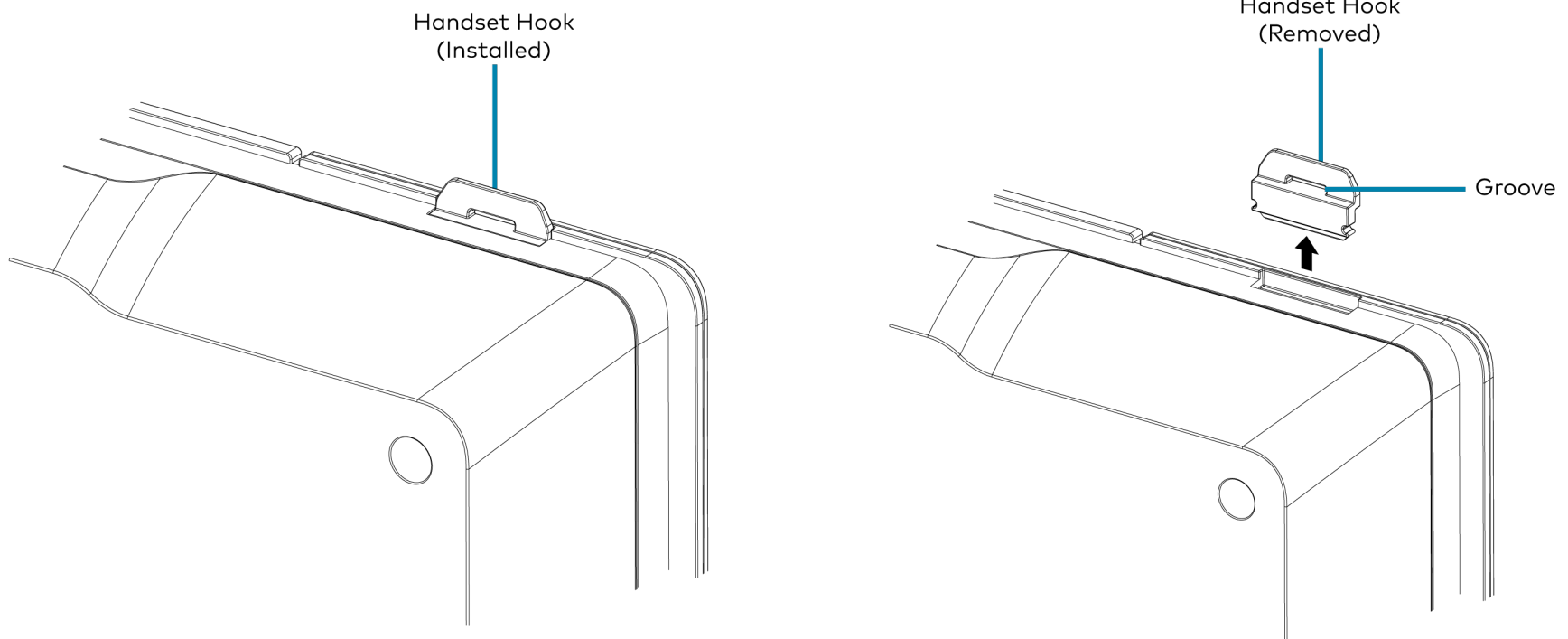


Replacing the Handset Hook with the Handset Plug

For a cleaner appearance, the handset hook can be replaced with the handset plug if not using the handset with the UC-P10-T-C-HS and UC-P10-T-C-HS-I desk phones.

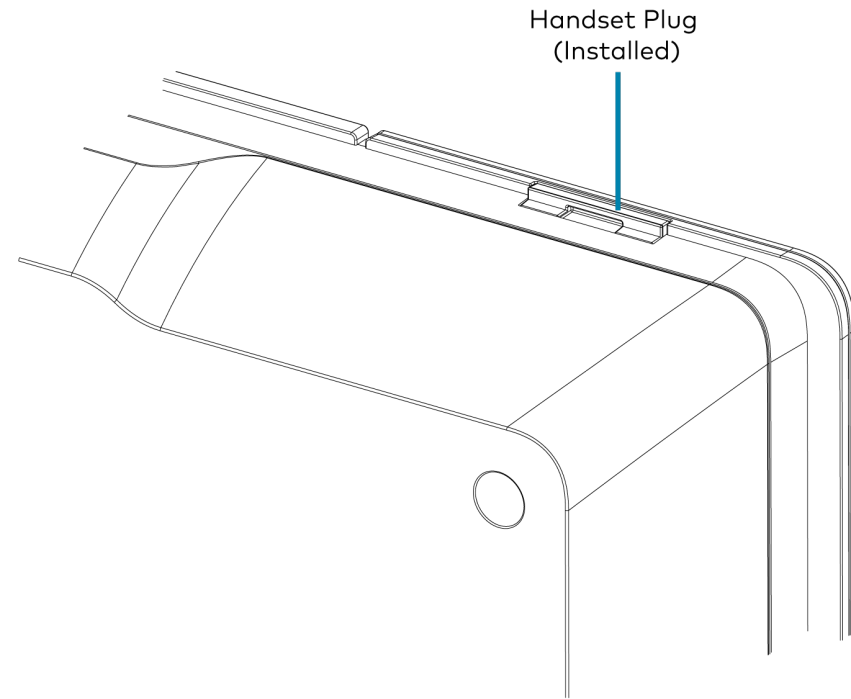
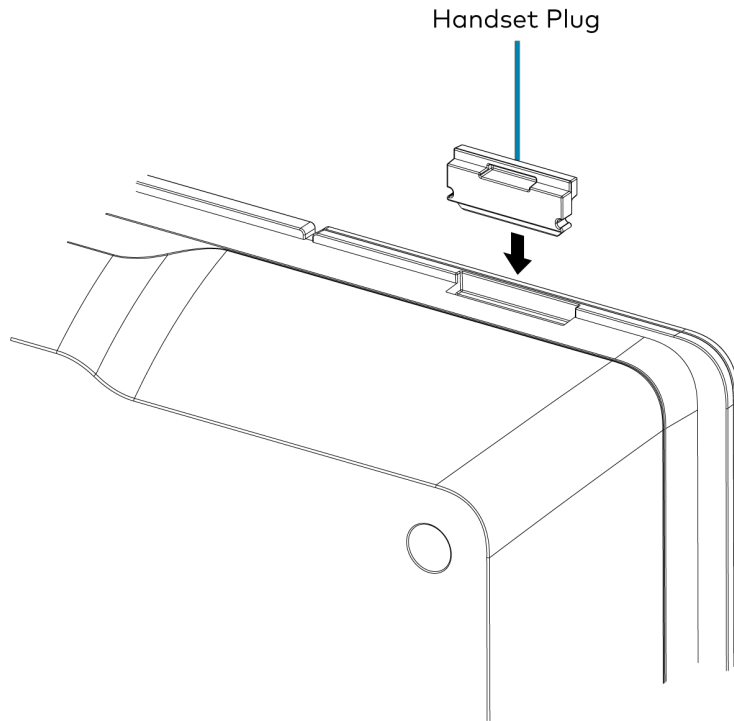
To replace the handset hook with the handset plug:

1. Insert a flat-tip screwdriver or similar tool into the groove to pull up and remove the handset hook from the desk phone, as shown below.



UC-P10-T-C, UC-P10-T-C-I, UC-P10-T-C-HS, and UC-P10-T-C-HS-I

2. Once the handset hook is removed, insert and push the handset plug into the recess as shown below.



UC-P10-T-C, UC-P10-T-C-I, UC-P10-T-C-HS, and UC-P10-T-C-HS-I



Sign Into Microsoft Teams

When prompted by the desk phone, tap **Sign In** and follow the on-screen instructions to sign into Microsoft Teams.



Configure

Use the phone's settings screens to configure the phone. The default password to access the administrator settings is "admin". Choose a new password when prompted.



Factory Reset

A factory reset may be performed when troubleshooting.

To perform a factory reset on the phone:

1. Power cycle the phone by disconnecting and reconnecting the Ethernet cable to the PoE switch.
2. When the phone powers on and the LEDs flash green, press and hold the Volume+ and Mute buttons together for at least 10 seconds.
3. When prompted, confirm the factory reset. Press Volume- and Volume+ to select the option, and press Mute for **OK**.
4. The phone will reboot.



Visit the Product Page

Scan the QR code to visit the product page.

UC-P10-T-C



www.crestron.com/model/6511680

UC-P10-T-C-I



www.crestron.com/model/6511688

UC-P10-T-C-HS



www.crestron.com/model/6511679

UC-P10-T-C-HS-I



www.crestron.com/model/6511687



Important Safety Instructions

WARNING: When using this product, basic precautions should always be followed, including the following:

1. Read these instructions carefully.
2. All cautions and warnings should be followed.
3. The equipment should only be used at maximum 40°C (104°F) ambient temperature.
4. Opening the equipment could result in electrical shock and should only be done by qualified service personnel.
5. Protect equipment from humidity.
6. Do not insert foreign objects or liquids into the openings, this could cause a fire or electrical shock.
7. Do not use chemical detergents to clean your device, use a soft dry cloth.
8. To avoid damage from electrical peaks unplug the device when it is not in use.
9. If one of the following situations arise, equipment has to be checked by qualified service personnel:
 - Liquid has penetrated into the equipment.
 - Equipment has been exposed to humidity.
 - Equipment has been dropped and/or is damaged.
 - Equipment has obvious sign of breakage.
 - Equipment does not work well or you cannot get it working according to user's manual.
10. Do not expose the equipment to water or place objects filled with water on top of it.



Instructions de sécurité importantes

Les avertissements: concernant l'utilisation de ce produit doivent toujours être fondés sur les précautions fondamentales, notamment:

1. Lisez attentivement ces notes.
2. Tous les avertissements et avertissements doivent être respectés.
3. L'équipement ne peut être utilisé qu'à une température ambiante maximale de 40°C (104°F).
4. L'ouverture de l'appareil peut provoquer un choc électrique qui ne peut être assuré que par un personnel d'entretien qualifié.
5. Empêcher l'humidité du dispositif.
6. Il est interdit d'introduire des objets étrangers ou liquides dans l'ouverture, faute de quoi cela pourrait provoquer un incendie ou un choc électrique.
7. Ne pas utiliser d'appareil de nettoyage chimique et utiliser un tissu sec souple.
8. Pour éviter les dommages de crête électrique, retirez la fiche d'alimentation lorsque le dispositif n'est pas utilisé.
9. Dans l'un des cas énoncés ci-dessous, le matériel doit être vérifié par un service qualifié:
 - Dispositif d'infiltration de liquide.
 - L'équipement est exposé à l'humidité.
 - Matériel tombé et / ou endommagé.
 - L'équipement a été endommagé.
 - Le matériel ne fonctionne pas correctement ou ne peut pas être utilisé conformément au Manuel de l'utilisateur.
10. L'équipement ne doit pas être exposé à l'eau ni être placé sur des objets remplis d'eau.

Additional Information

Original Instructions

The U.S. English version of this document is the original instructions. All other languages are a translation of the original instructions.

Regulatory Model:M202029001

Crestron product development software is licensed to Crestron dealers and Crestron Service Providers (CSPs) under a limited nonexclusive, nontransferable Software Development Tools License Agreement. Crestron product operating system software is licensed to Crestron dealers, CSPs, and end-users under a separate End-User License Agreement. Both of these Agreements can be found on the Crestron website at www.crestron.com/legal/software_license_agreement.

The product warranty can be found at www.crestron.com/warranty.

The specific patents that cover Crestron products are listed at www.crestron.com/legal/patents.

Certain Crestron products contain open source software. For specific information, visit www.crestron.com/opensource.

Crestron and the Crestron logo are either trademarks or registered trademarks of Crestron Electronics, Inc. in the United States and/or other countries. Kensington is either a trademark or registered trademark of ACCO Brands, Inc. in the United States and/or other countries. Bluetooth is either a trademark or registered trademark of Bluetooth SIG, Inc. in the United States and/or other countries. Microsoft Teams is either a trademark or registered trademark of Microsoft Corporation in the United States and/or other countries. USB-C is either a trademark or registered trademark of USB Implementers Forum, Inc. in the United States and/or other countries. Other trademarks, registered trademarks, and trade names may be used in this document to refer to either the entities claiming the marks and names or their products. Crestron disclaims any proprietary interest in the marks and names of others. Crestron is not responsible for errors in typography or photography.

©2021 Crestron Electronics, Inc.

Doc. 8953A

03/30/21