

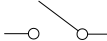
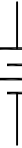



DRAWING GUIDE - Smart - UPS Li-Ion

| Component /Detail | Description |
|-------------------------|--|
| Drawing Guide | Smart-UPS Li-Ion, Short Depth SMTL1000RM2UCNC 120VAC Drawing Guide |
| UPS Isometric View | Smart-UPS Li-Ion, Short Depth SMTL1000RM2UCNC 120VAC UPS Isometric View |
| UPS General Arrangement | Smart-UPS Li-Ion, Short Depth SMTL1000RM2UCNC 120VAC UPS General Arrangement |
| UPS Rear View | Smart-UPS Li-Ion, Short Depth SMTL1000RM2UCNC 120VAC UPS Rear View |
| System One Line Diagram | Smart-UPS Li-Ion, Short Depth SMTL1000RM2UCNC 120VAC System One Line Diagram |

| LEGEND | | | |
|---|-----------------|--|----------------------------------|
| SYMBOL | DESCRIPTION | SYMBOL | DESCRIPTION |
|  | CIRCUIT BREAKER |  | DC-AC CONVERTER (INVERTER) |
|  | RELAY |  | BATTERY |
|  | GND | | |

THIS DRAWING AND SPECIFICATIONS HEREIN ARE THE PROPERTY OF SCHNEIDER ELECTRIC AND SHALL NOT BE COPIED, REPRODUCED OR USED IN WHOLE OR IN PART, AS THE BASIS FOR THE MANUFACTURE OR SALE OF ITEMS WITHOUT WRITTEN PERMISSION FROM SCHNEIDER ELECTRIC. THIS DRAWING IS BASED UPON LATEST AVAILABLE INFORMATION AND IS SUBJECT TO CHANGE WITHOUT NOTICE.

Schneider
Electric

TITLE: APC Smart-UPS Li-Ion
 Input: 120VAC, (L+N+G), 50/60Hz, 1PH, NEMA 5-15P
 UPS Output: 120VAC, (L+N+G), 50/60Hz, 1PH, (6)NEMA 5-15R
 SHORT DEPTH 1000VA UPS WITH SmartConnect & NMC
 DRAWING GUIDE

PROJECT: DRAWINGS SHEET 1 OF 5

DWG NO: SMTL1000RM2UCNC

REV. 0

DRAWN BY: RANJITHA 02-JUL-21

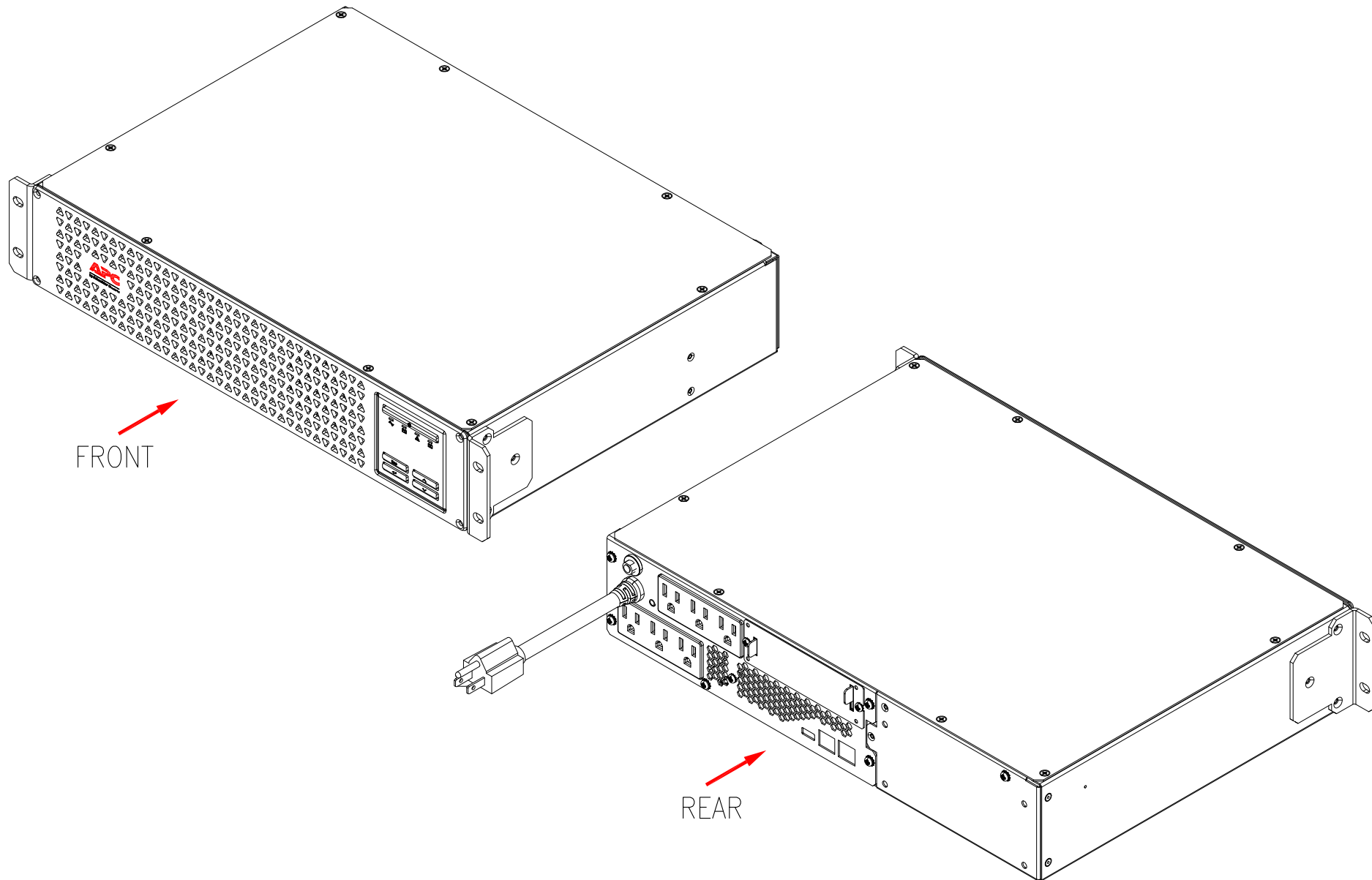
ANGLE

ENGINEER: SANTHOSH 31-JUL-21

PROJECTION

APPROVED BY: James FANG 31-JUL-21

N.A



UPS-ISOMETRIC VIEW

NOTES:

1. INSTALLATION SHALL COMPLY WITH ALL APPLICABLE NATIONAL, STATE AND LOCAL CODES.
2. REFER TO PRODUCT DOCUMENTATION FOR ADDITIONAL DETAILS PRIOR TO INSTALLATION AND SITE PREPARATION WORK.

THIS DRAWING AND SPECIFICATIONS HEREIN ARE THE PROPERTY OF SCHNEIDER ELECTRIC AND SHALL NOT BE COPIED, REPRODUCED OR USED IN WHOLE OR IN PART, AS THE BASIS FOR THE MANUFACTURE OR SALE OF ITEMS WITHOUT WRITTEN PERMISSION FROM SCHNEIDER ELECTRIC. THIS DRAWING IS BASED UPON LATEST AVAILABLE INFORMATION AND IS SUBJECT TO CHANGE WITHOUT NOTICE.



TITLE: APC Smart-UPS Li-Ion
 Input: 120VAC, (L+N+G), 50/60Hz, 1PH, NEMA 5-15P
 UPS Output: 120VAC, (L+N+G), 50/60Hz, 1PH, (6)NEMA 5-15R
 SHORT DEPTH 1000VA UPS WITH SmartConnect & NMC
 UPS-ISOMETRIC VIEW

PROJECT: DRAWINGS SHEET 2 OF 5

DWG NO: SMTL1000RM2UCNC

REV. 0

DRAWN BY: RANJITHA 02-JUL-21

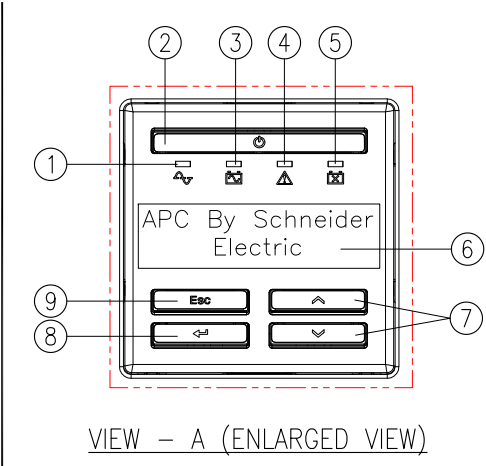
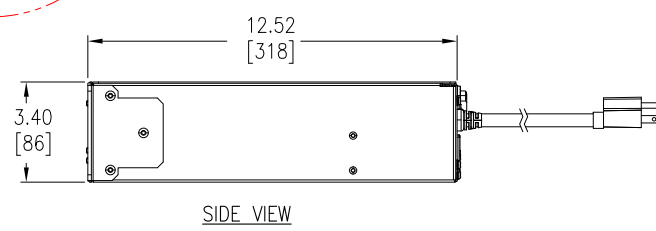
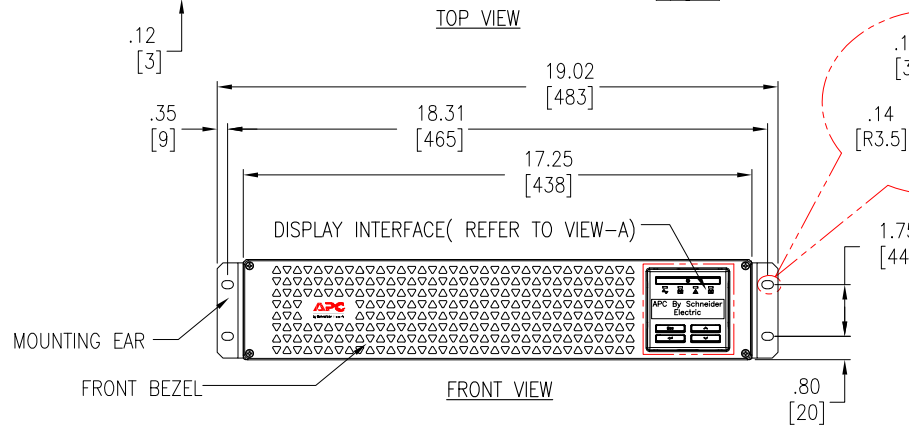
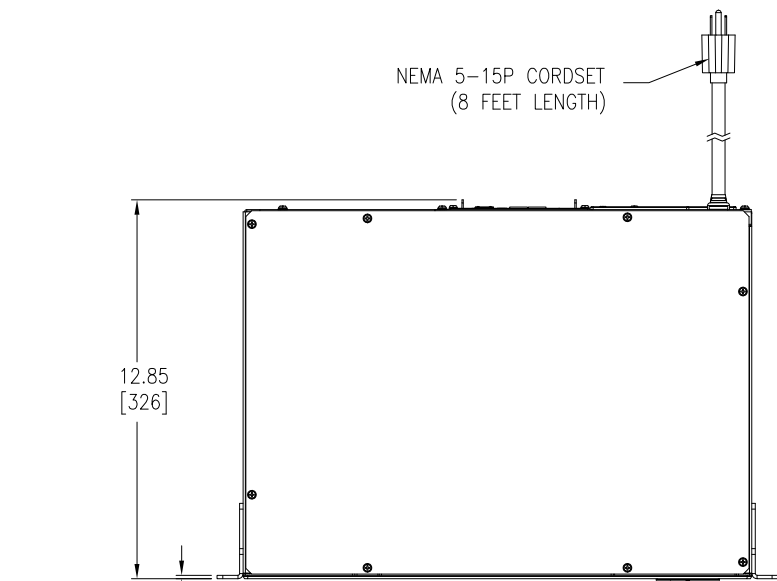
THIRD

ENGINEER: SANTHOSH 31-JUL-21

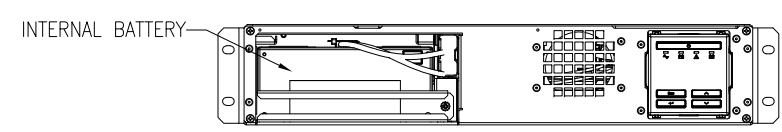
ANGLE

APPROVED BY: James FANG 31-JUL-21

PROJECTION



1. Online Indicator LED.
2. Ups Output ON/OFF Button.
3. On Battery Indicator LED.
4. Error Detected LED
5. Replace Battery Indicator LED
6. Multi Lingual Display Screen
7. UP/DOWN Selection Arrows
8. ENTER Button
9. ESCAPE Button



FRONT VIEW (INTERNAL)
(BEZEL REMOVED)

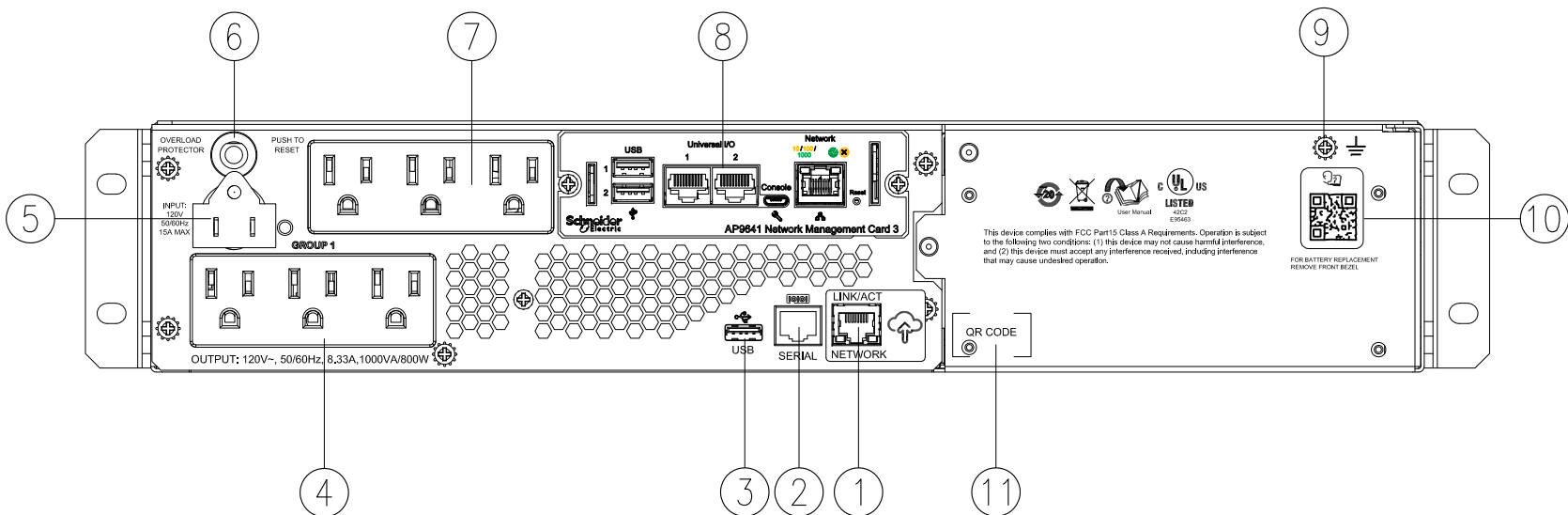
- NOTES:
1. INSTALLATION SHALL COMPLY WITH ALL APPLICABLE NATIONAL, STATE AND LOCAL CODES.
 2. REFER TO PRODUCT DOCUMENTATION FOR ADDITIONAL DETAILS PRIOR TO INSTALLATION AND SITE PREPARATION WORK.
 3. ALL DIMENSIONS ARE IN INCHES [MILLIMETERS].
 4. CABLE ENTRY IS FROM REAR OF UNIT.
 5. WEIGHT OF UNIT IS 36 lb [16.3 kg].

THIS DRAWING AND SPECIFICATIONS HEREIN ARE THE PROPERTY OF SCHNEIDER ELECTRIC AND SHALL NOT BE COPIED, REPRODUCED OR USED IN WHOLE OR IN PART, AS THE BASIS FOR THE MANUFACTURE OR SALE OF ITEMS WITHOUT WRITTEN PERMISSION FROM SCHNEIDER ELECTRIC. THIS DRAWING IS BASED UPON LATEST AVAILABLE INFORMATION AND IS SUBJECT TO CHANGE WITHOUT NOTICE.



TITLE: APC Smart-UPS Li-Ion
 Input: 120VAC, (L+N+G), 50/60Hz, 1PH, NEMA 5-15P
 UPS Output: 120VAC, (L+N+G), 50/60Hz, 1PH, (6)NEMA 5-15R
 SHORT DEPTH 1000VA UPS WITH SmartConnect & NMC
 GENERAL ARRANGEMENT
 PROJECT: DRAWINGS SHEET 3 OF 5

| | | | |
|--------------|-----------------|--------|------------|
| DWG NO: | SMTL1000RM2UCNC | REV: | 0 |
| DRAWN BY: | RANJITHA | DATE: | 02-JUL-21 |
| ENGINEER: | SANTHOSH | DATE: | 31-JUL-21 |
| APPROVED BY: | James FANG | DATE: | 31-JUL-21 |
| | | ANGLE: | PROJECTION |



REAR VIEW (ENLARGED)

- 1. APC SmartConnect Port
- 2. Serial Port
- 3. USB Port
- 4. Controlled Outlet Group 1 – NEMA 5–15R Outlets x (3)
- 5. UPS Input Power Cord (NEMA 5–15P Cordset)
- 6. Input Circuit Breaker
- 7. Main Outlet Group – NEMA 5–15R Outlets x (3)
- 8. Smart Slot
- 9. Chassis Ground Connection Screw
- 10. Link to online User Manual
- 11. Link to Smart Connect Setup

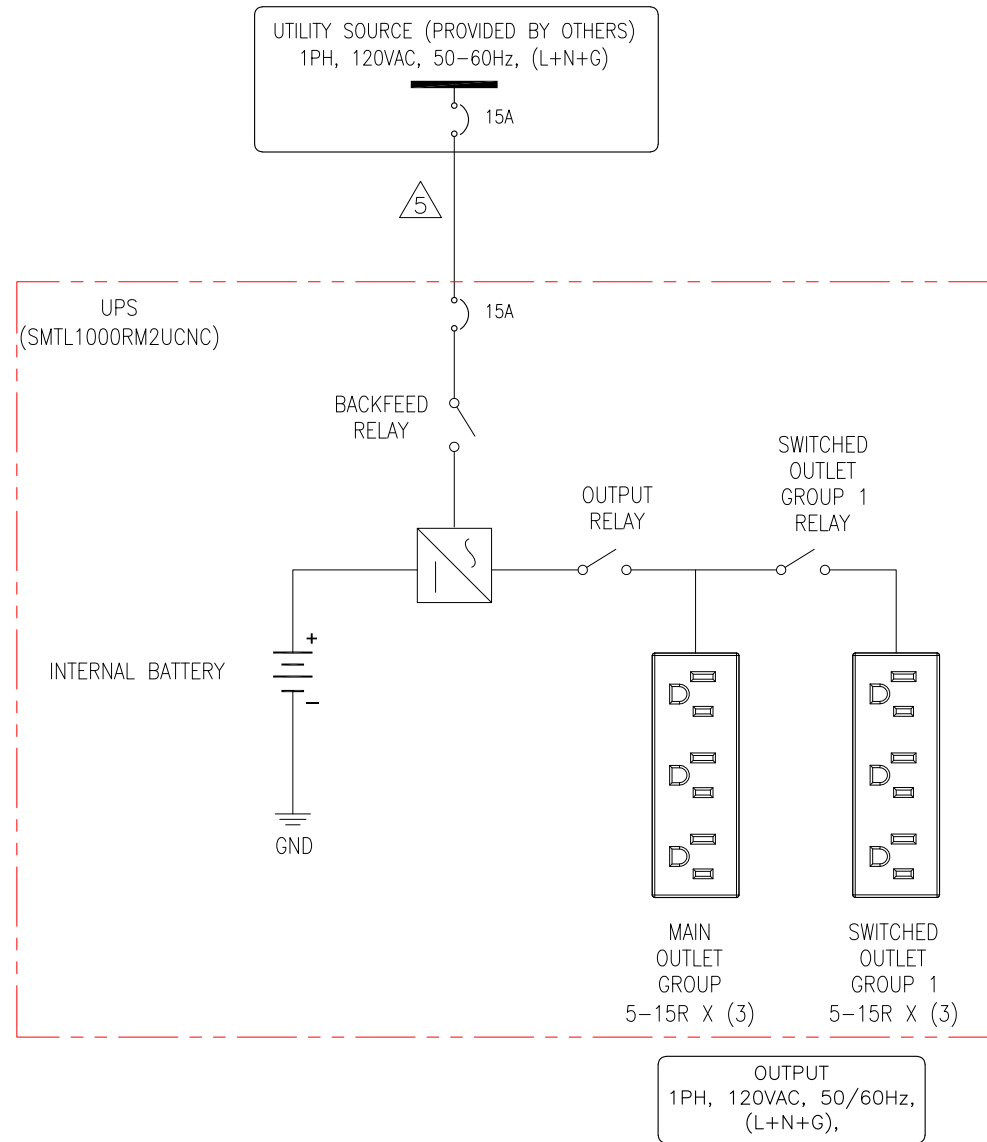
NOTES:
 1. INSTALLATION SHALL COMPLY WITH ALL APPLICABLE NATIONAL, STATE AND LOCAL CODES.
 2. REFER TO PRODUCT DOCUMENTATION FOR ADDITIONAL DETAILS PRIOR TO INSTALLATION AND SITE PREPARATION WORK.

THIS DRAWING AND SPECIFICATIONS HEREIN ARE THE PROPERTY OF SCHNEIDER ELECTRIC AND SHALL NOT BE COPIED, REPRODUCED OR USED IN WHOLE OR IN PART, AS THE BASIS FOR THE MANUFACTURE OR SALE OF ITEMS WITHOUT WRITTEN PERMISSION FROM SCHNEIDER ELECTRIC. THIS DRAWING IS BASED UPON LATEST AVAILABLE INFORMATION AND IS SUBJECT TO CHANGE WITHOUT NOTICE.



TITLE: APC Smart-UPS Li-Ion
 Input: 120VAC, (L+N+G), 50/60Hz, 1PH, NEMA 5-15P
 UPS Output: 120VAC, (L+N+G), 50/60Hz, 1PH, (6)NEMA 5-15R
 SHORT DEPTH 1000VA UPS WITH SmartConnect & NMC
 REAR VIEW
PROJECT: DRAWINGS **SHEET** 4 OF 5

| | |
|--------------------------------|------------------------|
| DWG NO: SMTL1000RM2UCNC | REV. 0 |
| DRAWN BY: RANJITHA | 02-JUL-21 |
| ENGINEER: SANTHOSH | 31-JUL-21 |
| APPROVED BY: James FANG | 31-JUL-21 |
| | THIRD ANGLE PROJECTION |



NOTES:

1. INSTALLATION SHALL COMPLY WITH ALL APPLICABLE NATIONAL, STATE AND LOCAL CODES.
 2. REFER TO PRODUCT DOCUMENTATION FOR ADDITIONAL DETAILS PRIOR TO INSTALLATION AND SITE PREPARATION WORK.
 3. DRAWING DEPICTS POWER SYSTEM CONNECTIONS AND IS NOT REPRESENTATIVE OF PHYSICAL LAYOUT. PLEASE REFER TO MECHANICAL DRAWINGS FOR MORE SPECIFIC PHYSICAL DATA.
 4. UTILITY SOURCE MUST BE 1PH, 120VAC (L+N+G), 50/60Hz PROVIDED BY OTHERS.
- △5. CORDSET 8 FEET, NEMA 5-15P IS PART OF UPS.

THIS DRAWING AND SPECIFICATIONS HEREIN ARE THE PROPERTY OF SCHNEIDER ELECTRIC AND SHALL NOT BE COPIED, REPRODUCED OR USED IN WHOLE OR IN PART, AS THE BASIS FOR THE MANUFACTURE OR SALE OF ITEMS WITHOUT WRITTEN PERMISSION FROM SCHNEIDER ELECTRIC. THIS DRAWING IS BASED UPON LATEST AVAILABLE INFORMATION AND IS SUBJECT TO CHANGE WITHOUT NOTICE.



TITLE: APC Smart-UPS Li-Ion
Input: 120VAC, (L+N+G), 50/60Hz, 1PH, NEMA 5-15P
UPS Output: 120VAC, (L+N+G), 50/60Hz, 1PH, (6)NEMA 5-15R
SHORT DEPTH 1000VA UPS WITH SmartConnect & NMC
SYSTEM ONLINE DIAGRAM

PROJECT: DRAWINGS **SHEET 5 OF 5**

| | |
|--------------------------------|-----------------------------|
| DWG NO: SMTL1000RM2UCNC | REV. 0 |
| DRAWN BY: RANJITHA | 02-JUL-21 |
| ENGINEER: SANTHOSH | 31-JUL-21 |
| APPROVED BY: James FANG | 31-JUL-21 |
| | ANGLE PROJECTION N.A. |