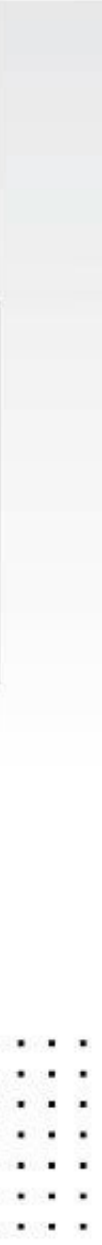


FortiCam-CD51/CD55 Mounting Guide



FORTINET DOCUMENT LIBRARY

<https://docs.fortinet.com>

FORTINET VIDEO GUIDE

<https://video.fortinet.com>

FORTINET BLOG

<https://blog.fortinet.com>

CUSTOMER SERVICE & SUPPORT

<https://support.fortinet.com>

FORTINET COOKBOOK

<https://cookbook.fortinet.com>

FORTINET TRAINING SERVICES

<https://www.fortinet.com/training>

FORTIGUARD CENTER

<https://www.fortiguard.com>

END USER LICENSE AGREEMENT

<https://www.fortinet.com/doc/legal/EULA.pdf>

FEEDBACK

Email: techdocs@fortinet.com



July 27, 2023

Table of contents

Table of contents	3
Change Log	4
Warnings and cautions	5
Available mounting accessories	6
Mounting options using pendant cap covered in the Pendant Cap Mounting Guide.....	8
Mounting plate usage.....	9
EMT adapter usage	10
L-type bracket for wall mounting	11
Pendant cap	12
Junction box	13
Combinations	14

Change log

.Date	Change Description
2021-09-17	Initial release.
2022-12-14	Pendant cap mounting guide, including pole and ceiling mount options.
2023-07-26	Bug fix. (Remove incorrect warning about rain and water.)

Warnings and cautions

- **Handle the camera carefully**
Do not abuse the camera. The camera can be damaged by improper handling or storage.
- **Do not disassemble the camera**
To prevent electric shock, do not remove screws or covers. There are no user serviceable parts inside. Ask a qualified service person for servicing.
- **Do not operate the camera beyond the specified temperature, humidity, or power source ratings**
Use the camera under conditions where temperature is between -40°C ~ 50°C (-40°F ~ 122°F), and relative humidity is below 90%.
- **Do not use strong or abrasive detergents when cleaning the camera body**
Use a dry cloth to clean the camera when it is dirty. If the dirt is hard to remove, use a mild detergent and wipe the camera gently.
- **Never aim the camera toward the sun**
Do not aim the camera at bright objects. Whether the camera is in use or not, never aim it at the sun or other extremely bright objects. Otherwise, the camera may be smeared or damaged.
- **Only remove the protective wrap from the camera lens when the entire installation is completed**
The clear bubble must be protected to avoid damage and scratches.
- **Ensure the inside of the dome cover is free of dust and particles**
Gently wipe the inside with a clean, lint free cloth or blow the dust away before installing the dome cover and removing the protective wrap.
- **Ensure no moisture gets trapped inside the camera**
Replace the dry pack found inside the camera with the fresh one from the protective pouch in the box.
- **Avoid IR light reflecting back into lens at night**
If close objects are illuminated by the infrared LEDs at night, it may cause reflections in the video image. To avoid this, position the camera with no nearby objects, even outside the optical field of view cone. FortiCam-CD55 has a zoom lens that may need to be set to a more narrow tele angle for optimum night image quality.

Available mounting accessories

FortiCam-CD51 and FortiCam-CD55 come with accessories that allow installation in most locations.

- EMT adapter (for 3/4" pipes)
- Mounting plate
- Ceiling tile clips

You can also order any of the following mounting accessories for your installation requirements:

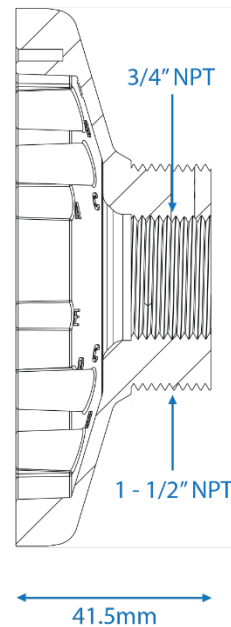
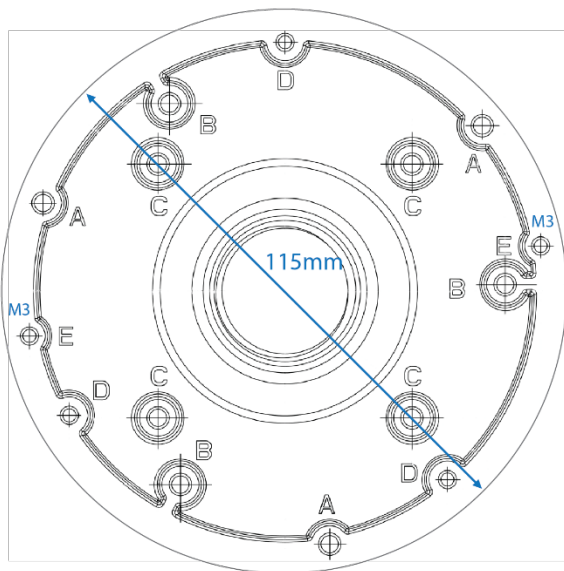
FortiCam-CD5-Mount-PCP

SKU: FCM-CD5-PCP 4

Pendant Cap Mount Kit for FCM-CD51/CD55 (set of 4)

Included: 4x M4 bolts, 3x M3 bolts, 1x M6 set screw, Allen key

Note: Dimensions in the diagram are in millimeters.

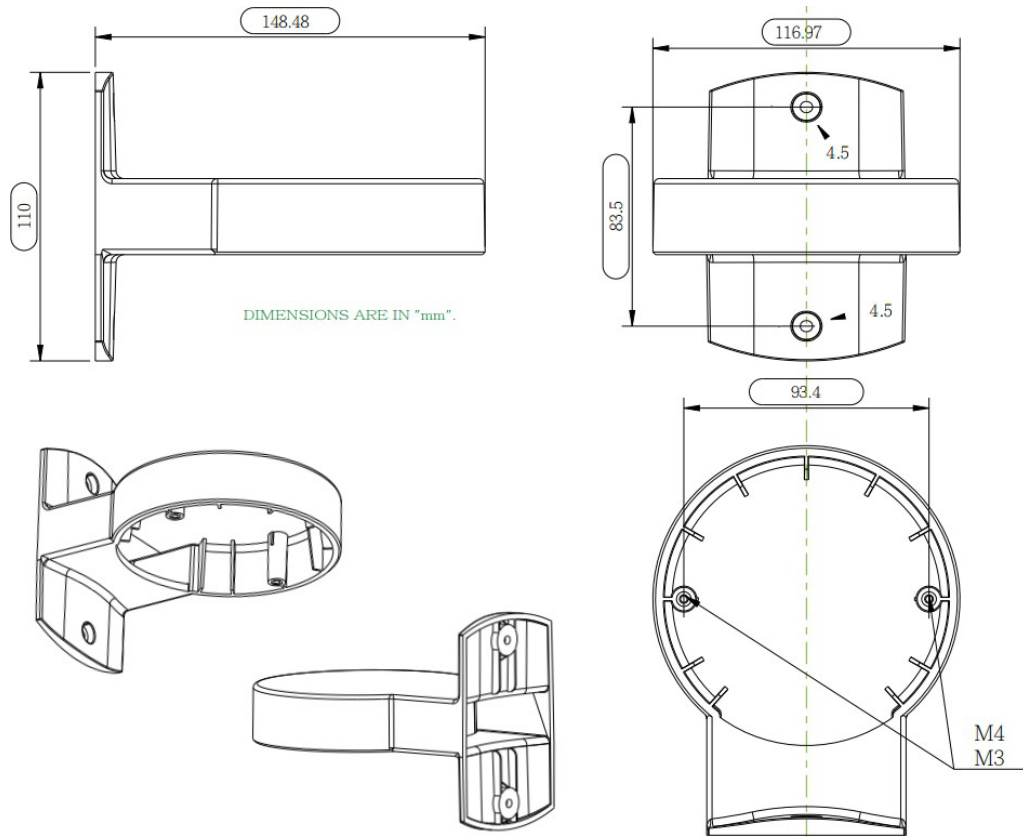


FortiCam-CD5-Mount-WMT

SKU: FCM-CD5-WMT 8

Wall Mount Kit for FCM-CD51/CD55 (set of 8) Included: 2x screw and plug kit, 2x M4 bolts.

Note: Dimensions in the diagram are in millimeters.



Mounting options using pendant cap covered in the Pendant Cap Mounting Guide

The pendant cap FCM-CD5-PCP allows combining the CD51/55 cameras with a system of mounting accessories that is shared with other cameras.

For pendant cap based mounting instructions using additional accessories including:

- Pendant arm
- Junction box
- Pole mount kit
- Drop tube header
- Drop tube

Note: For more information on the pendant cap mounting system, see the [Pendant Cap Mounting Guide](#).

The Pendant Mounting Guide includes the following mounting scenarios:

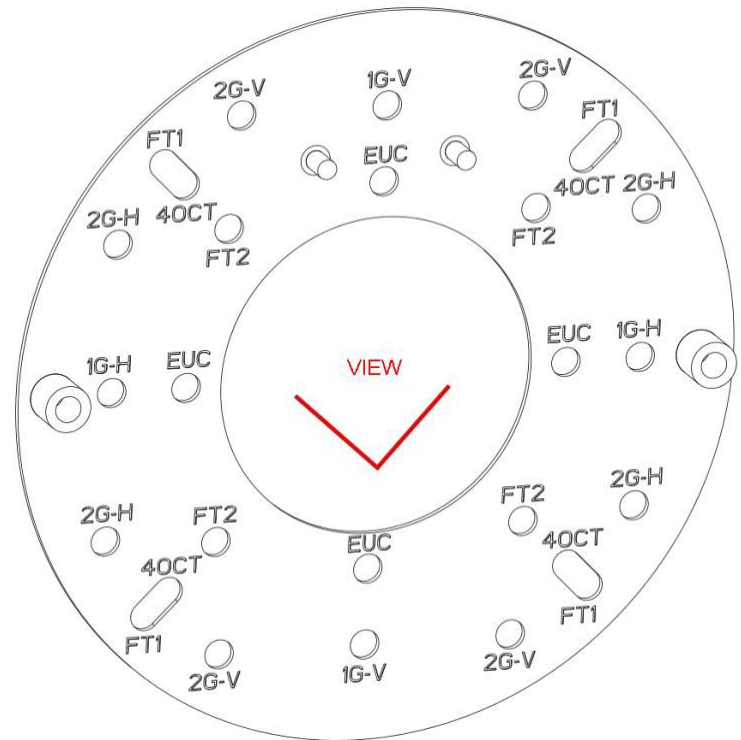
- Wall mount with pendant arm.
- Wall mount with pendant arm and junction box.
- Pole mount with pendant arm and pole bracket.
- Pole mount with pendant arm, junction box and pole bracket.
- Ceiling mount with pendant head and straight tube.

Mounting plate usage

The included mounting plate allows universal attachment to a wide range of surfaces and devices. It is recommended to mount the plate first and prepare all cabling before bringing the camera to the installation site. This protects the camera from construction debris. Mounting the camera to the plate is quick and easy with the two M4 sockets.

Use the mounting plate to attach the camera to:

- Walls and ceilings
- Commercially available junction and switch boxes (see list below)
- Fortinet pendant cap (FCM-CD5-PCP)
- L-type wall mount (FCM-CD5-WMT)
- Fortinet junction box (FCM-FB5-JBX)



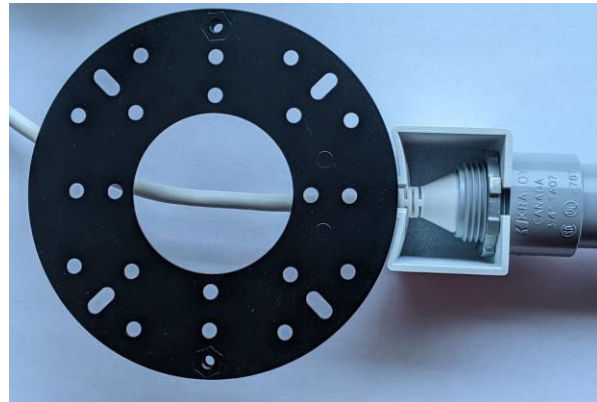
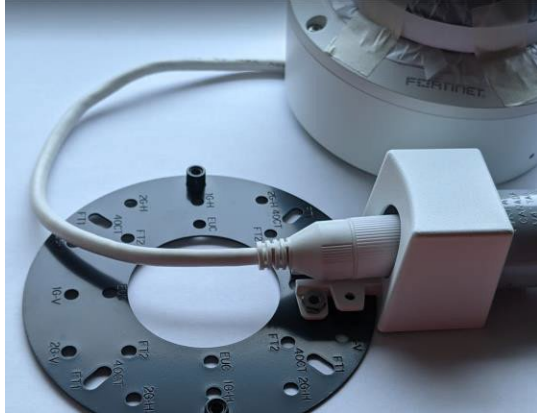
Hole	Function
1G-V	1-gang NA junction box, vertical mount
1G-H	2-gang NA junction box, horizontal mount
2G-V	2-gang NA junction box, vertical mount
2G-H	2-gang NA junction box, horizontal mount
4OCT	4" octagon NA junction box
EUC	EU/UK/China junction box
FT1	General wall or ceiling mount, Fortinet pendant cap (FCM-CD5-PCP) and L-type wall (FCM-CD5-WMT) mount
FT2	Fortinet junction box (FCM-FB5-JBX) mount

EMT adapter usage

The included EMT adapter is used to attach the camera to electro-mechanical tubing, a common installation technique in commercial sites. It allows clean and secure cable runs.

The EMT adapter fits 3/4" size tubing which is large enough to hold the weatherproof Ethernet connector inside the tubing.

Adapter plate, EMT adapter, and tubing can be pre-installed on location without the cameras.



Optionally, the EMT adapter can replace the mouse hole-cover directly at the camera body. Installation is easier when the 3/4" locking nut is **not** used.



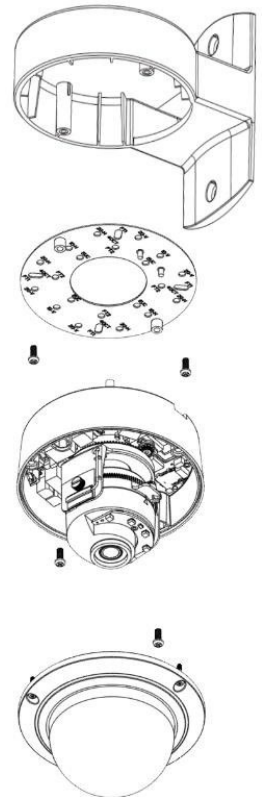
L-type bracket for wall mounting

The L-type bracket FortiCam-CD5-Mount-WMT offers a convenient option for wall mounting. It offers:

- space to store the Ethernet connector, and
- distance from the adjacent wall to improve IR reflections

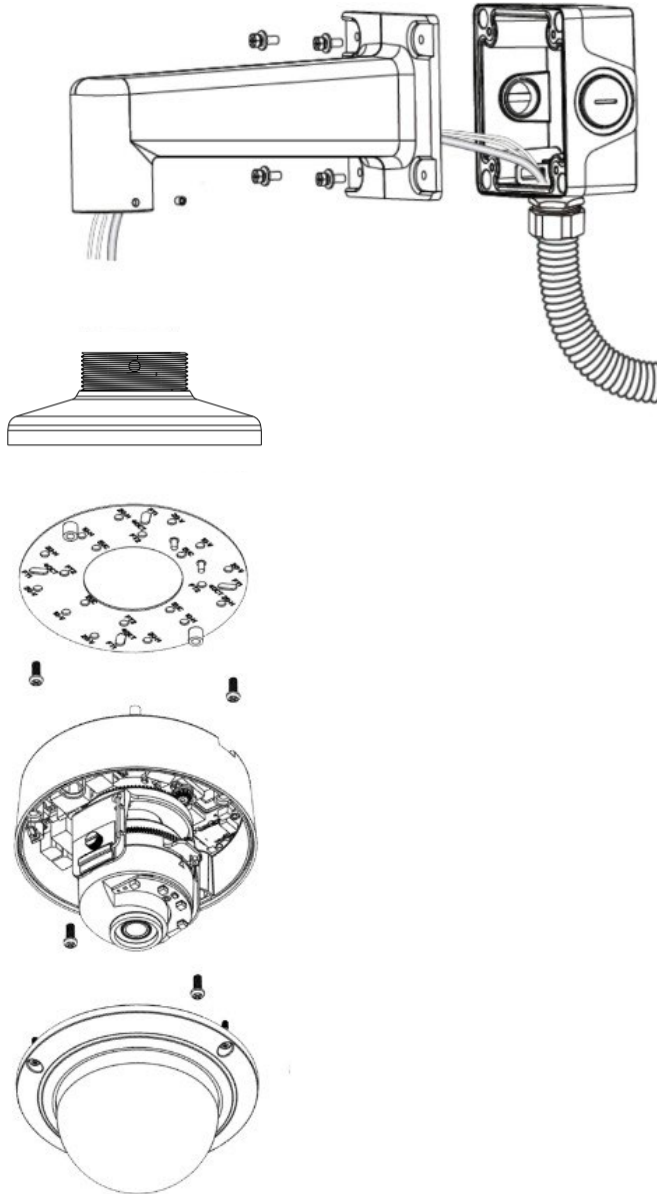
To install with the L-type bracket:

1. Thread the cable through the bracket.
2. Mount the bracket on the wall with the included screws and anchors.
3. Attach the mounting plate to the bracket with two of the supplied machine bolts (M4 x 10mm) using opposing FT1 positions.
4. Connect the cable with the camera optionally using the waterproof connector. Tug the connector into the top of the bracket.
5. Open camera housing using the three cover screws without removing the protective wrap from the lens.
6. Place the camera on the mounting plate so the sockets fit into the matching recesses on the camera bottom.
7. Fasten the camera with two of the supplied machine bolts (M4 x 10mm) to the sockets.
8. Adjust the camera's pan, tilt, and rotation angle.
9. Replace the dry pack found inside the camera with the fresh one from the protective pouch in the box. Ensure no moisture gets trapped inside the camera.
10. Ensure the inside of the dome cover is free of dust and particles by gently wiping the inside with a clean lint free cloth or blowing the dust away.
11. Install the dome cover and remove the protective wrap.



Pendant cap

The pendant cap FortiCam-CD5-Mount-PCP allows combining FortiCam-CD51/55 cameras with threaded mounting accessories like pendant arm or drop ceiling tubes.



1. Mount the pendant arm with or without the junction box to a wall or a pole. For details, see the [Pendant Cap Mounting Guide](#)
2. Screw pendant cap into pendant arm and secure with set screw.
3. Attach the mounting plate to the pendant cap with two of the supplied machine bolts (M4 x 10mm) using opposing FT1 positions and pendant cap holes marked E.
4. Open camera housing using the three cover screws without removing the protective wrap from the lens.
5. Connect the cable with the camera optionally using the waterproof connector. Tug the connector into the pendant cap.
6. Place the camera on the mounting plate so the sockets fit into the matching recesses on the camera bottom.
7. Fasten the camera with two of the supplied machine bolts (M4 x 10mm) to the sockets.
8. Adjust the camera's pan, tilt, and rotation angle.
9. Replace the dry pack found inside the camera with the fresh one from the protective pouch in the box. Ensure no moisture gets trapped inside the camera.
10. Ensure the inside of the dome cover is free of dust and particles by gently wiping the inside with a clean lint free cloth or blowing the dust away.
11. Install the dome cover and remove the protective wrap.

Junction box

In situations that require a larger space for cable routing, but not the pendant arm, it is possible to directly mount the CD51/55 camera to a FortiCam-FB50-Mount-JBX (SKU: FCM-FB5-JBX-4) Junction box.



1. Use the Mounting Guide for FortiCam-FB50 for instructions on how to mount the junction box to a wall or ceiling. <https://docs.fortinet.com/product/fortirecorder/hardware>
2. Attach the mounting plate to the junction box cover with two of the supplied machine bolts (M4 x 10mm) using opposing FT2 positions.
3. Open camera housing using the three cover screws without removing the protective wrap from the lens.
4. Connect the cable with the camera optionally using the waterproof connector. The rubber plug in the central opening seals the cable from the camera. Keep the connector inside the junction box.
5. Place the camera on the mounting plate so the sockets fit into the matching recesses on the camera bottom.
6. Fasten the camera with two of the supplied machine bolts (M4 x 10mm) to the sockets.
7. Adjust the camera's pan, tilt, and rotation angle.
8. Replace the dry pack found inside the camera with the fresh one from the protective pouch in the box. Ensure no moisture gets trapped inside the camera.
9. Ensure the inside of the dome cover is free of dust and particles by gently wiping the inside with a clean lint free cloth or blowing the dust away.
10. Install the dome cover and remove the protective wrap.

Combinations

Wall mount

└ Direct	CD51/55
└ With adapter plate	CD51/55
└ With EMT adapter	CD51/55
└ On COTS junction box	CD51/55
└ With EMT adapter	CD51/55
└ L-type bracket	CD51/55 + CD5-WMT
└ Pendant cap + Pendant Arm	CD51/55 + CD5-PCP + FD5-PDT
└ Pendant cap + Pendant Arm + Junction box	CD51/55 + CD5-PCP + FD5-PDT + FB5-JBX

Pole mount

└ Pendant cap + Pendant Arm + Pole mount	CD51/55 + CD5-PCP + FD5-PDT + MOUNT-POL
└ Pendant cap + Pendant Arm + Junction box + Pole mount	CD51/55 + CD5-PCP + FD5-PDT + FB5-JBX + MOUNT-POL

Ceiling mount

└ Direct	CD51/55
└ With adapter plate	CD51/55
└ With EMT adapter	CD51/55
└ On COTS junction box	CD51/55
└ With EMT adapter	CD51/55
└ T-Bar tiled ceiling	
└ ¾" bars	CD51/55
└ 1" bars	CD51/55
└ Drop pole	
└ With adapter plate	
└ With COTS junction box as cap	CD51/55
└ With pendant cap and ¾ EMT tubing	CD51/55 + CD5-PCP
└ With pendant cap, pendant head and straight tube	CD51/55 + CD5-PCP + MOUNT-STH + MOUNT-ST20



Copyright© 2023 Fortinet, Inc. All rights reserved. Fortinet®, FortiGate®, FortiCare® and FortiGuard®, and certain other marks are registered trademarks of Fortinet, Inc., in the U.S. and other jurisdictions, and other Fortinet names herein may also be registered and/or common law trademarks of Fortinet. All other product or company names may be trademarks of their respective owners. Performance and other metrics contained herein were attained in internal lab tests under ideal conditions, and actual performance and other results may vary. Network variables, different network environments and other conditions may affect performance results. Nothing herein represents any binding commitment by Fortinet, and Fortinet disclaims all warranties, whether express or implied, except to the extent Fortinet enters a binding written contract, signed by Fortinet's General Counsel, with a purchaser that expressly warrants that the identified product will perform according to certain expressly-identified performance metrics and, in such event, only the specific performance metrics expressly identified in such binding written contract shall be binding on Fortinet. For absolute clarity, any such warranty will be limited to performance in the same ideal conditions as in Fortinet's internal lab tests. In no event does Fortinet make any commitment related to future deliverables, features, or development, and circumstances may change such that any forward-looking statements herein are not accurate. Fortinet disclaims in full any covenants, representations, and guarantees pursuant hereto, whether express or implied. Fortinet reserves the right to change, modify, transfer, or otherwise revise this publication without notice, and the most current version of the publication shall be applicable.