

CAB-D-2Q-200G-XM-AO

Arista Networks® Compatible and TAA Compliant 200GBase-CU QSFP-DD 200G to 2xQSFP28 100G NRZ Direct Attach Cable (Passive Twinax, Up to 2.5m)

Features

- Compliant with QSFP-DD MSA Specification Rev 3.4
- SFF-8679 electrical interface compliant
- SFF-8636 management interface support
- Compatible with IEEE 802.3bj, IEEE 802.3by, IEEE 802.3cd
- Supports aggregate data rates of 100 and 200Gbps
- I2C for EEPROM communication
- Pull-to-release slide latch design
- 28AWG through 32AWG cable
- Excellent EMI/EMC performance 360-degree cable shield termination
- Advantage dual side pre-solder automated assembly technologies
- Low loss, stronger mechanical features, more flexible
- ROHS-6 Compliant



Applications

- Switches, Servers and Routers
- Data Center Networks
- Storage Area Networks
- High Performance Computing
- Telecommunications and wireless infrastructure

Product Description

This is an Arista Networks® compatible TAA compliant 200GBase-CU QSFP-DD 200G to 2xQSFP28 100G NRZ direct attach cable that operates over passive copper with a maximum reach of up to 2.5m (8.2ft). It has been programmed, uniquely serialized, and data-traffic and application tested to ensure it is 100% compliant and functional. This direct attach cable is TAA (Trade Agreements Act) compliant, and is built to comply with MSA (Multi-Source Agreement) standards. We stand behind the quality of our products and proudly offer a limited lifetime warranty.

ProLabs' direct attach cables are RoHS compliant and lead-free.

TAA refers to the Trade Agreements Act (19 U.S.C. & 2501-2581), which is intended to foster fair and open international trade. TAA requires that the U.S. Government may acquire only "U.S. – made or designated country end products."



Order Information

| Part Number | Description |
|-----------------------|---|
| CAB-D-2Q-200G-1M-AO | Arista Networks® CAB-D-2Q-200G-1M Compatible and TAA Compliant 200GBase-CU QSFP-DD 200G to 2xQSFP28 100G NRZ Direct Attach Cable (Passive Twinax, 1m) |
| CAB-D-2Q-200G-2M-AO | Arista Networks® CAB-D-2Q-200G-2M Compatible and TAA Compliant 200GBase-CU QSFP-DD 200G to 2xQSFP28 100G NRZ Direct Attach Cable (Passive Twinax, 2m) |
| CAB-D-2Q-200G-2-5M-AO | Arista Networks® CAB-D-2Q-200G-2-5M Compatible and TAA Compliant 200GBase-CU QSFP-DD 200G to 2xQSFP28 100G NRZ Direct Attach Cable (Passive Twinax, 2.5m) |

Regulatory Compliance

| Certification | Standard |
|------------------|---|
| Laser Eye Safety | IEC: 60825-1, 3 rd Edition FDA: CFR-21 Sections 1040.10 and 1040.11 |
| Product Safety | TUV: EN62368-1 UL/CSA 60950-1 |
| EMC/EMI | FCC: Part 15 sb.B EN: 55032/55024 |

Mechanical Characteristics

| Length | Wire Gauge | Cable OD | Cable Jacket Material | Flammability Rating |
|--------|------------|----------|-----------------------|---------------------|
| 1m | 32 AWG | 3.8mm | PVC | VW-1 |
| 2m | 28AWG | 4.93mm | PVC | VW-1 |
| 2.5m | 28AWG | 4.93mm | PVC | VW-1 |

Electrical Characteristics

| Parameter | Specification |
|-----------------------------------|-----------------------|
| Impedance | 100 ohm |
| Data Rate | 28Gbps per lane (NRZ) |
| Voltage | 3.3V DC |
| Current (signal application only) | 0.75A |
| Operating Temperature | -10°C to 55°C |
| Storage Temperature | -10°C to 55°C |
| High Speed Compliant | IEEE 802.3cd |

QSFP-DD to 2xQSFP Wiring Schematic

| P3 QSFP-DD | | | P1 QSFP28 | |
|------------|-----------|---|-----------|----------|
| GND | 1 | | 20 | GND |
| TX2- | 2 | ↔ | 21 | RX2- |
| TX2+ | 3 | ↔ | 22 | RX2+ |
| GND | 4 | | 23 | GND |
| TX4- | 5 | ↔ | 24 | RX4- |
| TX4+ | 6 | ↔ | 25 | RX4+ |
| GND | 7 | | 26 | GND |
| ModseIL | 8 | | 27 | ModPrsL |
| ResetL | 9 | | 28 | InIL |
| VccRx | 10 | | 29 | VccTx |
| SCL | 11 | | 30 | VccI |
| SDA | 12 | | 31 | Reserved |
| GND | 13 | | 32 | GND |
| RX3+ | 14 | ↔ | 33 | TX3+ |
| RX3- | 15 | ↔ | 34 | TX3- |
| GND | 16 | | 35 | GND |
| RX1+ | 17 | ↔ | 36 | TX1+ |
| RX1- | 18 | ↔ | 37 | TX1- |
| GND | 19 | | 38 | GND |
| | | | | |
| GND | 20 | | 1 | GND |
| RX2- | 21 | ↔ | 2 | TX2- |
| RX2+ | 22 | ↔ | 3 | TX2+ |
| GND | 23 | | 4 | GND |
| RX4- | 24 | ↔ | 5 | TX4- |
| RX4+ | 25 | ↔ | 6 | TX4+ |
| GND | 26 | | 7 | GND |
| ModPrsL | 27 | | 8 | ModseIL |
| InIL | 28 | | 9 | ResetL |
| VccTx | 29 | | 10 | VccRx |
| VccI | 30 | | 11 | SCL |
| InILMode | 31 | | 12 | SDA |
| GND | 32 | | 13 | GND |
| TX3+ | 33 | ↔ | 14 | RX3+ |
| TX3- | 34 | ↔ | 15 | RX3- |
| GND | 35 | | 16 | GND |
| TX1+ | 36 | ↔ | 17 | RX1+ |
| TX1- | 37 | ↔ | 18 | RX1- |
| GND | 38 | | 19 | GND |

| P3 QSFP-DD | | | P2 QSFP28 | |
|------------|-----------|---|-----------|----------|
| GND | 39 | | 20 | GND |
| TX6- | 40 | ↔ | 21 | RX2- |
| TX6+ | 41 | ↔ | 22 | RX2+ |
| GND | 42 | | 23 | GND |
| TX8- | 43 | ↔ | 24 | RX4- |
| TX8+ | 44 | ↔ | 25 | RX4+ |
| GND | 45 | | 26 | GND |
| Reserved | 46 | | 27 | ModPrsL |
| VS1 | 47 | | 28 | InIL |
| VccRx1 | 48 | | 29 | VccTx |
| VS2 | 49 | | 30 | VccI |
| VS3 | 50 | | 31 | Reserved |
| GND | 51 | | 32 | GND |
| RX7+ | 52 | ↔ | 33 | TX3+ |
| RX7- | 53 | ↔ | 34 | TX3- |
| GND | 54 | | 35 | GND |
| RX5+ | 55 | ↔ | 36 | TX1+ |
| RX5- | 56 | ↔ | 37 | TX1- |
| GND | 57 | | 38 | GND |
| | | | | |
| GND | 58 | | 1 | GND |
| RX6- | 59 | ↔ | 2 | TX2- |
| RX6+ | 60 | ↔ | 3 | TX2+ |
| GND | 61 | | 4 | GND |
| RX8- | 62 | ↔ | 5 | TX4- |
| RX8+ | 63 | ↔ | 6 | TX4+ |
| GND | 64 | | 7 | GND |
| NC | 65 | | 8 | ModseIL |
| Reserved | 66 | | 9 | ResetL |
| VccTx1 | 67 | | 10 | VccRx |
| Vcc2 | 68 | | 11 | SCL |
| Reserved | 69 | | 12 | SDA |
| GND | 70 | | 13 | GND |
| TX7+ | 71 | ↔ | 14 | RX3+ |
| TX7- | 72 | ↔ | 15 | RX3- |
| GND | 73 | | 16 | GND |
| TX5+ | 74 | ↔ | 17 | RX1+ |
| TX5- | 75 | ↔ | 18 | RX1- |
| GND | 76 | | 19 | GND |

QSFP-DD Pin Descriptions

| PIN | Logic | Symbol | Description | Notes |
|-----|-------------|----------|---|-------|
| 1 | | GND | Ground | 1 |
| 2 | CML-I | Tx2n | Transmitter Inverted Data Input | |
| 3 | CML-I | Tx2p | Transmitter Non-Inverted Data Input | |
| 4 | | GND | Ground | 1 |
| 5 | CML-I | Tx4n | Transmitter Inverted Data Input | |
| 6 | CML-I | Tx4p | Transmitter Non-Inverted Data Input | |
| 7 | | GND | Ground | 1 |
| 8 | LVTTTL-I | ModSelL | Module Select | |
| 9 | LVTTTL-I | ResetL | Module Reset | |
| 10 | | VccRx | +3.3V Power Supply Receiver | 2 |
| 11 | LVC MOS-I/O | SCL | 2-wire serial interface clock | |
| 12 | LVC MOS-I/O | SDA | 2-wire serial interface data | |
| 13 | | GND | Ground | 1 |
| 14 | CML-O | Rx3p | Receiver Non-Inverted Data Output | |
| 15 | CML-O | Rx3n | Receiver Inverted Data Output | |
| 16 | | GND | Ground | 1 |
| 17 | CML-O | Rx1p | Receiver Non-Inverted Data Output | |
| 18 | CML-O | Rx1n | Receiver Inverted Data Output | |
| 19 | | GND | Ground | 1 |
| 20 | | GND | Ground | 1 |
| 21 | CML-O | Rx2n | Receiver Inverted Data Output | |
| 22 | CML-O | Rx2p | Receiver Non-Inverted Data Output | |
| 23 | | GND | Ground | 1 |
| 24 | CML-O | Rx4n | Receiver Inverted Data Output | |
| 25 | CML-O | Rx4p | Receiver Non-Inverted Data Output | |
| 26 | | GND | Ground | 1 |
| 27 | LVTTTL-O | ModPrsL | Module Present | |
| 28 | LVTTTL-O | IntL | Interrupt | |
| 29 | | VccTx | +3.3V Power Supply Transmitter | 2 |
| 30 | | Vccl | +3.3V Power Supply | 2 |
| 31 | LVTTTL-I | InitMode | Initialization mode; In legacy QSFP applications, the InitMode pad is called LPMODE | |
| 32 | | GND | Ground | 1 |
| 33 | CML-I | Tx3p | Transmitter Non-Inverted Data Input | |
| 34 | CML-I | Tx3n | Transmitter Inverted Data Input | |
| 35 | | GND | Ground | 1 |
| 36 | CML-I | Tx1p | Transmitter Non-Inverted Data Input | |
| 37 | CML-I | Tx1n | Transmitter Inverted Data Input | |
| 38 | | GND | Ground | 1 |

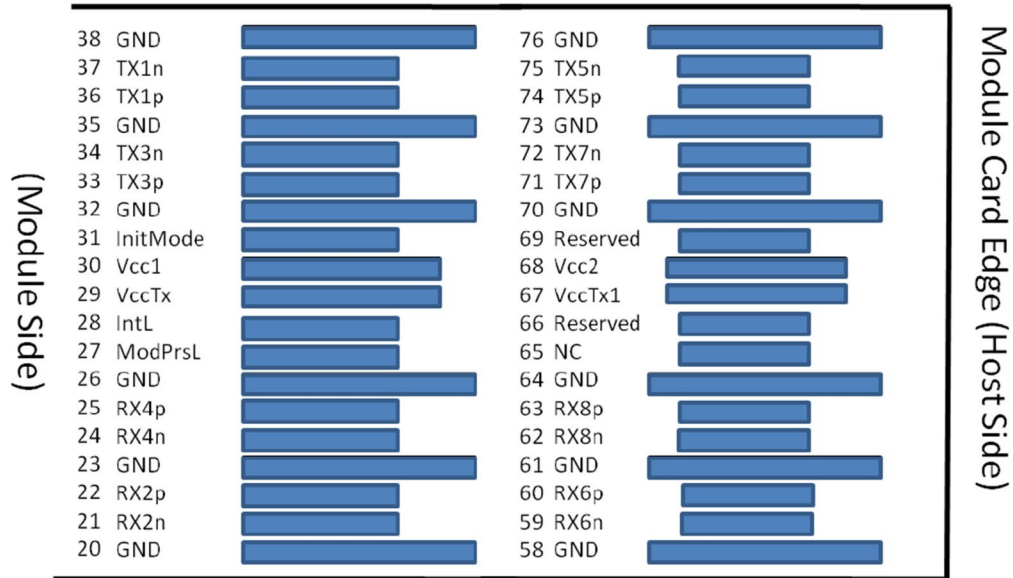
| PIN | | Symbol | Description | Notes |
|-----|-------|----------|-------------------------------------|-------|
| 39 | | GND | Ground | 1 |
| 40 | CML-I | Tx6n | Transmitter Inverted Data Input | |
| 41 | CML-I | Tx6p | Transmitter Non-Inverted Data Input | |
| 42 | | GND | Ground | 1 |
| 43 | CML-I | Tx8n | Transmitter Inverted Data Input | |
| 44 | CML-I | Tx8p | Transmitter Non-Inverted Data Input | |
| 45 | | GND | Ground | 1 |
| 46 | | Reserved | For future use | 3 |
| 47 | | VSI | Module Vendor Specific 1 | 3 |
| 48 | | VccRx1 | 3.3V Power Supply | 2 |
| 49 | | VS2 | Module Vendor Specific 2 | 3 |
| 50 | | VS3 | Module Vendor Specific 3 | 3 |
| 51 | | GND | Ground | 1 |
| 52 | CML-O | Rx7p | Receiver Non-Inverted Data Output | |
| 53 | CML-O | Rx7n | Receiver Inverted Data Output | |
| 54 | | GND | Ground | 1 |
| 55 | CML-O | Rx5p | Receiver Non-Inverted Data Output | |
| 56 | CML-O | Rx5n | Receiver Inverted Data Output | |
| 57 | | GND | Ground | 1 |
| 58 | | GND | Ground | 1 |
| 59 | CML-O | Rx6n | Receiver Inverted Data Output | |
| 60 | CML-O | Rx6p | Receiver Non-Inverted Data Output | |
| 61 | | GND | Ground | 1 |
| 62 | CML-O | Rx8n | Receiver Inverted Data Output | |
| 63 | CML-O | Rx8p | Receiver Non-Inverted Data Output | |
| 64 | | GND | Ground | 1 |
| 65 | | NC | No Connect | 3 |
| 66 | | Reserved | For future use | 3 |
| 67 | | VccTx1 | 3.3V Power Supply | 2 |
| 68 | | Vcc2 | 3.3V Power Supply | 2 |
| 69 | | Reserved | For future use | 3 |
| 70 | | GND | Ground | 1 |
| 71 | CML-I | Tx7p | Transmitter Non-Inverted Data Input | |
| 72 | CML-I | Tx7n | Transmitter Inverted Data Input | |
| 73 | | GND | Ground | 1 |
| 74 | CML-I | Tx5p | Transmitter Non-Inverted Data Input | |
| 75 | CML-I | Tx5n | Transmitter Inverted Data Input | |
| 76 | | GND | Ground | 1 |

Notes:

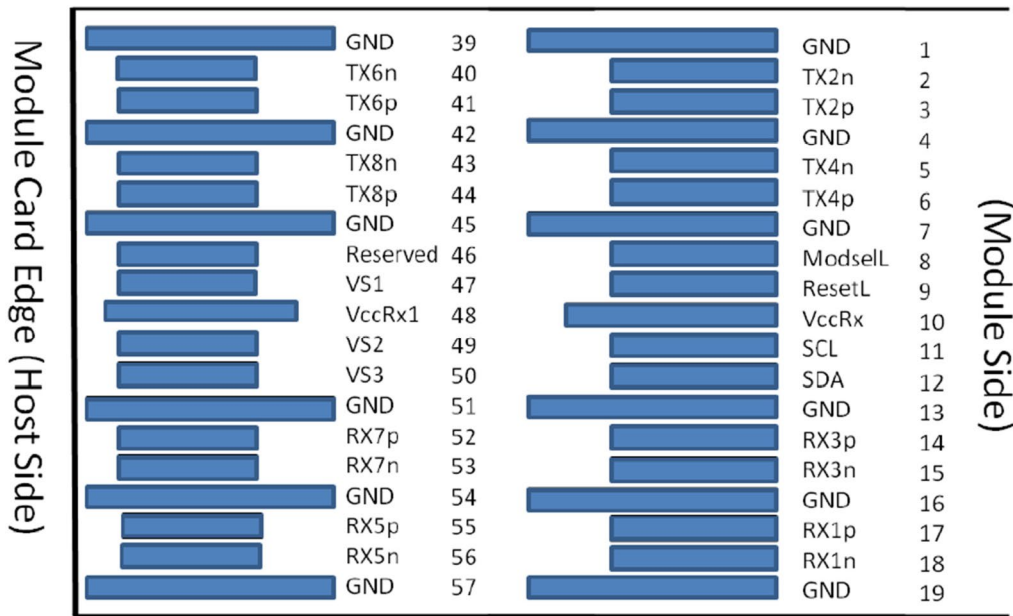
1. QSFP-DD uses common ground (GND) for all signals and supply (power). All are common within the QSFP-DD module and all module voltages are referenced to this potential unless otherwise noted. Connect these directly to the host board signal-common ground plane.
2. VccRx, VccRx1, Vcc1, Vcc2, VccTx and VccTx1 shall be applied concurrently. Requirements defined for the host side of the Host Card Edge Connector are listed in Table 6. VccRx, VccRx1, Vcc1, Vcc2, VccTx and VccTx1 may be internally connected within the module in any combination. The connector Vcc pins are each rated for a maximum current of 1000 mA.
3. All Vendor Specific, Reserved and No Connect pins may be terminated with 50 ohms to ground on the host. Pad 65 (No Connect) shall be left unconnected within the module. Vendor specific and Reserved pads shall have an impedance to GND that is greater than 10 kOhms and less than 100 pF.
4. Plug Sequence specifies the mating sequence of the host connector and module. The sequence is 1A, 2A, 3A, 1B, 2B, 3B. (see Figure 2 for pad locations) Contact sequence A will make, then break contact with additional QSFP-DD pads. Sequence 1A, 1B will then occur simultaneously, followed by 2A, 2B, followed by 3A,3B.

QSFP-DD Electrical Pin-out Details

Top side viewed from top



Bottom side viewed from bottom



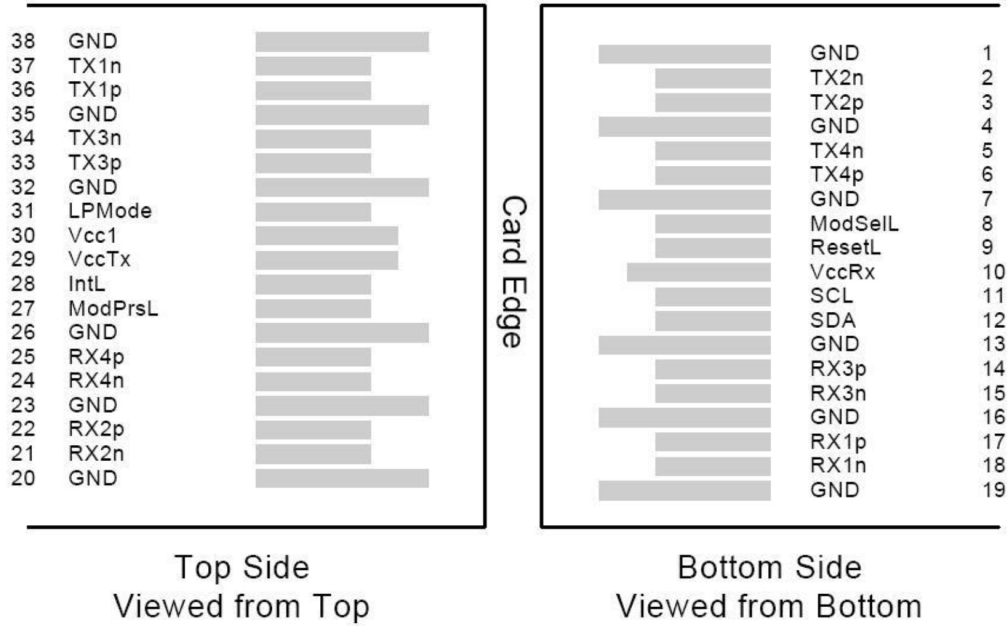
QSFP28 Pin Definitions

| Pin | Logic | Symbol | Name/Descriptions | Ref. |
|-----|-------------|---------|--|------|
| 1 | | GND | Module Ground | 1 |
| 2 | CML-I | Tx2- | Transmitter inverted data input | |
| 3 | CML-I | Tx2+ | Transmitter non-inverted data input | |
| 4 | | GND | Module Ground | 1 |
| 5 | CML-I | Tx4- | Transmitter inverted data input | |
| 6 | CML-I | Tx4+ | Transmitter non-inverted data input | |
| 7 | | GND | Module Ground | 1 |
| 8 | LVTTTL-I | MODSEIL | Module Select | 2 |
| 9 | LVTTTL-I | ResetL | Module Reset | 2 |
| 10 | | VCCRx | +3.3v Receiver Power Supply | |
| 11 | LVC MOS-I | SCL | 2-wire Serial interface clock | 2 |
| 12 | LVC MOS-I/O | SDA | 2-wire Serial interface data | 2 |
| 13 | | GND | Module Ground | 1 |
| 14 | CML-O | RX3+ | Receiver non-inverted data output | |
| 15 | CML-O | RX3- | Receiver inverted data output | |
| 16 | | GND | Module Ground | 1 |
| 17 | CML-O | RX1+ | Receiver non-inverted data output | |
| 18 | CML-O | RX1- | Receiver inverted data output | |
| 19 | | GND | Module Ground | 1 |
| 20 | | GND | Module Ground | 1 |
| 21 | CML-O | RX2- | Receiver inverted data output | |
| 22 | CML-O | RX2+ | Receiver non-inverted data output | |
| 23 | | GND | Module Ground | 1 |
| 24 | CML-O | RX4- | Receiver inverted data output | |
| 25 | CML-O | RX4+ | Receiver non-inverted data output | |
| 26 | | GND | Module Ground | 1 |
| 27 | LVTTTL-O | ModPrsL | Module Present, internal pulled down to GND | |
| 28 | LVTTTL-O | IntL | Interrupt output should be pulled up on host board | 2 |
| 29 | | VCCTx | +3.3v Transmitter Power Supply | |
| 30 | | VCC1 | +3.3v Power Supply | |
| 31 | LVTTTL-I | LPMODE | Low Power Mode | 2 |
| 32 | | GND | Module Ground | 1 |
| 33 | CML-I | Tx3+ | Transmitter non-inverted data input | |
| 34 | CML-I | Tx3- | Transmitter inverted data input | |
| 35 | | GND | Module Ground | 1 |
| 36 | CML-I | Tx1+ | Transmitter non-inverted data input | |
| 37 | CML-I | Tx1- | Transmitter inverted data input | |
| 38 | | GND | Module Ground | 1 |

Notes:

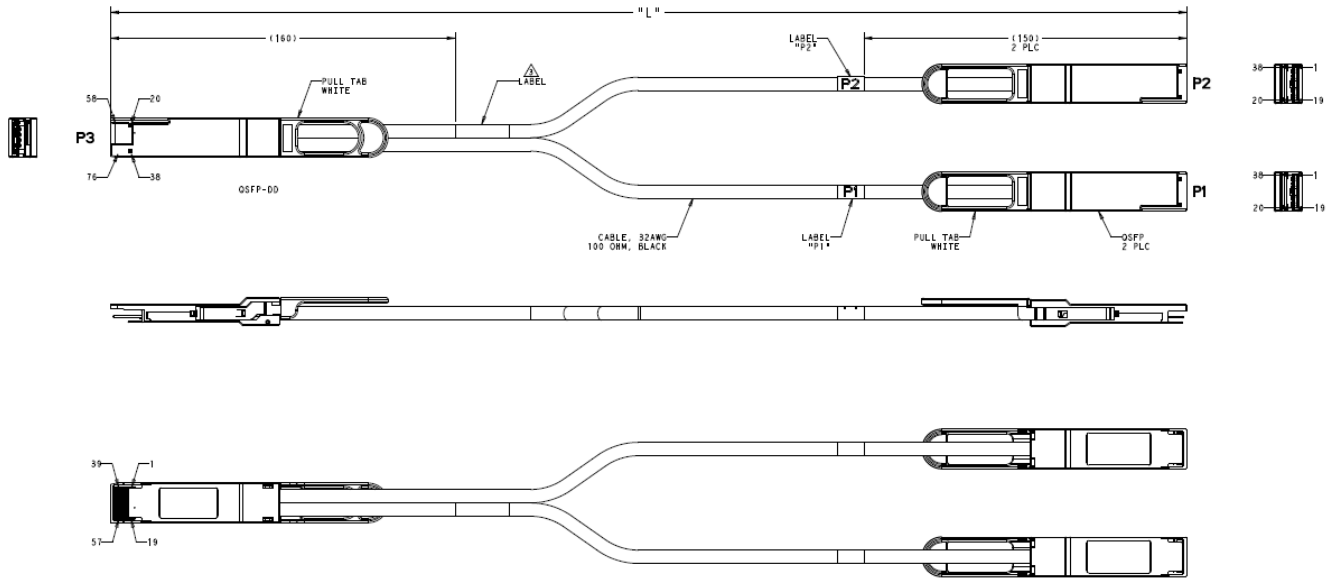
1. Module circuit ground is isolated from module chassis ground with in the module.
2. Open collector; should be pulled up with 4.7k-10k ohms on host board to a voltage between 3.15V and 3.6V.

QSFP28 Electrical Pin-out Details

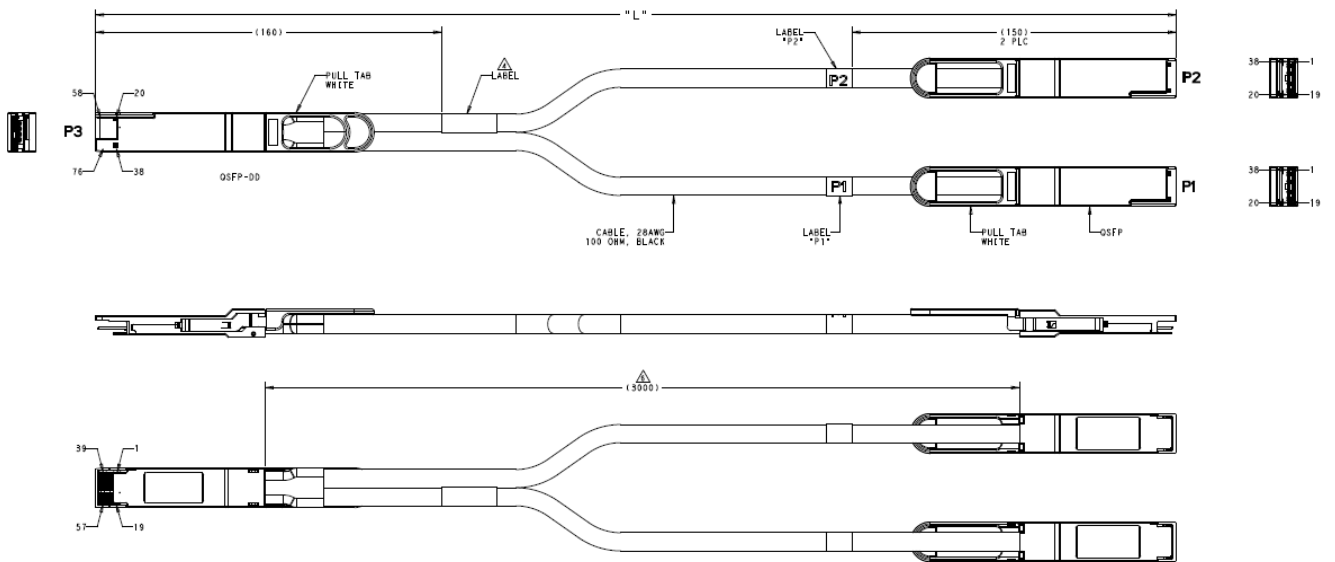


Mechanical Specifications

QSFP-DD to 2xQSFP 1m



QSFP-DD to 2xQSFP 2m, 2.5m



About AddOn Networks

In 1999, AddOn Networks entered the market with a single product. Our founders fulfilled a severe shortage for compatible, cost-effective optical transceivers that compete at the same performance levels as leading OEM manufacturers. Adhering to the idea of redefining service and product quality not previously had in the fiber optic networking industry, AddOn invested resources in solution design, production, fulfillment, and global support.

Combining one of the most extensive and stringent testing processes in the industry, an exceptional free tech support center, and a consistent roll-out of innovative technologies, AddOn has continually set industry standards of quality and reliability throughout its history.

Reliability is the cornerstone of any optical fiber network and is engrained in AddOn's DNA. It has played a key role in nurturing the long-term relationships developed over the years with customers. AddOn remains committed to exceeding industry standards with certifications from ranging from NEBS Level 3 to ISO 9001:2005 with every new development while maintaining the signature reliability of its products.

U.S. Headquarters

Email: sales@addonnetworks.com

Telephone: +1 877.292.1701

Fax: 949.266.9273

Europe Headquarters

Email: salesupportemea@addonnetworks.com

Telephone: +44 1285 842070