

WiFi 2.4/5.0GHz Adhesive Easyfit Antenna

EF-24-58



EF-24-58

- Adhesive Mount Antenna
- Fits to Plastic Devices or Glass Windshields
- Dual Band WiFi 2.4/5.0GHz
- SMA or FAKRA I Jack Terminations

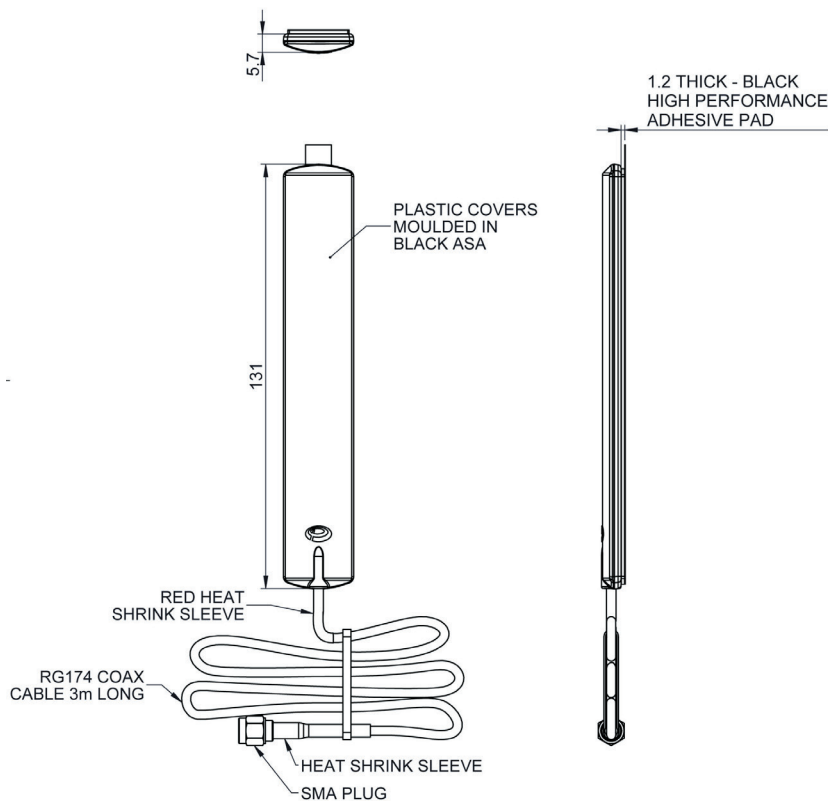
EF-24-58 is a range of highly efficient and easy to install antennas for providing WiFi coverage. These compact paddle-style antennas are easily positioned on a device housing or vehicle windscreen using the supplied automotive industry grade adhesive pad.

The antenna is ground plane independent making it ideal for applications distributing or receiving WiFi signals. Covering 2.4/5.0GHz the EF-24-58 is designed to support the full range of WiFi frequencies, and is available with SMA or FAKRA I Jack terminations.

The antenna is constructed from weather-resistant plastic and is suitable for use in semi-exposed scenarios.

Technical Drawing

EF-24-58-3SP Shown



WiFi 2.4/5.0GHz Adhesive Easyfit Antenna

EF-24-58

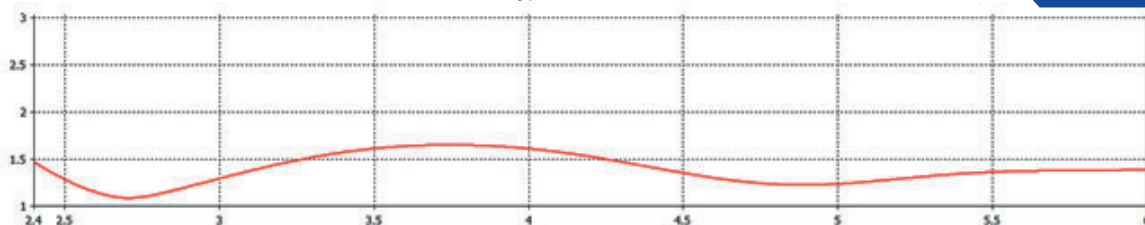
Product Data

Part No.		EF-24-58-3SP	EF-24-58-3RPSP	EF-24-58-05RPSP	EF-24-58-3FIJ
Electrical Data					
Frequency Range (MHz)		2396-2485/4.9-6GHz			
Operational Bands		2.4/5.0GHz WiFi			
Typical VSWR*		<2:1			
Peak Gain: Isotropic**	2.4GHz	2dBi			
	5.0GHz	4dBi			
Polarisation		Vertical			
Pattern		Omni-directional			
Impedance		50Ω			
Max Input Power (W)		10			
Mechanical Data					
Dimensions (mm)	Length	131 (5.16")			
	Width	21.7 (0.85")			
	Thickness	7 (0.27")			
Material		ASA			
Operating Temp (°C)		-30° / +70°C (-22°/ 158°F)			
Colour		Black			
Approx. Weight (g)		58			
Mounting Data					
Type		Acrylic adhesive pad			
Cable Data					
Type		FR RG174 (UN ECE 118 compliant)			
Diameter (mm)		2.6 (0.10")			
Length (m)		3 (10')	3 (10')	0.5 (1.5')	3 (10')
Termination		SMA Plug	Rev Pol SMA Plug	Rev Pol SMA Plug	FAKRA I JACK

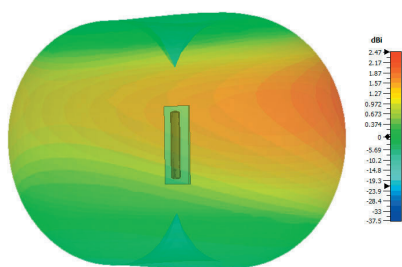
*Typical VSWR as measured on a sheet of glass without cable ** Peak gain modelled in CST Microwave Studio excluding cable loss.

Product Data

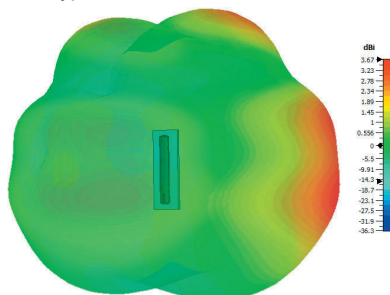
Typical VSWR*



Typical 3D Pattern 2.4GHz MHz)



Typical 3D Pattern 5.0GHz



*Typical VSWR as measured on a sheet of glass without cable.