

SFP-25G-LRDEI300M-AO

Dell® SFP-25G-LR-DE-I Compatible TAA 25GBase-LRL SFP28 Transceiver Capable (SMF, 1310nm, 300m, LC, DOM, -40 to 85C)

Features

- SFF-8402 and SFF-8472 Compliance
- Duplex LC Connector
- Industrial Temperature -40 to 85 Celsius
- Single-mode Fiber
- Hot Pluggable
- Excellent ESD Protection
- Metal with Lower EMI
- RoHS Compliant and Lead Free



Applications

- 25GBase Ethernet
- Access and Enterprise

Product Description

This Dell® SFP-25G-LR-DE-I-300M compatible SFP28 transceiver provides 25GBase-LRL throughput up to 300m over single-mode fiber (SMF) using a wavelength of 1310nm via an LC connector. It is guaranteed to be 100% compatible with the equivalent Dell® transceiver. This easy to install, hot swappable transceiver has been programmed, uniquely serialized and data-traffic and application tested to ensure that it will initialize and perform identically. Digital optical monitoring (DOM) support is also present to allow access to real-time operating parameters. This transceiver is Trade Agreements Act (TAA) compliant. We stand behind the quality of our products and proudly offer a limited lifetime warranty.

AddOn's transceivers are RoHS compliant and lead-free.

TAA refers to the Trade Agreements Act (19 U.S.C. & 2501-2581), which is intended to foster fair and open international trade. TAA requires that the U.S. Government may acquire only "U.S. – made or designated country end products."



Absolute Maximum Ratings

| Parameter | Symbol | Min. | Typ. | Max. | Unit | Notes |
|---|--------|------|-------|--------------------|------|-------|
| Supply Voltage | Vcc | -0.5 | | 4.0 | V | |
| Storage Temperature | TS | -40 | | 85 | °C | |
| Operating Case Temperature | Tc | -40 | 25 | 85 | °C | |
| Relative Humidity | RH | 5 | | 95 | % | |
| Data Rate | BR | | 25.78 | | Gb/s | |
| Bit Error Rate | BER | | | 5x10 ⁻⁵ | | 1 |
| Supported Link Length on 9/125um SMF, 25.78GB/s | L | | 10 | | km | 2 |

Notes:

1. Tested with a PRBS 231-1 test pattern for 25.78Gb/s operation.
2. Distances are based on FC-PI-6 Rev 3.1 and IEEE 802.3 standards.

Electrical Characteristics

| Parameter | Symbol | Min | Typ | Max | Unit | Notes |
|-----------------------------------|----------------------|-------|-------|-------|---------|-------|
| Supply Voltage | Vcc | 3.135 | 3.3 | 3.465 | V | |
| Data Rate | | | 25.78 | | GB/s | |
| Module Supply Current | Icc | | | 450 | mA | |
| Power Dissipation | PD | | | 1500 | mW | |
| Transmitter | | | | | | |
| Input Differential Impedance | ZIN | | 100 | | Ω | |
| Differential Data Input Swing | VIN, P-P | 180 | | 700 | mVp-p | |
| TX_FAULT | Transmitter Fault | VOH | 2.0 | | VCCHOST | V |
| | Normal Operation | VOL | 0 | | 0.8 | V |
| TX_DISABLE | Transmitter Disable | VIH | 2.0 | | VCCHOST | V |
| | Transmitter Enable | VIL | 0 | | 0.8 | V |
| Receiver | | | | | | |
| Output Differential Impedance | ZO | | 100 | | Ω | |
| Differential Data Output Swing | VOUT, P-P | 300 | | 850 | mVp-p | 1 |
| Data Output Rinse Time, Fall Time | tr, tf | 15 | | | Ps | 2 |
| Rx_LOS | Loss of Signal (LOS) | VOH | 2.0 | | VCCHOST | V |
| | Normal Operation | VOL | 0 | | 0.8 | V |

Notes:

1. Internally AC coupled, but requires an external 100Ω differential load termination.
2. 20-80%
3. LOS is an open collector output. Should be pulled up with 4.7Ω on the host board.

Optical Characteristics

| Parameter | Symbol | Min | Typ | Max | Unit | Notes |
|------------------------------------|------------------|------|------|-------|------|-------|
| Transmitter | | | | | | |
| Launch Optical Power | Po | -5 | | 2 | dBm | 1 |
| Extinction Ratio | ER | 4 | | | dB | |
| Center Wavelength Range | λ_c | 1295 | 1310 | 1325 | nm | |
| Optical Modulation Amplitude | OMA | 631 | | | uW | |
| Transmitter Dispersion Penalty | TDP | | | 2.7 | dB | |
| Spectral Width | $\Delta\lambda$ | | | 1 | nm | 2 |
| Optical Rise/Fall Time @25.78 Gb/s | tr/tf | | | 15 | ps | 3 |
| Optical Return Loss Tolerance | ORLT | | | 12 | dB | |
| Pout @TX-Disable Asserted | POFF | | | -30 | dBm | 1 |
| Receiver | | | | | | |
| Center Wavelength | λ_c | 1260 | 1310 | 1370 | nm | |
| Receiver OMA Sensitivity | RxSENS | | | -11.4 | dBm | 4 |
| Receiver Overload (P avg) | POL | 2 | | | dBm | |
| Optical Return Loss | ORL | 26 | | | dB | |
| LOS De-Assert | LOS _D | | | -13 | dBm | |
| LOS Assert | LOSA | -30 | | | dBm | |
| LOS Hysteresis | | 0.5 | | | dB | |

Notes:

1. Class 1 Laser Safety per FDA/CDRH and EN (IEC) 60825 regulations.
2. 20dB spectral width.
3. Unfiltered, 20-80%.
4. Measured with PRBS 2³¹-1 at 5×10⁻⁵ BER

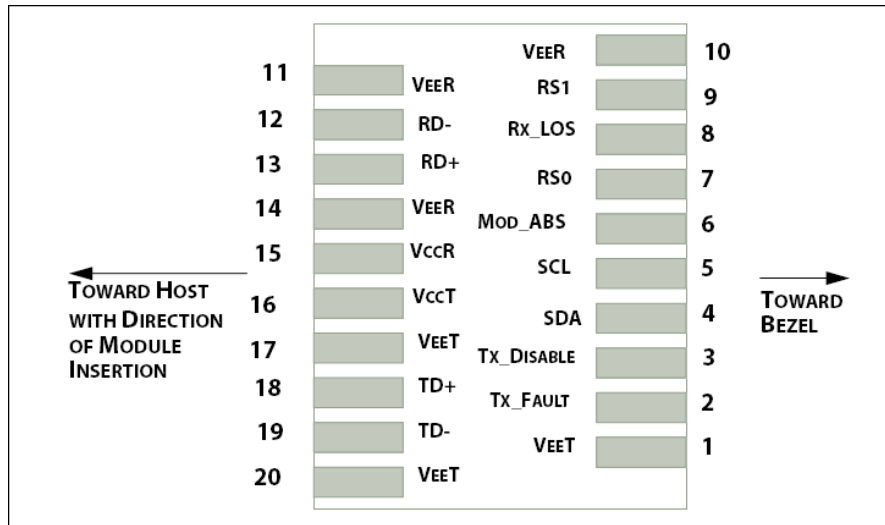
Pin Descriptions

| Pin | Symbol | Name/Descriptions | Notes |
|-----|------------|--|-------|
| 1 | VeeT | Transmitter Ground | 1 |
| 2 | TX_Fault | Transmitter Fault (LVTTTL-O) - High indicates a fault condition | 2 |
| 3 | TX_Disable | Transmitter Disable (LVTTTL-I) – High or open disables the transmitter | 3 |
| 4 | SDA | Two wire serial interface Data Line (LVCMOS-I/O) (MOD-DEF2) | 4 |
| 5 | SCL | Two wire serial interface Clock Line (LVCMOS-I/O) (MOD-DEF1) | 4 |
| 6 | MOD_ABS | Module Absent (Output), connected to VeeT or VeeR in the module | 5 |
| 7 | RS0 | | 6 |
| 8 | RX_LOS | Receiver Loss of Signal (LVTTTL-O) | 2 |
| 9 | RS1 | | 6 |
| 10 | VeeR | Receiver Ground | 1 |
| 11 | VeeR | Receiver Ground | 1 |
| 12 | RD- | Inverse Received Data out (CML-O) | |
| 13 | RD+ | Received Data out (CML-O) | |
| 14 | VeeR | Receiver Ground | |
| 15 | VccR | Receiver Power - +3.3V | |
| 16 | VccT | Transmitter Power - +3.3 V | |
| 17 | VeeT | Transmitter Ground | 1 |
| 18 | TD+ | Transmitter Data In (CML-I) | |
| 19 | TD- | Inverse Transmitter Data In (CML-I) | |
| 20 | VeeT | Transmitter Ground | 1 |

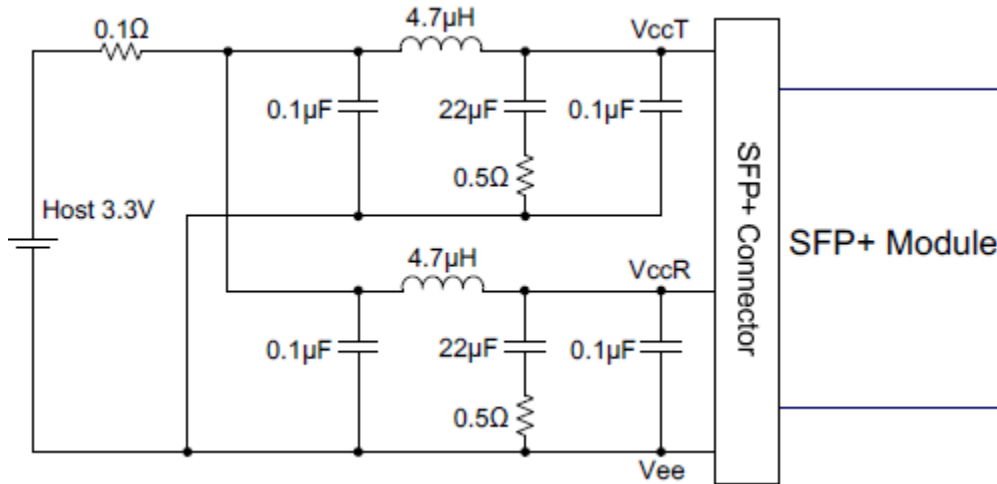
Notes:

1. The module signal grounds are isolated from the module case.
2. This is an open collector/drain output that on the host board requires a 4.7K Ω to 10K Ω pull-up resistor to VccHost.
3. This input is internally biased high with a 4.7K Ω to 10K Ω pull-up resistor to VccT.
4. Two-Wire Serial interface clock and data lines require an external pull-up resistor dependent on the capacitance load.
5. This is a ground return that on the host board requires a 4.7K Ω to 10K Ω pull-up resistor to VccHost.
6. Rate select can also be set through the 2-wire bus in accordance with SFF-8472 v. 12.1, Rx Rate Select is set at Bit 3, Byte 110, Address A2h. Tx Rate Select is set at Bit 3, Byte 118, Address A2h.
Note: writing a “1” selects maximum bandwidth operation. Rate select is the logic OR of the input state of Rate Select Pin and 2-wire bus.

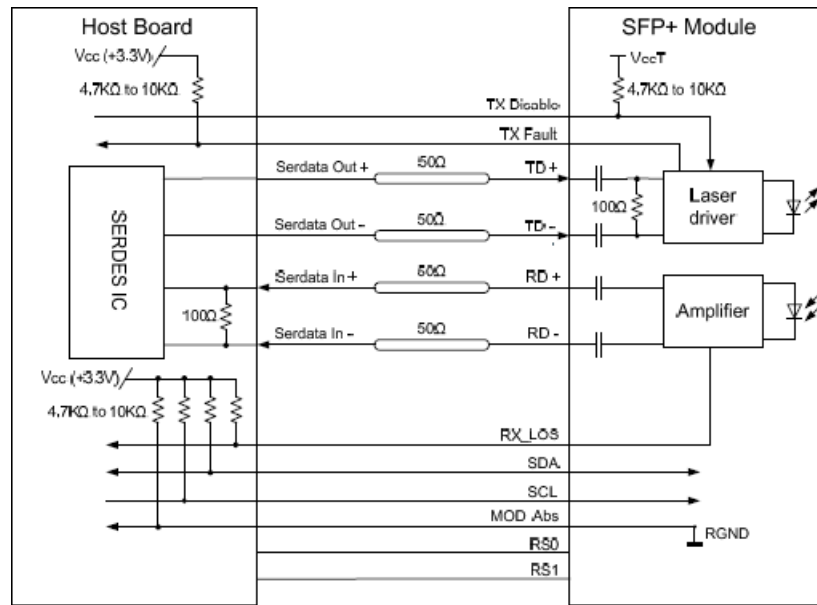
Electrical Pin-Out Details



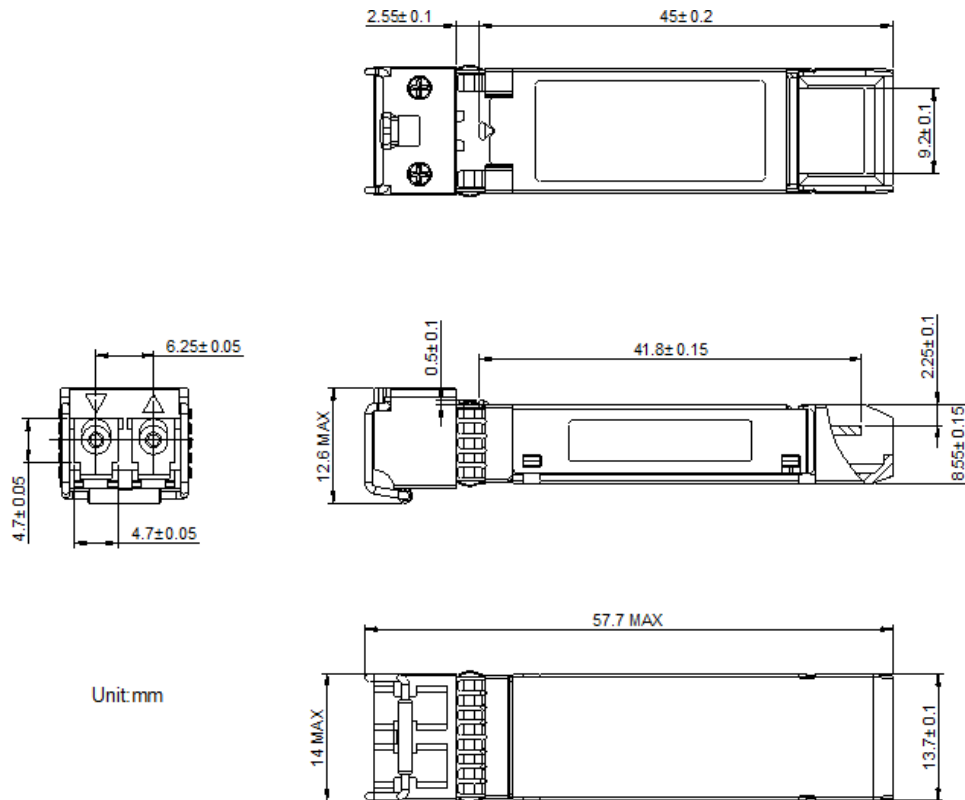
Recommended Host Board Power Supply Filter Network



Recommended Application Interface Block Diagram



Mechanical Specifications



About AddOn Networks

In 1999, AddOn Networks entered the market with a single product. Our founders fulfilled a severe shortage for compatible, cost-effective optical transceivers that compete at the same performance levels as leading OEM manufacturers. Adhering to the idea of redefining service and product quality not previously had in the fiber optic networking industry, AddOn invested resources in solution design, production, fulfillment, and global support.

Combining one of the most extensive and stringent testing processes in the industry, an exceptional free tech support center, and a consistent roll-out of innovative technologies, AddOn has continually set industry standards of quality and reliability throughout its history.

Reliability is the cornerstone of any optical fiber network and is engrained in AddOn's DNA. It has played a key role in nurturing the long-term relationships developed over the years with customers. AddOn remains committed to exceeding industry standards with certifications from ranging from NEBS Level 3 to ISO 9001:2005 with every new development while maintaining the signature reliability of its products.



U.S. Headquarters

Email: sales@addonnetworks.com

Telephone: +1 877.292.1701

Fax: 949.266.9273

Europe Headquarters

Email: salesupportemea@addonnetworks.com

Telephone: +44 1285 842070