



# ***Vess A3340s***

# ***Vess A3340d***

## ***Storage Appliance for Video Surveillance***

## ***Quick Start Guide***

*Version 2.0*

ABOUT THIS GUIDE..... 1

**INTRODUCTION**..... 1

SETUP TASK LIST..... 2

**TASK 1: UNPACK** ..... 2

    Vess A3340s/A3340D PACKING LIST..... 2

    FRONT PANEL OVERVIEW ..... 3

    REAR PANEL OVERVIEW ..... 4

**TASK 2: MOUNTING VESS A3340s/A3340D IN A RACK** ..... 6

**ATTACH EAR BRACKETS TO FRONT** ..... 7

**INSTALL THE SLIDING RAILS AND PLACE DEVICE IN RACK**..... 8

**TASK 3: INSTALLING DISK DRIVES**..... 11

**REMOVE SECURITY COVER**..... 11

**INSTALL HARD DISK DRIVES**..... 13

    NUMBER OF DRIVES REQUIRED..... 14

**DRIVE SLOT NUMBERING** ..... 14

**TASK 4: MANAGEMENT CONNECTION**..... 15

**MANAGEMENT PATH - ON SITE KEYBOARD AND MONITOR** ..... 15

    MANAGEMENT PATH - NETWORK CONNECTION ..... 16

**TASK 5: CONNECTING THE POWER** ..... 17

**POWER ON VESS A3340s/A3340D SYSTEM** ..... 17

    FRONT PANEL LEDs ..... 18

**TASK 6: ACCESS OPERATING SYSTEM GUI** ..... 19

    LOG IN TO WINDOWS 10..... 20

**TASK 7: CREATING LOGICAL DRIVES**..... 21

    LOGGING INTO WEBPAM PROE ..... 21

**CHOOSING A LANGUAGE** ..... 22

**CREATING YOUR LOGICAL DRIVES**..... 23

**SYSTEM SHUTDOWN** .....29

**PRODUCT REGISTRATION** .....30

**REGISTER YOUR VESS A-SERIES**.....31

**OPEN A WEB SUPPORT CASE**.....33

**CONTACTING TECHNICAL SUPPORT** .....35

**TECHNICAL SUPPORT SERVICES** .....35

## ***ABOUT THIS GUIDE***

This Quick Start Guide provides an introduction to the hardware components of the Vess A3340s and Vess A3340d Storage Appliance for Video Surveillance, as well as instructions for how to install the device in an equipment rack, and how to connect the power, a keyboard and monitor used for the initial configuration setup. Then power on the system, login as administrator and create a RAID drive for storage video data. When you have completed the instruction in this guide, you need to read the Product Manual, and other user documentation available from Promise, for additional instructions on how to connect the system to the surveillance network, connect to additional network storage if needed, how to install video management software, how to administer, manage and maintain the system, as well as how best to scale the system to suit the requirements of your surveillance and data storage network.

This guide also includes information about:

- Product Registration page 30
- Contacting Technical Support page 35

## **INTRODUCTION**

The Vess A3340s and Vess A3340d Storage Appliance for Video Surveillance, as the name implies, combines an NVR server for video data compression, recording and playback, with built-in RAID storage for saving the video data. All Vess A Series Storage Appliance for Video Surveillance systems are scalable with additional Vess A Series systems for video data and Vess R2000 Series storage subsystem and Vess J2000 JBOD storage.

The Vess A3340d features swappable redundant power supplies. The Vess A3340s uses a single power supply, but is otherwise identical to the Vess A3340d.



## SETUP TASK LIST

To setup the Vess A3340s/A3340d system, perform these hardware and configuration tasks in order:

- Task 1: Unpack device
- Task 2: Mount Vess A3340s/A3340d in a standard rack
- Task 3: Remove front bezel and install hard disk drives
- Task 4: Management connections
- Task 5: Connect the power and power on system
- Task 6: Login to Windows 10
- Task 7: Login to WebPAM PROe
- Task 8: Create Logical Drives



### Note

---

The Product Manual and this Quick Start Guide, in PDF format, are found on the desktop after booting up and logging in

---

## TASK 1: UNPACK

### VESS A3340S/A3340D PACKING LIST

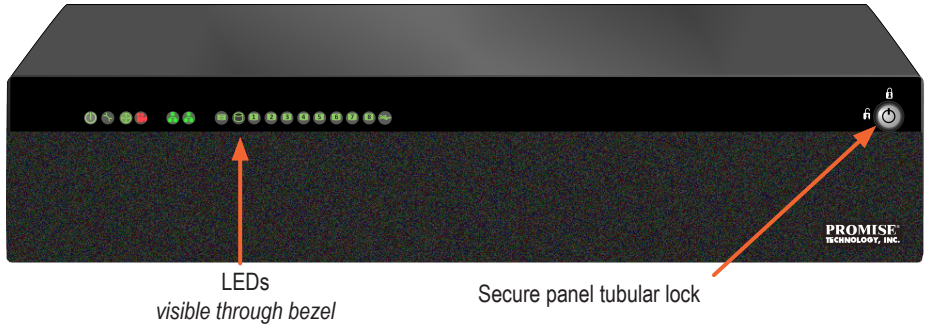
The Vess A3340s/A3340d box contains the following items:

- Vess A3340s or Vess A3340d
- One 1.5m (4.9 ft) Power cord (Vess A3340s)
- Two 1.5m (4.9 ft) Power cords (Vess A3340d)
- Screws for disk drives (40 pieces for 8 bays)
- Sliding rail assembly for rack mounting\*

\* The sliding rail assembly might be an optional feature in your region. Please contact your sales representative to learn whether this is included or an option for your Vess A3340s/A3340d.

## FRONT PANEL OVERVIEW

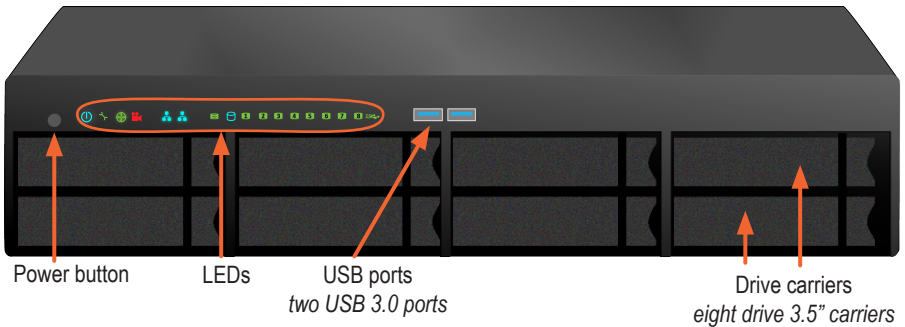
### *Vess A3340s/A3340d front view with bezel security cover*



The Vess A3340s/A3340d is shipped with a lockable front secure cover which must be removed in order to access the hard disk drive carriers. Use the tubular key to lock or unlock this cover.

The left panel contains the power button, various LEDs, USB ports and the tubular lock. See “Power On Vess A3340s/A3340d ” on page 2 and “Front Panel LEDs” on page 2 in this guide for more information.

### *Front with bezel removed*



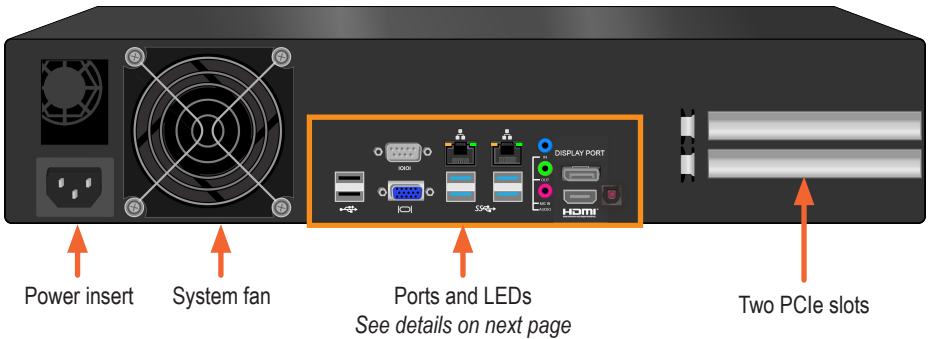
### Note

See descriptions for LED indicators on “Front Panel LEDs” on page 18.

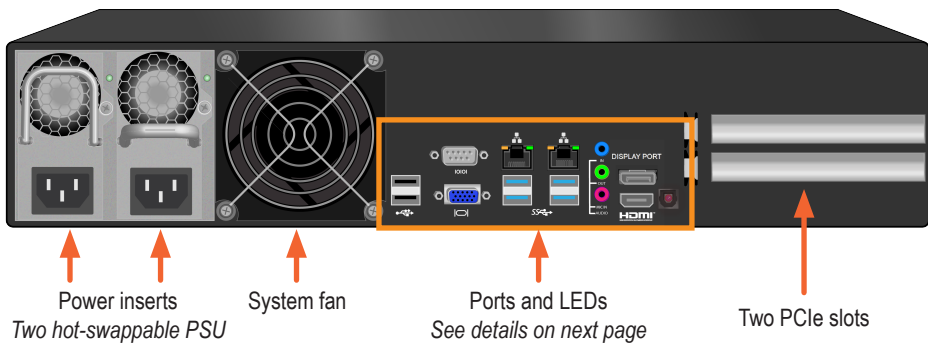
## REAR PANEL OVERVIEW

The rear panel of the Vess A3340d and Vess A3340s provide the network ports for system administration, ports for connection to the IP camera network, and the greater surveillance network and data storage network. This is also where the different video and audio ports are located, USB 2.0 and USB 3.0 ports, and the power insert for the power connection.

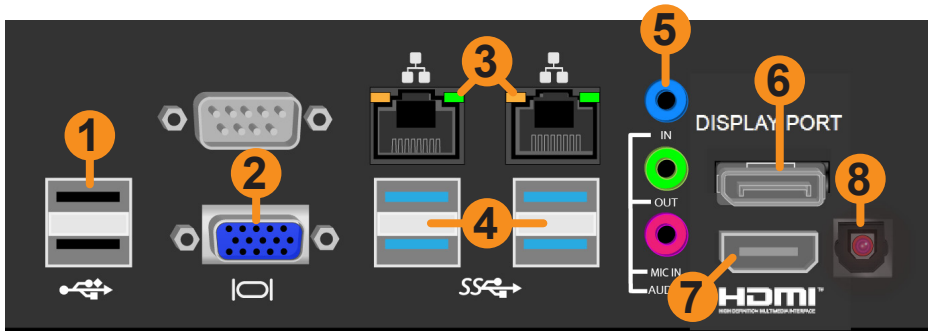
### Vess A3340s rear panel view



### Vess A3340d rear panel view



**Vess A3340s/A3340d ports on rear panel**



No.	Type
1	USB 2.0 ports
2	VGA port
3	Gigabit Ethernet ports
4	USB 3.0 ports
5	Audio In/Out
6	Display Port
7	HDMI port
8	S/PDIF out

## ***TASK 2: MOUNTING VESS A3340s/A3340D IN A RACK***

The instructions here apply to the all Vess A3340s/A3340d Series 2U form factor models.



### **Cautions**

---

- \* Do not lift or move the Vess A3340s/A3340d unit by the handles on the ear brackets in front. Hold the system itself.
  - \* Do not install the Vess A3340s/A3340d unit into a rack without rails to support the system.
  - \* Only a qualified technician who is familiar with the installation procedure should mount and install the Vess A3340s/A3340d unit.
  - \* Mount the rails to the rack using the appropriate screws and flange nuts, fully tightened, at each end of the rail.
  - \* Do not load the rails unless they are installed with screws as instructed.
  - \* The rails available for the Vess A3340s/A3340d unit are designed to safely support that Vess A3340s/A3340d unit when properly installed. Additional loading on the rails is at the customer's risk.
  - \* The mounting rails will support your Vess A3340s/A3340d unit only if installed as instructed.
  - \* Do not install hard disk drives in the system until after placing the system in the rack.
- 

The Vess A3340s/A3340d installs in a 19" equipment rack. Please examine the illustrations in this section to make sure you are using the correct type of rack.

In order to place the system in the rack, first attach the ear brackets to the front of the device. Then install the sliding rail system in the rack. Finally place the device on the sliding rails and secure it to the rack. Use only the screws and fasteners included with the shipment of the sliding rail system, or with the Vess A3340s/A3340d. This procedure is described and illustrated in the sections that follow below.

## ATTACH EAR BRACKETS TO FRONT

Ear brackets used for rack installation are available for additional purchase. These attach at the front sides of the device housing. Once the brackets are securely attached and the unit has been properly installed in the sliding rail system, these handles can be used to pull or push the device out or into the rack system, while the sliding rails support the weight of the device.

DO NOT lift or attempt to support the weight of the Vess A3340s/A3340d using the handles on the ear brackets.

### *Ear brackets (optional)*



Attach each ear bracket at the front, on each side of the device housing, and secure with the screws included with the shipment. The handle should protrude in the direction of the front of the device. The example illustration below shows the right side.

### *Secure ear bracket to device housing - right side*



### Cautions

---

**Do not lift or move the Vess A3340s/A3340d unit by the handles on the ear brackets in front.**

---

## INSTALL THE SLIDING RAILS AND PLACE DEVICE IN RACK

Follow these steps to install the sliding rails in the rack system, then place the Vess A3340s/A3340d onto the rails and secure the device to the rack.

### *Determine which holes to use on rack*

1. Determine what height to place the 2U enclosure in the rack, then place the right and left rack rails at the same height on in the right and left rack position. Choose the mounting holes accordingly for your rack system. Note that three holes are required on each front post, the uppermost of the three to be used for the flange nuts to anchor the enclosure to the rack posts. Adjust the length of the mounting rails as needed.

*Notice that each end of the sliding rails have a lever to operate the lock mechanism that grips the rack post.*

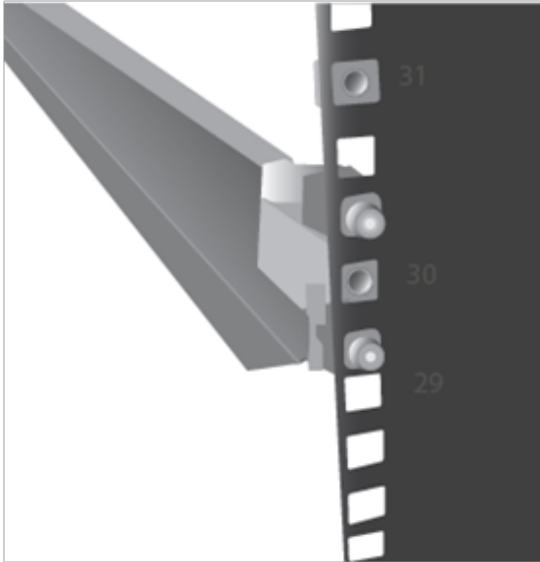


### **Lock release lever (back left)**



2. Secure the rails to the rack posts. Make sure the rack rails are properly oriented in the rack.

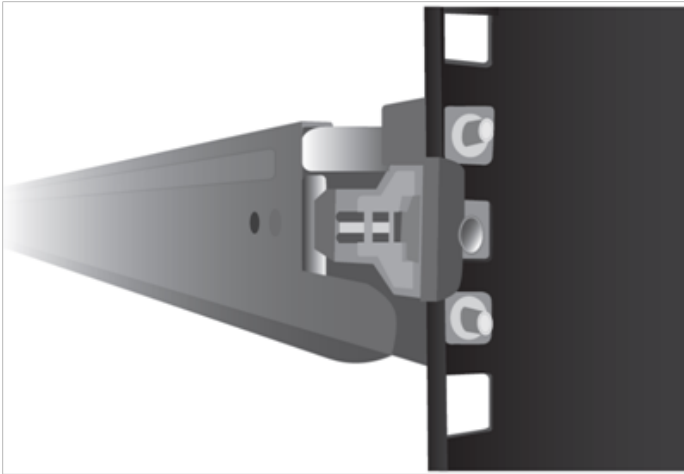
***Press lever to release lock (front right)***



3. To set the rails into the rack posts and secure the rails, follow these steps:
  - a. Press the spring lock then insert the studs into the selected square holes on the rack post.
  - b. Press the spring lock on the other end of the rail and insert the studs into the selected mounting hole on the rack post. If necessary, extend the rail to reach the post.
  - c. Use the rail screws and washers to anchor the rack rail to the post.
  - d. Make sure the rack rail is aligned, secure, stable and in the correct place.
  - e. Perform steps a through c above for the other rail.
  - f. Make sure the rack rails are aligned, secure, stable and in place.  
*See figure on next page.*



***Back left rail secured to post***



4. Use the attaching screws that came with the mounting hardware to secure the enclosure to the rack.

***Front view of Vess A3340s/A3340d secured to rack and placed on rail system***



## ***TASK 3: INSTALLING DISK DRIVES***

The Vess A3340s/A3340d system supports:

- SATA hard disks
- 3.5-inch hard disk drives

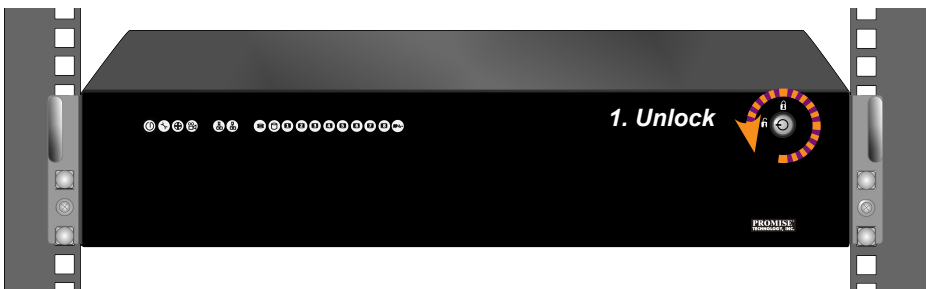
For a list of supported physical drives, download the latest compatibility list from the PROMISE support website.

### **REMOVE SECURITY COVER**

To remove the security cover:

1. Use the tubular key to unlock the cover. Turn counterclockwise to unlock.

#### ***Unlock security cover***



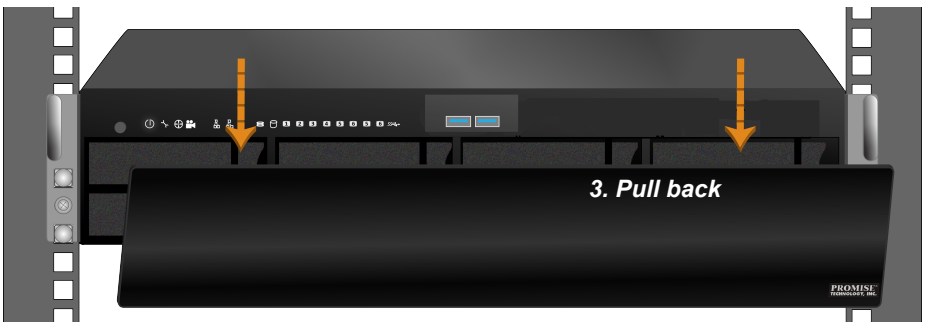
2. Slide the cover to the right about 4 mm.

***Slide security cover***



3. Pull the cover straight back to remove. Be careful not to drop the cover.

***Pull back cover to remove***



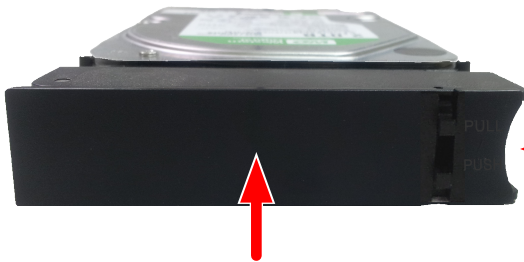
## INSTALL HARD DISK DRIVES

The instructions below apply to all types of drive carriers intended for use with the Vess A3340s/A3340d system.

1. Remove a disk drive carrier.
2. Carefully lay the disk drive into the drive carrier at the front, so that the screw holes on the sides line up.
3. Insert the screws through the holes in the drive carrier and into the sides of the disk drive. *See illustration on next page.*

Install only the counter-sink screws supplied with the drive.

- Install four screws per drive.
  - Snug each screw. Be careful not to over-tighten.
4. Reinstall the drive carrier into the enclosure.
  5. Repeat steps 1 through 3 until all of your disk drives are installed.



Pull handle to release the latch, then pull straight out gripping the handle. Place your free hand underneath when removing or inserting the carrier containing a hard disk drive, so you do not drop it.

Push in the center to insert the drive carrier into an empty drive bay.



Counter sink screws; two screws on each side.

## NUMBER OF DRIVES REQUIRED

The table below shows the number of drives required for each RAID level

Level	Number of drives	Level	Number of drives
RAID 0	1 or more	RAID 6	4 to 32
RAID 1	2 only	RAID 10	4 or more*
RAID 1E	2 to more	RAID 30	6 or more
RAID 3	3 to 32	RAID 50	6 or more
RAID 5	3 to 32	RAID 60	8 or more
*Must be an even number of drives.			

## DRIVE SLOT NUMBERING

You can install any suitable disk drive into any slot in the enclosure. The diagram below shows how drive slots are numbered on the Vess A3340s/A3340d.

Slot numbering is reflected in the web manager GUI and CLI/CLU user interfaces.

### Drive slot numbering for Vess A3340s/A3340d



## TASK 4: MANAGEMENT CONNECTION

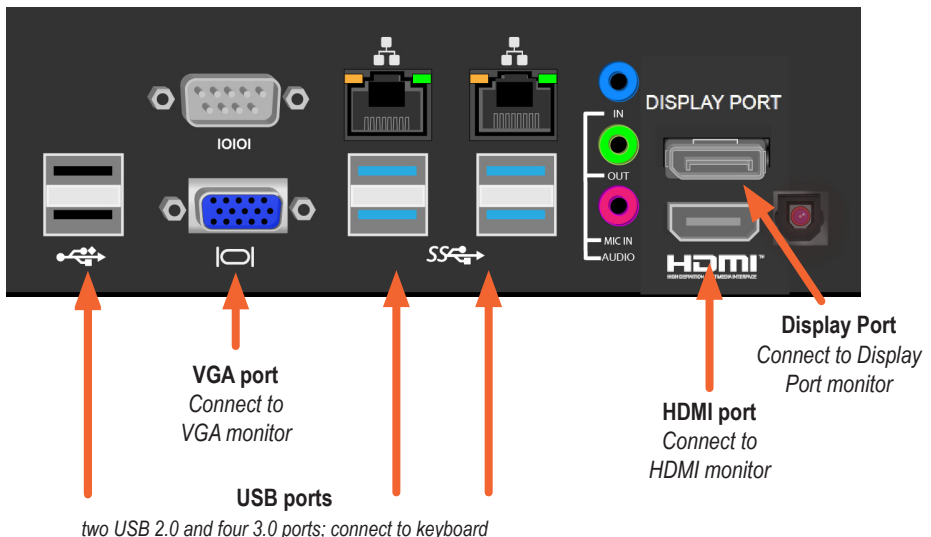
This section describes how to establish a management connection to the Vess A3340s/A3340d system. There are two methods to establish the physical connection used for management of the device. The Vess A3340s/A3340d can be remotely managed through the IP network. Alternatively you can attach a monitor to the VGA, HDMI or Display Port, and connect a USB keyboard and manage the initial setup configuration via direct connection to the device. This Quick Start Guide describes only the second option, connecting to the device with a monitor and keyboard. For remote management through the surveillance and data network, please see the Product Manual.

### MANAGEMENT PATH - ON SITE KEYBOARD AND MONITOR

Use a USB keyboard and a VGA, Display Port, or HDMI monitor to establish a direct out-of-band connection to the management software. The VGA, Display Port, HDMI and USB ports are located on the back of the Vess A3340s/A3340d. Connect a VGA, Display Port or HDMI monitor to the appropriate video monitor port, and connect a USB keyboard to any USB port on the rear panel.

Management via direct attached keyboard and monitor is done with the command line interface (CLI). Please see the Product Manual for a list of commands, use and login information.

#### *Vess A3340s/A3340d rear panel video monitor connections and USB ports*



## MANAGEMENT PATH - NETWORK CONNECTION

The Gigabit Ethernet RJ-45 ports on the rear panel for the network connection used for device administrator. These ports must be physically and logically connected to the subnet used by the system administrator. These ports are also used for

To establish the management path:

1. Attach one end of an Ethernet cable to the network connector or standard NIC in the Host PC.

Attach the other end of the Ethernet cable to one of the ports on the standard network switch on the subnet used for system administration.

2. Attach one end of an Ethernet cable to one of the ports on the same network switch or subnet used for system administration.

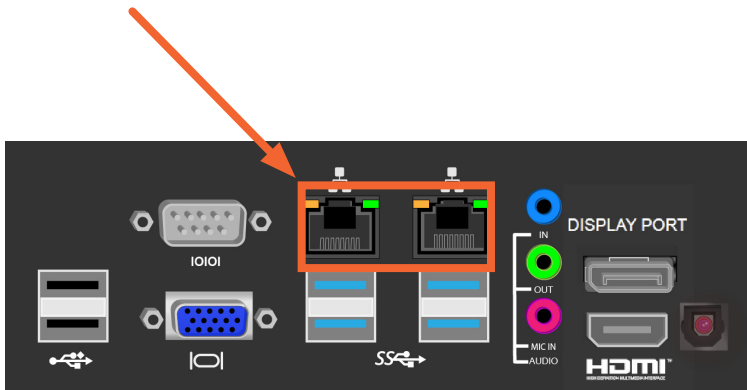
Attach the other end of the Ethernet cable to one of the Gigabit ports on the back of the Vess A3340s/A3340d .

If you have multiple Vess A3340s/A3340d systems, Host PCs or Servers, repeat steps 1 and 2 as required.

3. Follow the instructions for connecting to, and configuring the basic settings of the Vess A3340s/A3340d.

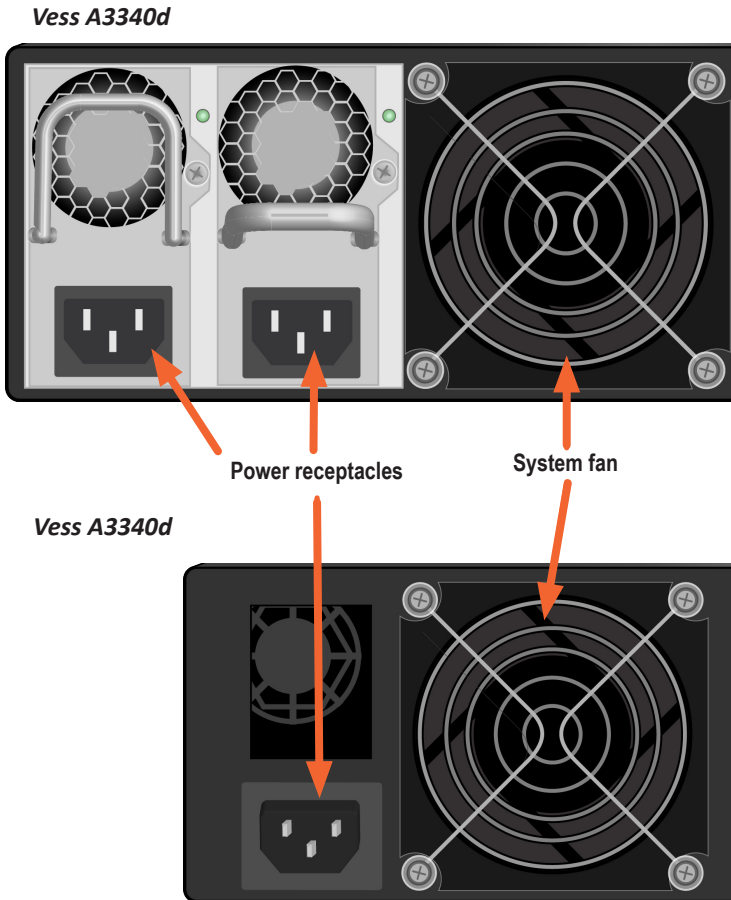
*Please note that you do not need to establish a network connection for the initial setup. The web-based management interface is accessible using a keyboard and monitor directly attached to the device. See the next section for instructions.*

### Gigabit ports on the rear panel



## TASK 5: CONNECTING THE POWER

Insert a power cable into the power receptacle on each power supply. The Vess A3340d is equipped with two power supplies, the Vess A3340s has a single power supply.



### POWER ON VESS A3340S/A3340D SYSTEM

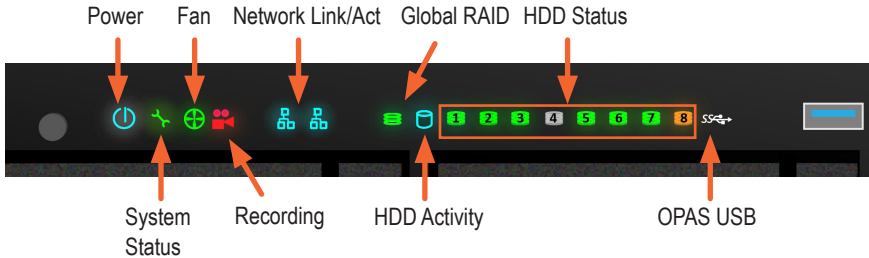
With the power supplies connected, the system can now be powered on.

To power on the Vess A3340s/A3340d system, press the Power button in the top left corner of the front panel. Observe the LEDs on the front panel to make certain the boot proceeds smoothly.



## FRONT PANEL LEDs

### LED indicators on front of Vess A3340s/A3340d



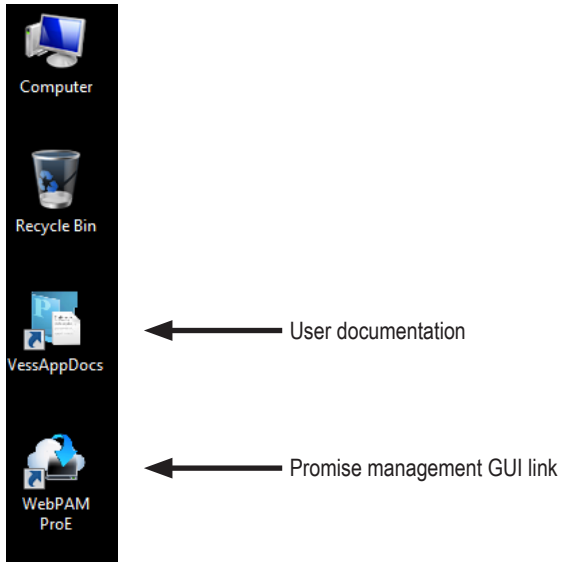
When boot-up is finished, check the LEDs on the front panel to make sure the system is functioning properly.

LED	Description
<b>Power</b>	Lights BLUE to indicate the system is powered on.
<b>System Status</b>	Lights GREEN when healthy, RED if there is a critical problem (LD offline, fan malfunction, voltage out of range, system temperature alert), remains dark when not ready.
<b>Fan Status</b>	Lights GREEN when healthy, RED indicates a fan in the System module is not operating in normal range, ORANGE indicates the CPU fan module is not present.
<b>Recording</b>	RED indicates application running.
<b>Network Link/Activity</b>	One LED for each 1000BASE-T LAN port. Lights BLUE to indicate a valid link, blinks BLUE to indicate activity on the port.
<b>Global RAID Status</b>	Lights GREEN when healthy or RED if any RAID volume is offline, ORANGE for critical state of any logical drive.
<b>Global HDD Activity</b>	Blinks BLUE to indicate one or more drives are being accessed, remains dark when no drives are being accessed.
<b>HDD Status</b>	Lights GREEN when healthy, RED if the RAID member is offline or there is a physical disk error, ORANGE indicates the drive is rebuilding, and a dark LED indicates either no drive is installed or the drive is not configured.
<b>OPAS USB</b>	Lights GREEN if an OPAS device (USB disk) is detected, RED if the OPAS operation has failed, blinks GREEN when an OPAS operation is in progress.

## ***TASK 6: ACCESS OPERATING SYSTEM GUI***

To access the installed operating system graphical user interface on the Vess A3340s/ A3340d, insert a USB keyboard into any USB port, and connect a monitor using either the VGA or HDMI port. See “*Management Path - on site keyboard and monitor*” on page 15 for description on how to connect.

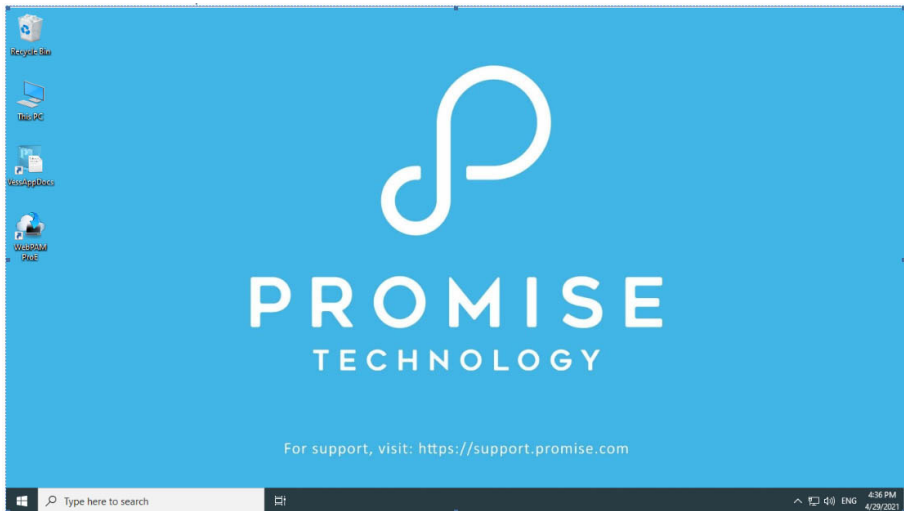
### ***Windows 10 desktop quick links***



## LOG IN TO WINDOWS 10

For Windows 10 installations, once the system has booted up it will be necessary to choose various options to complete the OS setup. You will be prompted to select a default language and other user interface preferences. Follow the instructions on screen to complete your preferences selection and to establish a user name and password for the administrator. After completing these final tasks, the Windows 10 desktop appears. Notice that there are two quick link icons, one for the a web browser connection to WebPAM PROe and one link to a file that contains user documents.

### Windows 10 desktop quick links



## ***TASK 7: CREATING LOGICAL DRIVES***

Setting up WebPAM PROe consists of the following actions:

- Logging into WebPAM PROe
- Choosing a Language
- Creating Your Logical Drives
- Logging out of WebPAM PROe

### ***LOGGING INTO WEBPAM PROE***

Double click the WebPAM PROe link icon on the desktop to launch the default browser and go to the login page.

When the log-in screen appears:

- Type **administrator** in the User Name field.
- Type **password** in the Password field.
- Click the **Login** button.

The User Name and Password are case sensitive

After sign-in, the WebPAM PROe opening screen appears. If there are any unconfigured physical drives in the enclosure, an Array Configuration menu also appears.



---

#### **Note**

Make a Bookmark (Firefox) or set a Favorite (Internet Explorer) of the Login Screen so you can access it easily next time.

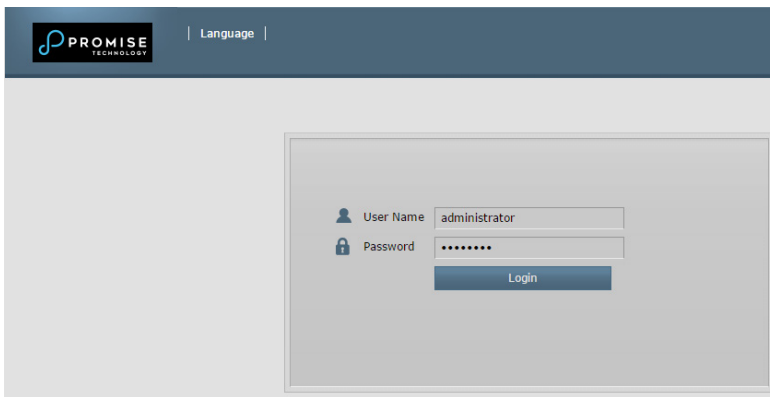
---

## CHOOSING A LANGUAGE

WebPAM PROe displays in English, German, French, Italian, Spanish, Russian, Japanese, Korean, Traditional Chinese, and Simplified Chinese. Language preference can be chosen at the login screen or after logging in from the WebPAM PROe menu header.

1. Select the **Language** to use for the interface from the menu header in the Login screen.
2. Click the language you prefer. The WebPAM PROe user interface displays in the chosen language.

*Choose “Language” used for WebPAM PROe interface*



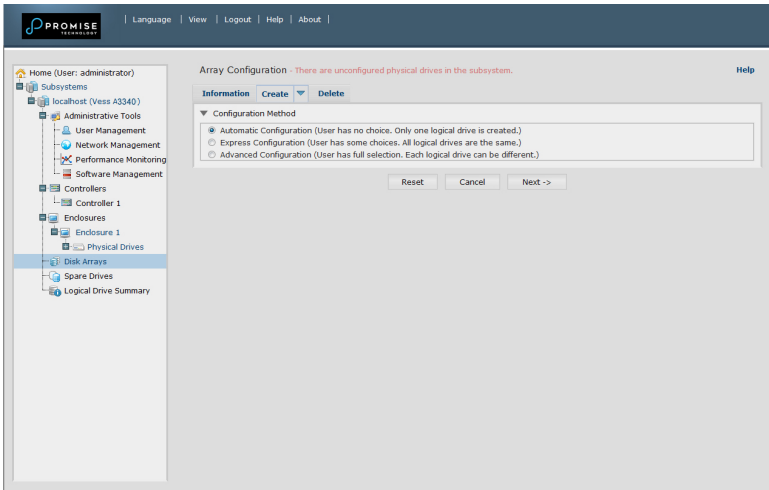
The screenshot shows the WebPAM PROe login interface. At the top left is the Promise Technology logo. To its right is a language selection menu with the text "Language" and a dropdown arrow. Below the logo and menu is a login form with two input fields: "User Name" containing the text "administrator" and "Password" containing seven asterisks. A blue "Login" button is positioned below the password field.

# CREATING YOUR LOGICAL DRIVES

On a newly activated Vess A3340s/A3340d system, there are no disk arrays or logical drives. To create a logical drive:

1. Log in to Web PAM PROe. If there are no arrays configured, you will be automatically directed to the **Disk Array Configuration** menu.

## *Disk Array menu (when no arrays present)*



2. The Disk Array Configuration menu offers three options for configuration. Choose one of the options:
  - **Automatic Configuration** – Creates a new disk array following a default set of parameters. Makes one logical drive automatically. Also makes a hot spare drive for all RAID levels except RAID 0, if at least four unconfigured physical drives are available.
  - **Express Configuration** - You choose the parameters for a new disk array by specifying the characteristics you want. You can create multiple logical drives at the same time, however they will all be identical. You can choose to make a hot spare drive for all RAID levels except RAID 0, if at least four unconfigured physical drives are available
  - **Advanced Configuration**– You directly specify all parameters for a new disk array. Makes one logical drive automatically. You can create additional logical drives at a later time, if additional configurable capacity is available. Does not make a hot spare drive.
3. Click the **Next** button.

## Automatic Configuration

When you choose the Automatic option, the following parameters appear on the screen:

- **Disk Arrays** – The number of physical drives in the disk array, their ID numbers, configurable capacity, and the number of logical drives to be created
- **Logical Drives** – The ID number of the logical drive(s), their RAID level, capacity, and stripe size
- **Spare Drives** – The physical drive slot number of the dedicated hot spare assigned to this disk array. A hot spare drive is created for all RAID levels except RAID 0, when five or more unconfigured physical drives are available

### Automatic Disk Array Configuration menu

Automatic Configuration
Help

Information | Create ▼ | Delete

▼ Disk Array 1 - Information

Number of Physical Drives	3
Physical Drive IDs	1 2 3
Total Configurable Capacity	5.46TB
Number of Logical Drives	1

▼ Disk Array 1 - Logical Drives

#	RAID Level	Capacity	Stripe	Sector	Read Policy	Write Policy
1	RAID5	3.64TB	64KB	512Bytes	ReadAhead	WriteBack

▼ Spare Drives

#	Physical Drive IDs	Spare Type
No hot spare drive available in the disk array.		

Submit   Cancel

If you accept these parameters, click the **Submit** button.

The new disk array appears in the Disk Array List on the Information tab.

If you do NOT accept these parameters, use the Express or Advanced option to create your logical drive.

## Express Configuration

When you choose the Express option, a set of characteristics and options appears on the screen.

### *Express Configuration options menu*

Express Configuration
Help

Information
Create ▼
Delete

▼ Express Configuration

Redundancy	<input checked="" type="checkbox"/>
Capacity	<input checked="" type="checkbox"/>
Performance	<input checked="" type="checkbox"/>
Spare Drive	<input checked="" type="checkbox"/>
Mixing SATA/SAS Drive	<input checked="" type="checkbox"/>
Number of Logical Drives	<input type="text" value="1"/> Max: 32
Application Type	<input type="text" value="File Server"/>
Automatic Update	<input type="checkbox"/> <input type="button" value="Update"/>

▼ Disk Array 1 - Information

Number of Physical Drives	3
Physical Drive IDs	1 2 3
Total Configurable Capacity	5.46TB
Number of Logical Drives	1

▼ Disk Array 1 - Logical Drives

#	RAID Level	Capacity	Stripe	Sector	Read Policy	Write Policy
1	RAID5	3.64TB	64KB	512Bytes	ReadAhead	WriteBack

▼ Spare Drives

#	Physical Drive IDs	Spare Type
No hot spare drive available in the disk array.		

1. Check the boxes to choose any one or a combination of:
  - Redundancy – The array will remain available if a physical drive fails
  - Capacity – The greatest possible amount of data capacity
  - Performance – The highest possible read/write speed
  - Spare Drive – A hot spare drive is created when you choose Redundancy, Spare Drive, and five or more unconfigured physical drives are available.
2. In the Number of Logical Drives field, enter the number of logical drives you want to make from this disk array.

The maximum possible number of logical drives appears to the right of this field.



3. From the **Application** Type menu, choose an application that best describes your intended use for this disk array:
  - File Server
  - Video Stream
  - Transaction Data
  - Transaction Log
  - Other
4. Click the **Update** button.

Or check the Automatic Update box and updates will occur automatically.

The following parameters display:

- **Disk Arrays** – The number of physical drives in the disk array, their slot numbers, configurable capacity, and the number of logical drives to be created
- **Logical Drives** – The slot number of the logical drive(s), their RAID level, capacity, and stripe size
- **Spare Drives** – The physical drive slot number of the dedicated hot spare assigned to this disk array (all RAID levels except RAID 0)

If you accept these parameters, proceed to the next step.

If you do NOT accept these parameters, review and modify your selections in the previous steps.

5. When you are done, click the **Submit** button.

The new disk array appears in the Disk Array List on the Information tab.

## Advanced Configuration



### Note

For an explanation of the parameters under the Advanced option, please download the Product Manual at [www.promise.com](http://www.promise.com).

When you choose the Advanced option, the *Step 1 – Disk Array Creation* screen displays.

### **Advanced Configuration (Step 1 Disk Array Creation)**

## Step 1 – Disk Array Creation

- Optional. Enter a name for the disk array in the field provided.

Maximum of 32 characters; letters, numbers, space between characters, and underline.

Uncheck the boxes if you want to disable Media Patrol or PDM.

PROMISE recommends leaving these features enabled.

Highlight physical drives you want in the disk array from the Available list and press the >> button to move them to the Selected list.

You can also double-click them to move them.

- When you are done, click the **Next** button.

## Step 2 – Logical Drive Creation

### **Advanced Configuration (Step 2 Logical Drive Creation)**

The screenshot shows the 'Create Disk Array' wizard in the 'Advanced Configuration' step. The 'Advanced Configuration (Step 2 - Logical Drive Creation)' section contains the following fields:

- Alias: (empty text field)
- RAID Level: RAID5 (dropdown menu)
- Capacity: 3.63 TB (text field with unit dropdown), Maximum: 3.63TB
- Stripe: 64KB (dropdown menu)
- Sector: 512Bytes (dropdown menu)
- Read Policy: ReadAhead (dropdown menu)
- Write Policy: WriteBack (dropdown menu)

Below these fields are 'Update' and 'Delete' buttons. The 'Capacity Usage' section shows a bar chart with 'Free Capacity' and 'Logical Drive Entered' indicators. The 'New Logical Drives' section contains a table with columns: #, Alias, RAID Level, Capacity, Stripe, Sector, Read Policy, and Write Policy. The table currently shows 'No new logical drive available.' and has '<- Back' and 'Cancel' buttons at the bottom.

Optional. Enter an alias for the logical drive in the field provided. Maximum of 32 characters; letters, numbers, space between characters, and underline.

Choose a RAID level for the logical drive from the dropdown menu.

The choice of RAID levels depends on the number of physical drives you selected.

RAID 30 and 50 only – Specify the number of axes for your array.

Specify a Capacity and the unit of measure (B, KB, MB, GB, TB).

This value will be the data capacity of the first logical drive in your new disk array. If you specify less than disk array's maximum capacity, the remaining capacity is available for additional logical drives that you can create now or later.

- For the following items, accept the default or choose a new value from the dropdown menu:
  - Stripe size. 64 KB is the default.
  - 64 KB, 128 KB, 256 KB, 512 KB, and 1 MB are available.
  - Sector size. 512 B is the default.
  - 512 B, 1 KB, 2 KB, and 4 KB are available.
  - Read (cache) Policy. Read Ahead is the default.
  - Read Cache, Read Ahead, and No Cache are available.
  - Write (cache) Policy. Write Back is the default.
  - Write Back and Write Through (Thru) are available.

1. Click the **Update** button.

A new logical drive is displayed under New Logical Drives. If there is free capacity remaining, you can specify another logical drive now or wait until later.

2. When you are done specifying logical drives, click the **Next** button.

### Step 3 – Summary

The Summary lists the disk array and logical drive information you specified.

To proceed with disk array and logical drive creation, click the **Submit** button.



---

#### Note

This function does not automatically create a hot spare drive. After the disk array is created, you can create a hot spare drive for it.

Please download the Product Manual at : [www.promise.com](http://www.promise.com) for more information.

---

### Logging out of WebPAM PROe

There are two ways to log out of WebPAM PROe:

- Close your browser window
- Click **Logout** on the WebPAM PROe banner

Clicking **Logout** brings you back to the Login Screen. After logging out, you must enter your user name and password in order to log in again.

## ***SYSTEM SHUTDOWN***

To shutdown the system, perform the normal shutdown procedure according to the operating system being used.

# PRODUCT REGISTRATION

It is good practice to register your Vess A-Series system with PROMISE in order to better support and assist you throughout the life of the product.

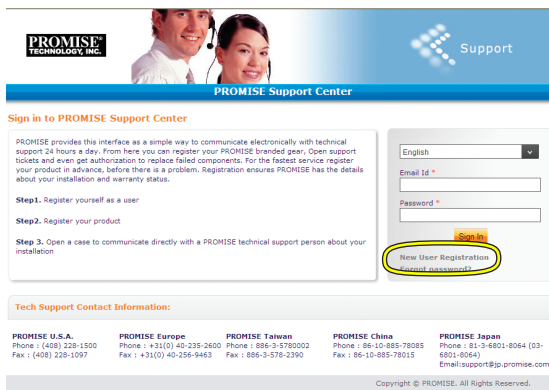
If you are not a registered, first create a user account, then proceed to register the product. If you are already registered, log in and go to the Product Registration (see below).

To create a user account:

1. Go to <http://www.promise.com/Index>, find **Support** in the top menu and move your cursor to select **e-Support**.



2. Click on **New User Registration**.



3. Complete the User Registration form and click the **Submit** button when finished. (See example form on next page).

## Support Center online User Registration form

**PROMISE Support Center - User Registration**

This dialog provides the ability to sign up at the PROMISE Support Center. We will need some basic information, but you can provide us with optional information as you like.

Fields marked with \* are required

**Your Email Address and Password**

\*Email

\*Password

\*Re-enter Password

---

**Enter Password Reset Information**

\*Secret Question

\*Enter Your Response

---

**Your Personal Information**

\*First Name

Middle Initial

\*Last Name

\*Address 1

Address 2

\*City

State

\*Postal Code

\*Country

\*Phone

Alternate Phone

Fax

---

**Company and Designation Information**

\*Company

\*Job Title

\*Customer Type

---

**Verification Code**

13 + 27 =

Fill in all required information (marked with an asterisk \* on the menu) and click the **Submit** button to register. You will then be logged in on the Support page.

## REGISTER YOUR VESS A-SERIES

To register your Vess A-Series system once you logged in to the Support page, under **Product Registration** select **Register**.



All communication with PROMISE Technical Support is stored here. The links to register new products or open a support case appear here.

Currently registered products and open support cases will appear here.

[Vtrak Training Details](#)

1. Choose the product line and model of the system you want to register.



2. Fill in all required information including Serial Number and Date Purchased, click **Complete Registration** at the bottom of the page to finish. A confirmation message will appear letting you know that you have successfully registered.

**Register Product**

Fields marked \* are mandatory  
 Select the Specific Product or (FRU) Field Replaceable Unit product. Example: BBU, Powersupply, Cables etc...

Choose the Product you want to register


Product Name: **Vtrak E-Class for Mac 4x1TB SATA Raid System**

Product Description: Vtrak E-Class for Mac 4x1TB DATA Raid System

Quantity: 1

**Please Enter the Details for the system 1**

**Registration and Warranty**

Serial Number: \* (Have 0 in 5th char position) (Do not have 0 in 5th char position) 

Date Purchased:

End of Warranty:  **Get Warranty**

**Not all PROMISE products have a standard 3 years limited warranty. Please reference the product manual for warranty information.**

**Register Purchased Contracts**

\* Please leave the contract field BLANK if you DO NOT have a contract number

TLA Number:

PSP Contract Number:

Ext Warranty Number:

HDD Disposal Contract Number:

**Host System Details**

Host Name:

StorageApplication: \*

Operating System:  Service Pack Version OR Kernel / OS Update Version:

Purchased From:  Model:

System Manufacturer:  Firmware Version:

Mother Board:  Model Number:

Disk Drive:  Firmware Version:

**Reset** **Complete Registration** **Cancel Registration**

Home | Profile | Contact Us Copyright © PROMISE. All Rights Reserved.

*Note that the Host Name field is not required, however it is useful to create a name for easy reference when you open a web support case.*

## OPEN A WEB SUPPORT CASE

It is a good idea to go ahead and open a case now that you are registered and online. This will make it easier for tracking technical support for your product, which can mean faster resolution of issues that might arise in the future.

1. In the e-Support Home page, select *Open Web Support*.



2. In the **Select Product** menu, choose your newly registered Vess A-Series device in the list.



*Note that if you are adding a new device, choose **Click here to add product** and follow steps 1 and 2 on the previous page.*



- Choose the **Host Name** (custom Host Names are optional, created in the Product Registration form) and click to check mark the **Serial Number** box you entered in the Product Registration. Then supply all required information (marked with an asterisk \* on the menu) and click on the **Submit** button to create the new case. If you should need technical support in the future, you can login and choose the existing case from the menu shown under Step 2 previously.

Home | Profile | Help | Logout

**PROMISE**  
TECHNOLOGY, INC.

Support

Product Registration    Web Support    RMA Support    Knowledge Base

**PROMISE Web Support Online Form**

If your product is a Vtrak, please provide us with the subsystem logs, and attach the logs at the bottom of this page, in the attach field, this will help support speed up the troubleshooting process. If you do not know how to obtain logs for your Vtrak product please search our knowledge base here [kb.promise.com](http://kb.promise.com)

Fields marked with \* are required

**Product**

Select Product: [Dropdown]

Problem Description: Part No# F40DS6705100000, F40DS6704100000,F4

Select Host: [Host] \*  
Serial Number  SG0017076267  
End of Warranty July 2014  
Date Purchased

**System Information**

Storage Application: [Dropdown]

Host Name: [Host] \*    TLA Member: [Text Box]

Operating System: [CentOS] \*  
Purchased From: [Text Box]

**Other Hardware**

Host Bus Adapter	Manufacturer	Model Number	BIOS Version	Driver Version
[Text Box]	[Text Box]	[Text Box]	[Text Box]	[Text Box]

**Problem Description**

Details: [Text Area]

Attach Error files and subsystem logs if any: [Text Box] **Attach**

**Submit**    **Reset**

Notice the “Attach Error files and subsystem logs if any” message together with the **Attach** button. This can be used to attach a service report. See the product manual for instructions on generating a service report.

## CONTACTING TECHNICAL SUPPORT

PROMISE Technical Support provides several support options for PROMISE users to access information and updates. We encourage you to use one of our electronic services, which provide product information updates for the most efficient service and support.

If you decide to contact us, please have the following information available:

- Product model and serial number
- BIOS, firmware and driver version numbers
- A description of the problem or situation
- System configuration information, including: motherboard and CPU type, hard drive models, SAS/SATA/ATA/ATAPI drives & devices, and other controllers.

## TECHNICAL SUPPORT SERVICES

<b>PROMISE Online™ Website</b>	<a href="http://www.promise.com/support/support_eng.asp">http://www.promise.com/support/support_eng.asp</a> (technical documents, drivers, utilities, etc.)
<b>E-mail Support</b>	<a href="#">e-Support On-Line</a>
<b>Phone Support:</b>	
United States	+1 408 228 1400 option 4
Australia/New Zealand	+61 7 3191 7489
The Netherlands	+31 0 40 235 2600
Germany	+49 (0) 2 31 56 76 48 - 0
Italy	+39 0 6 367 126 26
Japan	+81-3-6801-8064
Taiwan	+886 3 578 0002
Beijing, China	+86 10 8857 8085 or 8095
Shanghai, China	+86 21 6249 4192, 4193, or 4199
Singapore	+65-3158-4344