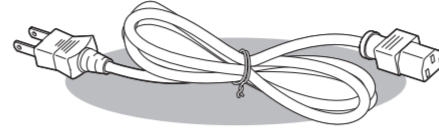
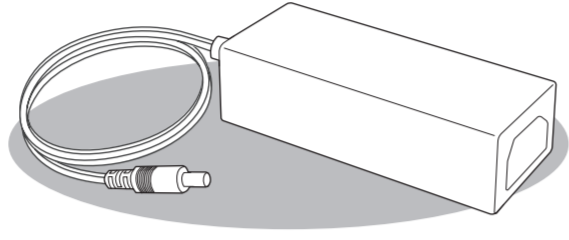
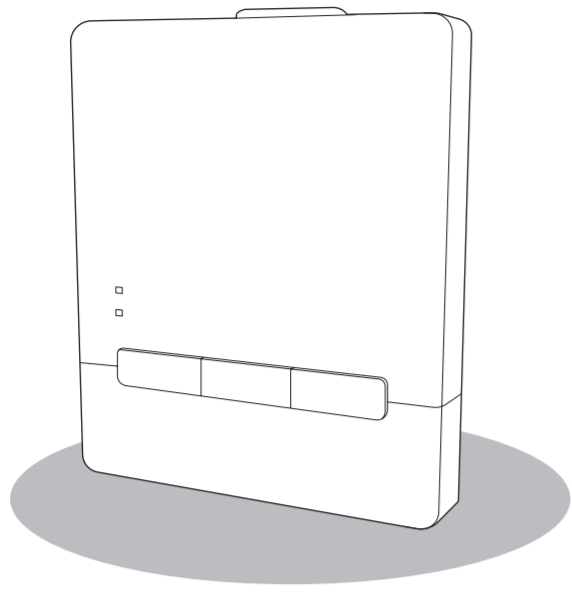
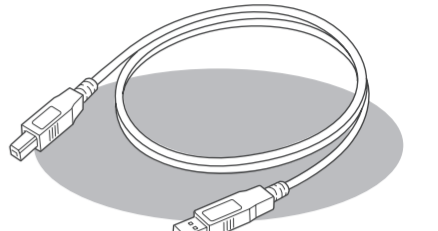
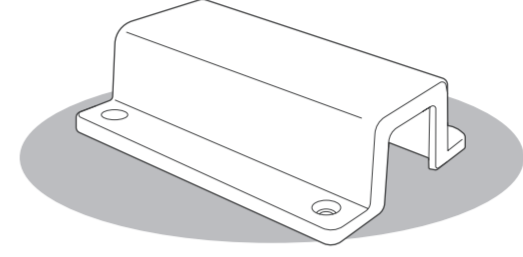




ELPHD02 User's Guide



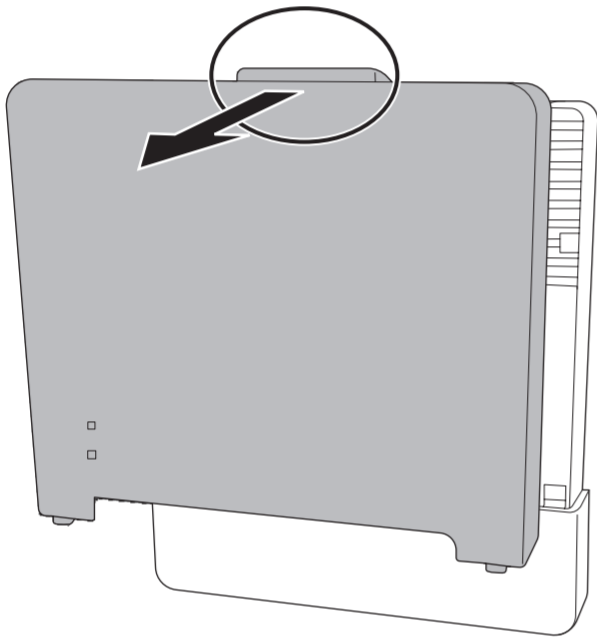
(Approx. 1.8 m)
(For Japanese User: Approx. 3.0 m)



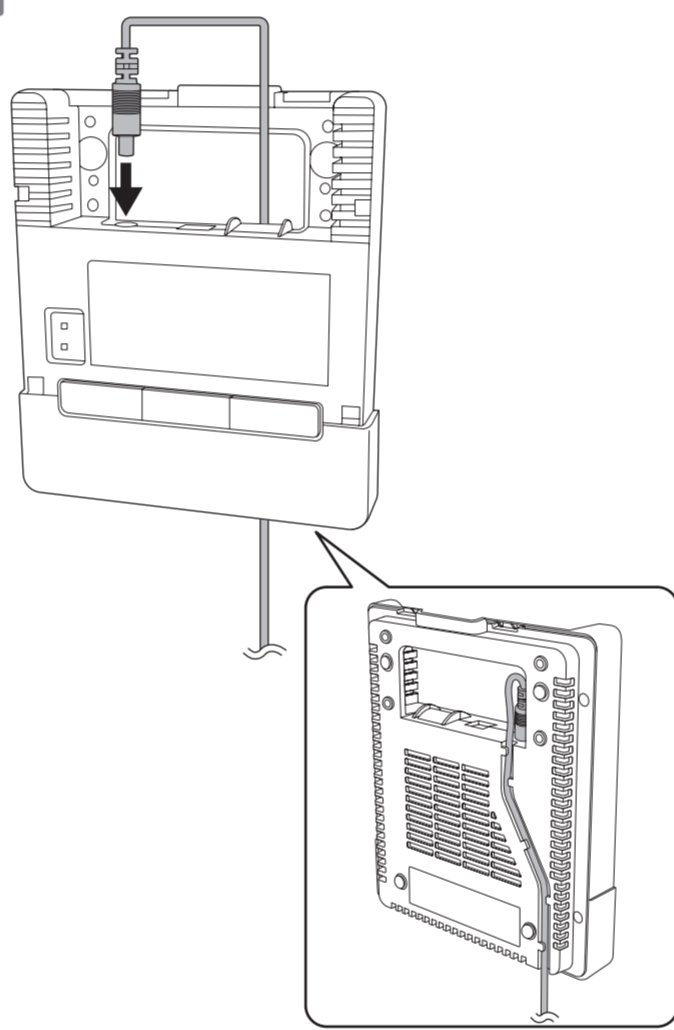
(Approx. 1.8 m)

Installation

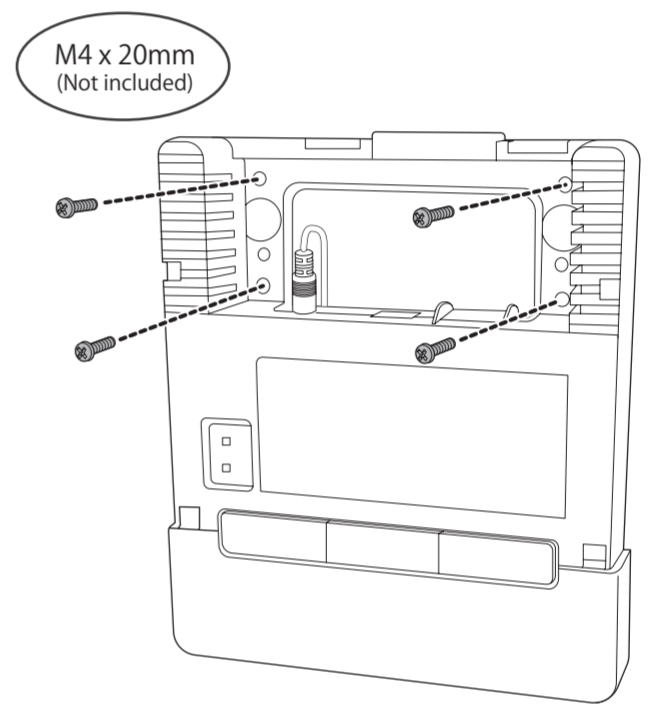
1



2

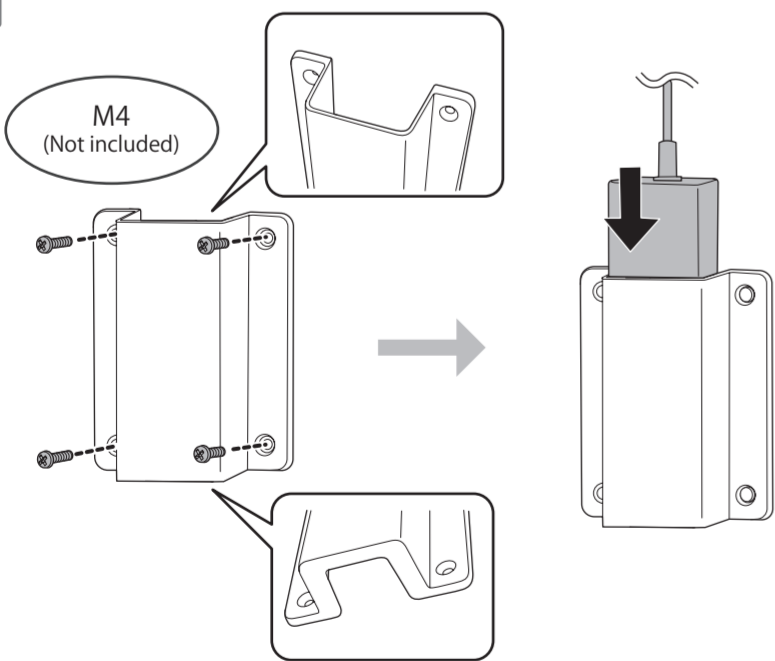


3



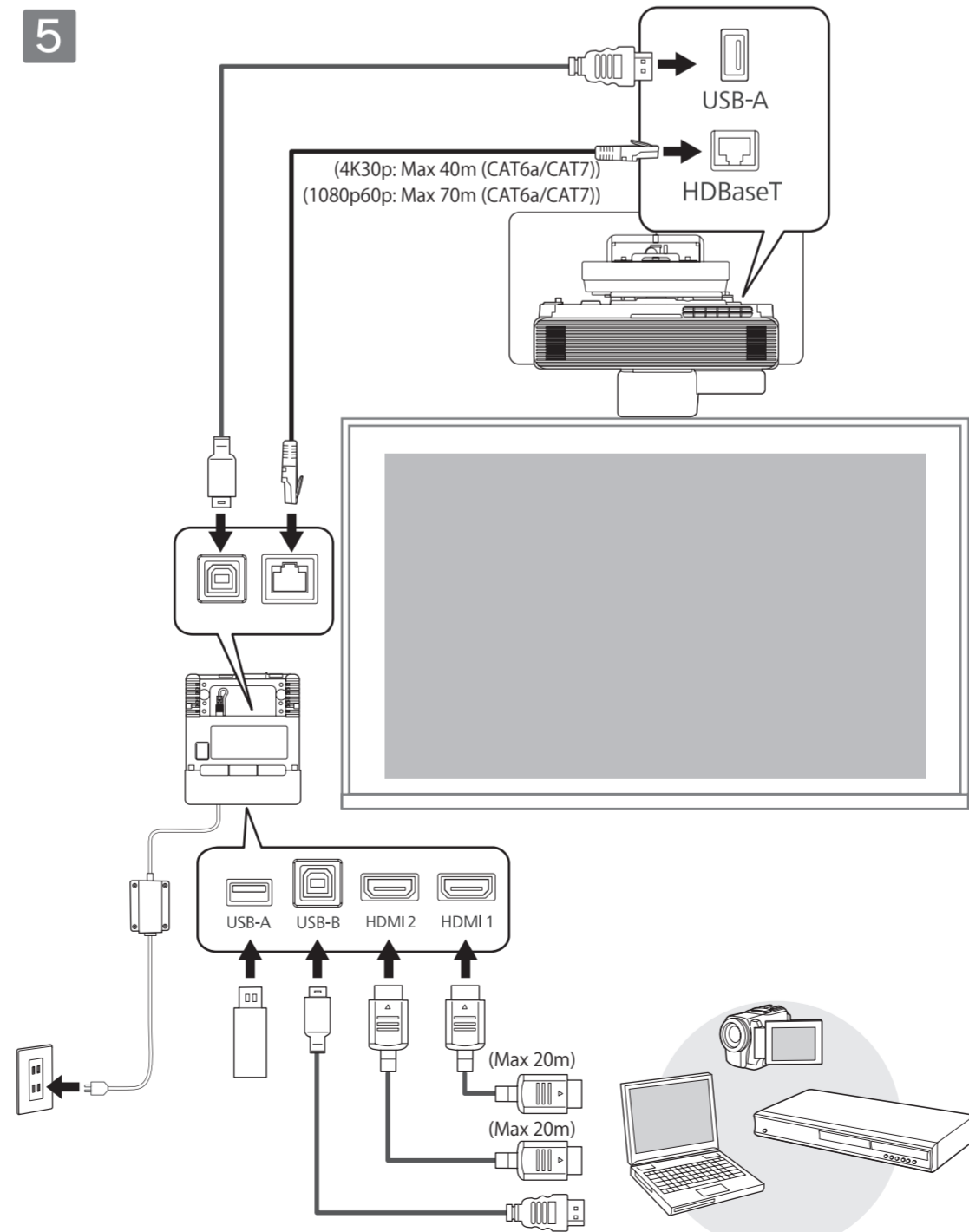
M4 x 20mm
(Not included)

4

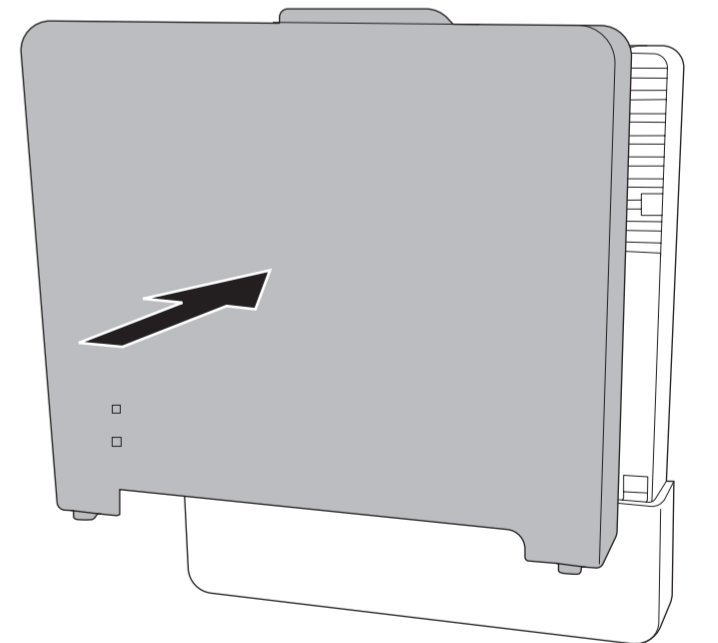


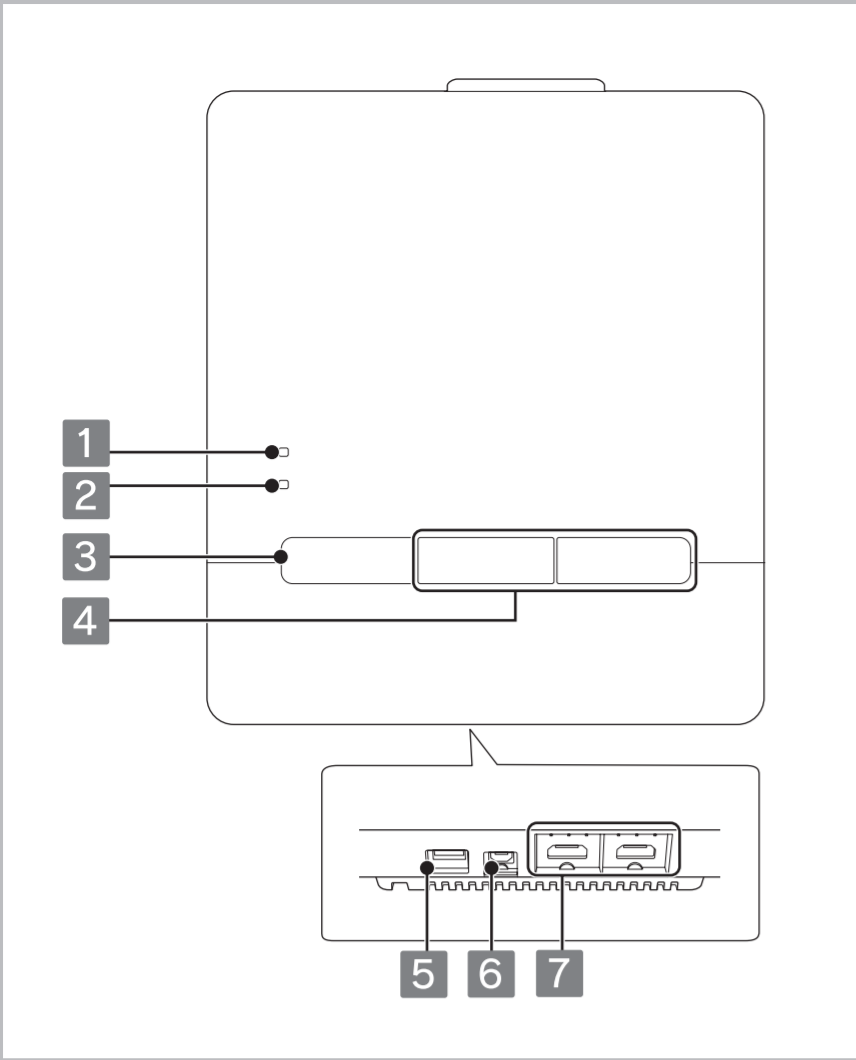
M4
(Not included)

5



6





EN About This Guide

This guide explains how to install the ELPHD02. See the "Installation Guide" that you can access using the QR code on the right for more details.



Using the Product Safely

Warning	
Do not connect the Control Pad to an unsupported projector or to another device. Doing so may damage the device.	
The power cable supplied is exclusively for the ELPHD02. Do not use it with other devices.	
Do not disassemble or remodel this product.	

WARNING: This product contains chemicals, including lead, known to the State of California to cause birth defects or other reproductive harm. Wash hands after handling. (This notice is provided in accordance with Proposition 65 in Cal. Health & Safety Code § 25249.5 and following.)

Item	Specifications
Control pad mass	Approx. 0.6 kg
Power (AC adapter)	100 to 240 V AC +/- 10%, 50/60 Hz
Power	12 VDC 2.5 A 30 W
Electricity consumption during use	4.5 W
Operating temperature	0 to 40°C (no condensation)
Operating altitudes	0 to 3,048 m

FR À propos de ce Guide d'installation

Ce guide explique comment faire pour installer le ELPHD02. Consultez le "Guide d'installation" que vous pouvez ouvrir en utilisant le code QR à droite pour plus de détails.



Utiliser le produit de façon sûre

Avertissement	
Ne connectez pas le Control Pad à un projecteur non pris en charge ou à un autre appareil. Cela peut endommager l'appareil.	
Le câble d'alimentation fourni est exclusivement conçu pour le ELPHD02. Ne l'utilisez pas avec d'autres appareils.	
Ne démontez et ne remontez pas ce produit.	

Élément	Spécification
Masse du Control Pad	Environ 0,6 kg
Alimentation (adaptateur secteur)	100 à 240 V CA +/- 10%, 50/60 Hz
Alimentation	12 V CC, 2,5 A, 30 W
Consommation électrique pendant l'utilisation	4,5 W
Température de fonctionnement	0 à 40°C (sans condensation)
Altitudes de fonctionnement	0 à 3048 m

DE Über diese Installationsanleitung

Diese Anleitung erläutert die Installation der ELPHD02. In der über den QR-Code auf der rechten Seite aufrufbaren „Installationsanleitung“ finden Sie weitere Einzelheiten.



Sichere Verwendung des Produktes

Warnung	
Verbinden Sie das Control Pad nicht mit einem nicht unterstützten Projektor oder einem anderen Gerät. Andernfalls könnte das Gerät beschädigt werden.	
Das mitgelieferte Netzkabel ist ausschließlich für den ELPHD02 vorgesehen. Nicht mit anderen Geräten verwenden. Demontieren oder verändern Sie dieses Produkt nicht.	

Punkt	Technische Daten
Gewicht des Control Pad	Ca. 0,6 kg
Stromversorgung (Netzteil)	100 bis 240 V Wechselspannung +/- 10 %, 50/60 Hz
Stromversorgung	12 V Gleichspannung, 2,5 A, 30 W
Leistungsaufnahme während des Betriebs	4,5 W
Betriebstemperatur	0 bis 40 °C (ohne Kondensation)
Betriebshöhe	0 bis 3.048 m

Verbinden Sie das Control Pad nicht mit einem nicht unterstützten Projektor oder einem anderen Gerät. Andernfalls könnte das Gerät beschädigt werden. Das mitgelieferte Netzkabel ist ausschließlich für den ELPHD02 vorgesehen. Nicht mit anderen Geräten verwenden. Demontieren oder verändern Sie dieses Produkt nicht.

ES Acerca de esta Guía de instalación

En esta guía se explica cómo instalar su ELPHD02. Consulte la "Guía de instalación", a la que puede acceder utilizando el código QR situado a la derecha, para obtener más detalles.



Utilizar el producto de forma segura

Advertencia	
No conecte el Control Pad a un proyector no admitido ni a otro dispositivo. Si no sigue esta recomendación, el dispositivo se puede dañar.	
El cable de la alimentación suministrado es exclusivamente para el modelo ELPHD02. No lo utilice con otros dispositivos. No desmonte o remodele este producto.	

Elemento	Especificación
Peso del Control Pad	Aprox. 0,6 kg
Alimentación (adaptador de CA)	De 100 a 240 VCA +/- 10%, 50/60 Hz
Alimentación	12 VCC 2,5 A 30 W
Consumo eléctrico durante el uso	4,5 W
Temperatura de funcionamiento	De 0 a 40 °C (sin condensación)
Altitudes de funcionamiento	De 0 a 3.048 m

IT Informazioni sulla presente Guida di installazione

Questa guida spiega come installare l'ELPHD02. Per maggiori dettagli, consultare la "Guida di installazione" accessibile tramite il codice QR sulla destra.



Uso sicuro del prodotto

Avvertenza	
Non collegare il Control Pad a un proiettore o un altro dispositivo non supportato. In caso contrario il dispositivo potrebbe danneggiarsi.	
Il cavo di alimentazione fornito è da utilizzarsi esclusivamente con ELPHD02. Non utilizzarlo con altri dispositivi. Non smontare o modificare il prodotto.	

Elemento	Specifiche tecniche
Massa del Control Pad	0,6 kg circa
Alimentazione (trasformatore CA)	da 100 a 240 V CA +/- 10%, 50/60 Hz
Potenza	12 V CC 2,5 A 30 W
Consumo elettrico durante l'uso	4,5 W
Temperatura operativa	da 0 a 40 °C (senza condensa)
Altitudine operativa	da 0 a 3.048 m

PT Sobre o Manual de instalação

Este manual explica como instalar o suporte ELPHD02. Para mais detalhes, consulte o "Manual de instalação" que pode ser acessado com o código QR à direita.



Utilizar o Produto em Segurança

Aviso	
Não ligue o Control Pad a um projetor não suportado ou a outro dispositivo. Caso contrário, poderá danificar o dispositivo.	
O cabo de alimentação fornecido destina-se exclusivamente para o modelo ELPHD02. Não o utilize com outros dispositivos. Não desmonte nem efectue alterações a este produto.	

Item	Especificação
Peso do control pad	Aprox. 0,6 kg
Energia (Transformador CA)	100 a 240 V CA +/- 10%, 50/60 Hz
Potência	12 VDC 2,5 A 30 W
Electricity consumption during use	4.5W
Temperatura de funcionamento	0 a 40°C (sem condensação)
Altitudes de funcionamento	0 a 3 048 m

SC 关于本安装手册

本手册介绍了如何安装 ELPHD02。如需获取更多信息，请扫描右侧二维码查看“安装手册”。



安全使用产品

警告	
请勿将 Control Pad 连接到不受支持的投影机或其他设备。这样做可能会损坏设备。	
提供的电源线仅适用于 ELPHD02。不要将其用于其他设备。请勿拆解或改动本产品。	

项目	规格
Control Pad 重量	约 0.6 kg
电源 (AC 适配器)	100 到 240 V AC +/- 10%, 50/60 Hz
电源	12 VDC 2.5 A 30 W
使用时的耗电量	4.5 W
操作温度	0 到 40 ° C (无结露)
操作高度	0 至 2,000 m

产品中有毒物质的名称及含量

部件名称	有害物质					
	铅 (Pb)	汞 (Hg)	镉 (Cd)	六价铬 (Cr (VI))	多溴联苯 (PBB)	多溴二苯醚 (PBDE)
电路板 / 电子部件	x	o	o	o	o	o
外壳 / 机械部件	x	o	o	o	o	o

本表格依据 SJ/T11364 的规定编制。
 o：表示该有害物质在该部件所有均质材料中的含量均在 GB/T 26572 规定的限量要求以下。
 x：表示该有害物质至少在该部件的某一均质材料中的含量超出 GB/T 26572 规定的限量要求。但这只是在保证产品性能和功能条件下，现在还没有可替代的材料和技术而被使用。

产品环保使用期限的使用条件

在中国销售的电子电气产品的环保使用期限，表示按照本产品的安全使用注意事项使用的情况下，从生产日期开始，在标志的年限内使用，本产品含有的有害物质不会对环境、人身和财产造成严重影响。

Indication of the manufacturer and the importer in accordance with requirements of EU directive	
Manufacturer: SEIKO EPSON CORPORATION Address: 3-5, Owa 3-chome, Suwa-shi, Nagano-ken 392-8502 Japan Telephone: 81-266-52-3131 http://www.epson.com/	
Importer: EPSON EUROPE B.V. Address: Atlas Arena, Asia Building, Hoogoorddreef 5, 1101 BA Amsterdam Zuidooost The Netherlands Telephone: 31-20-314-5000 http://www.epson.eu/	

TC 關於本安裝說明書

本指南說明如何安裝 ELPHD02。請參閱「安裝說明書」，您可以使用右側的 QR 碼加以存取以取得詳細資訊。



安全使用本產品

警告	
請勿將 Control Pad 連接至不支援的投影機或其他裝置。否則可能會損壞裝置。	
隨附的電源線僅供 ELPHD02 使用。切勿搭配其他裝置使用。請勿拆解或改造本產品。	

項目	規格
Control Pad 重量	約 0.6 公斤
電源 (AC 變壓器)	100 至 240 V AC +/- 10%、50/60 Hz
電源	12 VDC 2.5 A 30W
使用時的耗電量	4.5 W
操作溫度範圍	0 至 40 ° C (無結露)
操作海拔	0 至 3,048 m

製造商	: SEIKO EPSON CORPORATION
地址	: 3-5, Owa 3-chome, Suwa-shi, Nagano-ken 392-8502 Japan
電話	: 81-266-52-3131
進口商	: 台灣愛普生科技股份有限公司
地址	: 台北市信義區松仁路 100 號 15 樓
電話	: (02)8786-6688

「限用物質含有情況」標示內容，請至下列網址查詢。
http://www.epson.com.tw/TW_RoHS

KO 이 설치 설명서에 대한 소개

이 가이드에서는 ELPHD02를 설치하는 방법에 대해 설명합니다. 자세한 내용은 오른쪽 QR 코드를 통해 액세스할 수 있는 "설치 가이드"를 참조하십시오.



제품을 안전하게 사용하는 방법

경고	
컨트롤 패드를 지원되지 않는 프로젝터 또는 다른 장치에 연결하지 마십시오. 그럴 경우 장치가 손상될 수 있습니다.	
제공된 전원 케이블은 ELPHD02 전용입니다. 이 케이블을 다른 장치와 사용하지 마십시오.	
제품을 분해하거나 개조하지 마십시오.	

품목	사양
컨트롤 패드 질량	약 0.6 kg
전원 (AC 어댑터)	100 - 240 V AC +/- 10%, 50/60 Hz
전원	12 VDC 2.5 A 30 W
사용 중 전기 소비량	4.5 W
작동 온도	0 ~ 40 ° C (응축 없음)
작동 고도	0 ~ 3,048 m

JA 本書について

本書はコントロールパッド ELPHD02の取り付け方法について説明しています。詳しい取り付け方法については、右記に掲載の「設置工事説明書」をご覧ください。



安全にお使いいただくために

警告	
コントロールパッドを指定以外のプロジェクターや他の機器に接続しないでください。機器が故障する可能性があります。	
同梱の電源ケーブルは ELPHD02 専用です。他の機器には使用しないでください。	
コントロールパッドの分解・改造は絶対にしないでください。	

項目	仕様
コントロールパッド質量	約 0.6kg
電源 (AC アダプター)	100-240 V AC +/- 10%, 50/60 Hz
電源	12VDC 2.5A 30W
動作時消費電力	4.5W
動作温度範囲	0 ~ 40 °C (結露しないこと)
動作高度	0 ~ 3,048m

Supplier's DECLARATION of CONFORMITY	
According to 47CFR, Part 2 and 15 Class B Personal Computers and Peripherals; and/or CPU Boards and Power Supplies used with Class B Personal Computers	

We: Epson America, Inc.
 Located at: 3840 Kilroy Airport Way
 Long Beach, CA 90806
 Tel: 562-981-3840

Declare under sole responsibility that the product identified herein, complies with 47CFR Part 2 and 15 of the FCC rules as a Class B digital device. Each product marketed, is identical to the representative unit tested and found to be compliant with the standards. Records maintained continue to reflect the equipment being produced can be expected to be within the variation accepted, due to quantity production and testing on a statistical basis as required by 47CFR 2.906. Operation is subject to the following two conditions: (1) this device may not cause harmful interference, and (2) this device must accept any interference received, including interference that may cause undesired operation.

Trade Name: EPSON
 Type of Product: HDBASET CONTROL BOX
 Model: EAI destination: ELPHD02
 Other destination: ---

FCC Compliance Statement For United States Users

This device complies with part 15 of the FCC Rules. Operation is subject to the following two conditions: (1) This device may not cause harmful interference, and (2) this device must accept any interference received, including interference that may cause undesired operation. This equipment has been tested and found to comply with the limits for a Class B digital device, pursuant to Part 15 of the FCC Rules. These limits are designed to provide reasonable protection against harmful interference in a residential installation. This equipment generates, uses, and can radiate radio frequency energy and, if not installed and used in accordance with the instructions, may cause interference to radio communications. However, there is no guarantee that interference will not occur in a particular installation. If this equipment does cause interference to radio and television reception, which can be determined by turning the equipment off and on, the user is encouraged to try to correct the interference by one or more of the following measures.

- Reorient or relocate the receiving antenna.
- Increase the separation between the equipment and receiver.
- Connect the equipment into an outlet on a circuit different from that to which the receiver is connected.
- Consult the dealer or an experienced radio/TV technician for help.

WARNING
 The connection of a non-shielded equipment interface cable to this equipment will invalidate the FCC Certification or Declaration of this device and may cause interference levels which exceed the limits established by the FCC for this equipment. It is the responsibility of the user to obtain and use a shielded equipment interface cable with this device. If this equipment has more than one interface connector, do not leave cables connected to unused interfaces. Changes or modifications not expressly approved by the manufacturer could void the user's authority to operate the equipment.