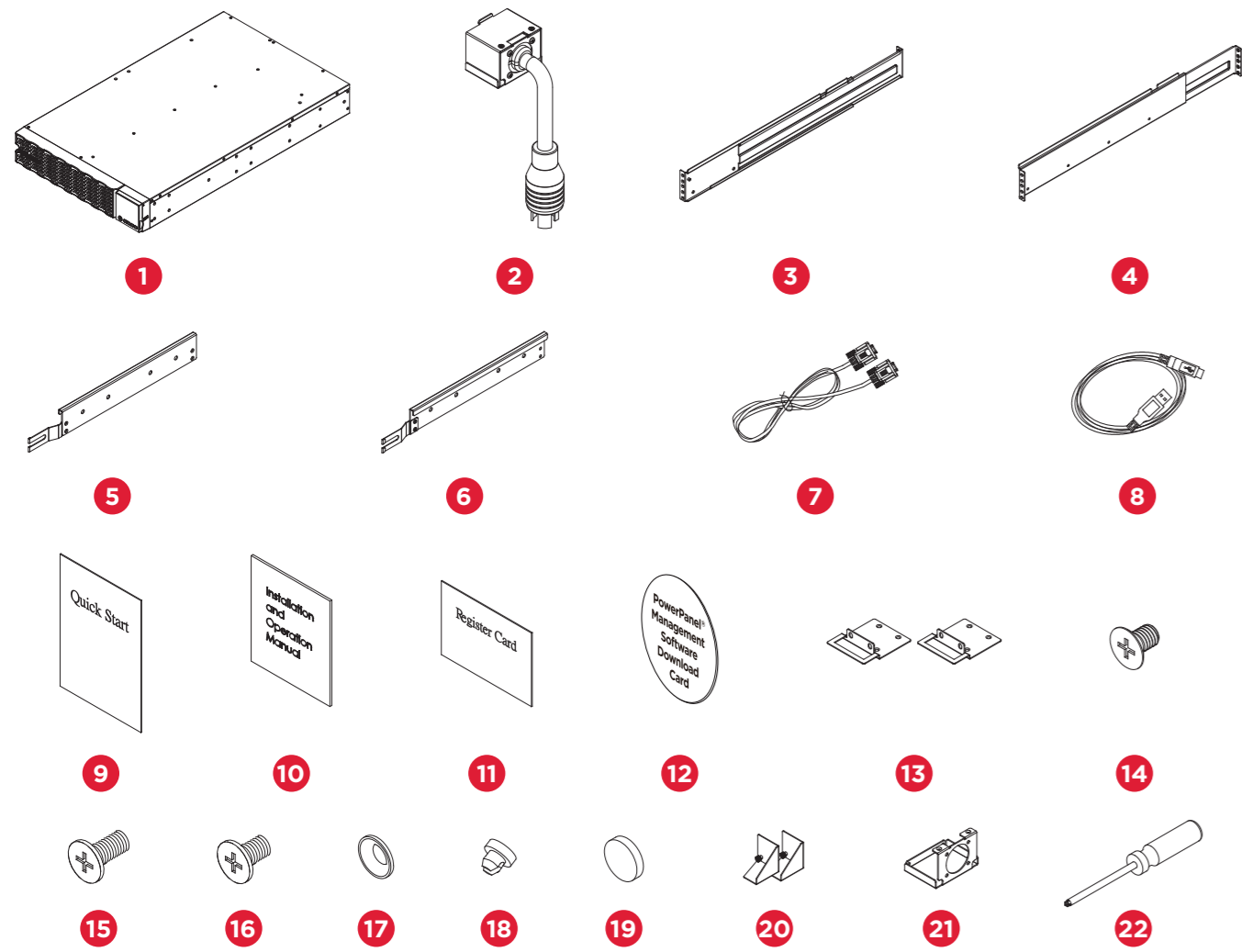


## OL5KRTHD/OL6KRTHD QUICK START GUIDE

### UNPACKING



ITEM	CONTENT	QTY	ITEM	CONTENT	QTY
1	UPS	1	12	PowerPanel Management Software Download Card	1
2	Input terminal block cover & NEMA L6-30P power cord	1	13	Rackmount ears	2
3	Rackmount left rail	1	14	Flat head screws M5X7L	8
4	Rackmount right rail	1	15	Pan head screws M5X8L	12
5	Left hanging bracket	1	16	Pan head screws M5X6L	6
6	Right hanging bracket	1	17	Plastic washers	8
7	Serial Interface Cable (RS-232)	1	18	Screw hole dust covers	18
8	USB communication cable	1	19	Rubber pads	12
9	Quick Start Guide	1	20	Stand	2
10	Installation and Operation Manual	1	21	Input bottom cover	1
11	Registration warranty card	1	22	Screwdriver	1

Need Additional Help? See Operation and Installation Manual provided and also available to download at [www.cyberpowersystems.com](http://www.cyberpowersystems.com).  
Still Need Help? Please contact our Tech Support department with installation, troubleshooting, or general product questions.

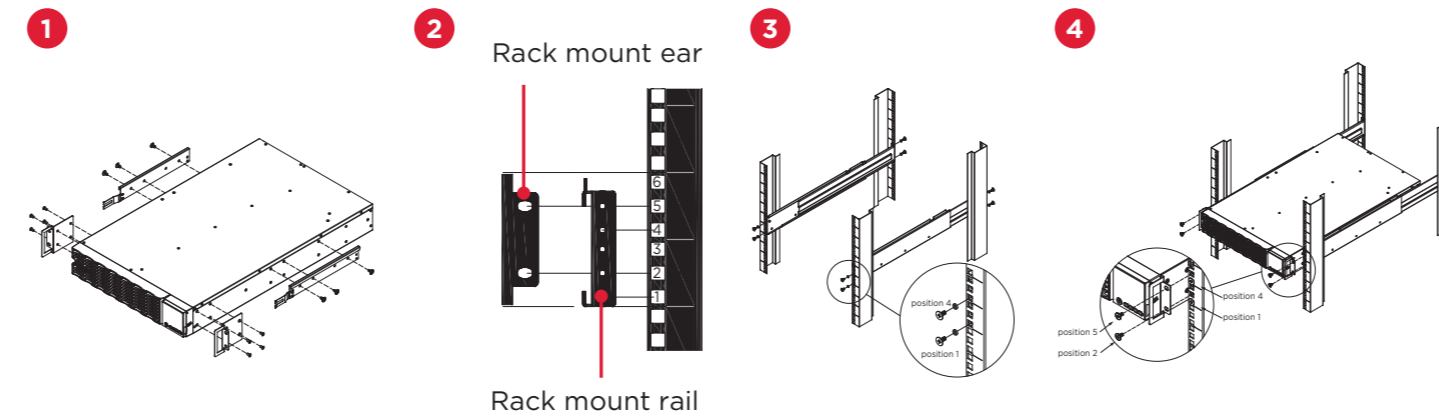
CyberPower Technical Support | 1-877-297-6937 | [tech@cpsww.com](mailto:tech@cpsww.com) | [cyberpowersystems.com](http://cyberpowersystems.com)  
4241 12th Avenue E, Suite 400, Shakopee, MN 55379, USA  
Hours of Operation: Monday - Friday, 7:00am - 6:00pm (CST)

This document is believed to be accurate, but CyberPower reserves the right to change or correct the contents and does not assume any responsibility for omissions or errors. Entire contents copyright © 2019 Cyber Power Systems, Inc. All rights reserved. Reproduction in whole or in part without permission is prohibited.

K01-0000677-02

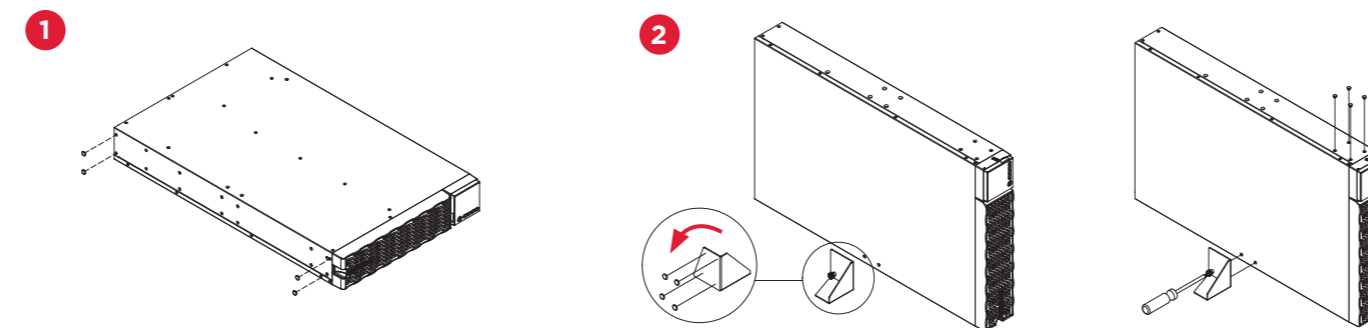
### RACKMOUNT INSTALLATION

1. Install rack mount ears using eight M5X7L flat head screws and hanging brackets using six M5X6L pan head screws.
2. Locate space where the UPS will be installed in the rack.
3. Install rack mount rails using eight M5X8L pan head screws with plastic washers and adjust rails to necessary rack depth.
4. Place and secure the UPS on to the rack mount rails using four M5X8L pan head screws.



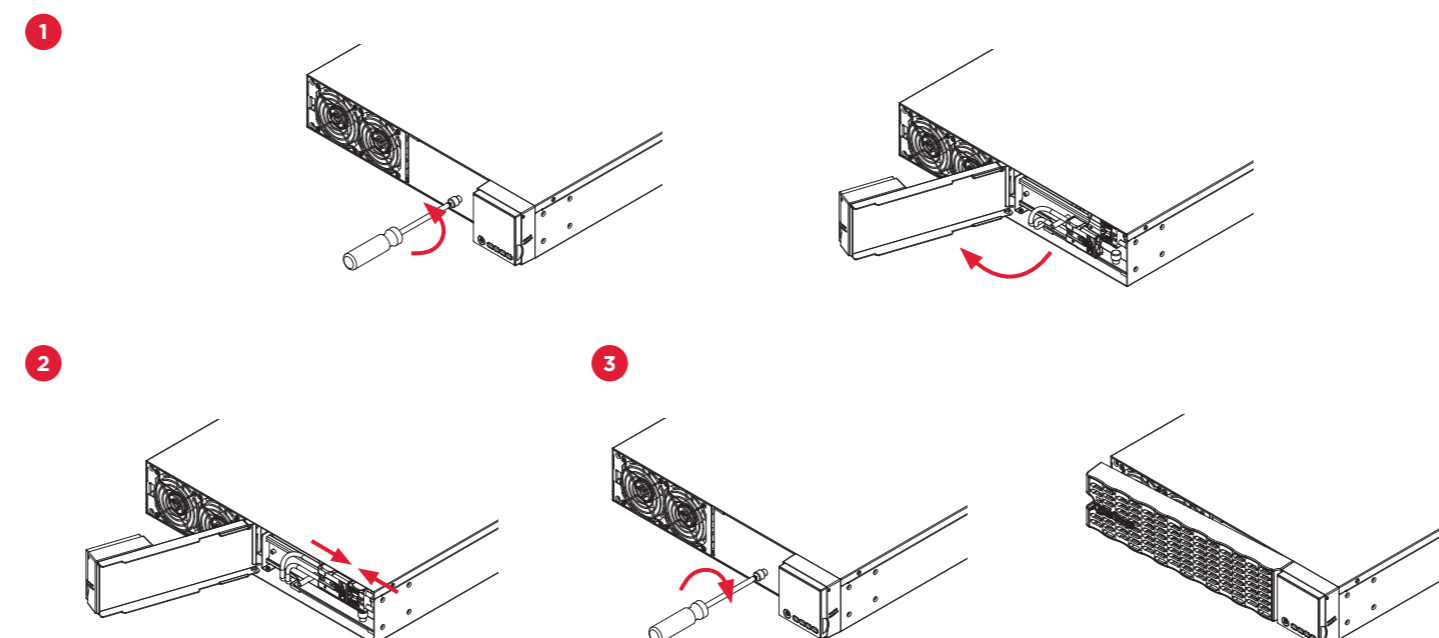
### TOWER INSTALLATION

1. Adhere twelve circular rubber pads to the stands and to the left hand side of the UPS as shown below. This will become the bottom of the UPS.
2. Stand the UPS system on its side and tighten the screws on the tower stands onto the bottom of the UPS as shown below. Insert the dust covers into the open screw holes on top.



### CONNECTING INTERNAL BATTERY

1. Unscrew and open the battery access door. This screw is designed to be fixed on the door, do not remove it from the metal cover.
2. Connect the internal battery connector. Ensure it is seated properly (connector will click into place).
3. Tighten the screw of battery access cover and install the front panel.

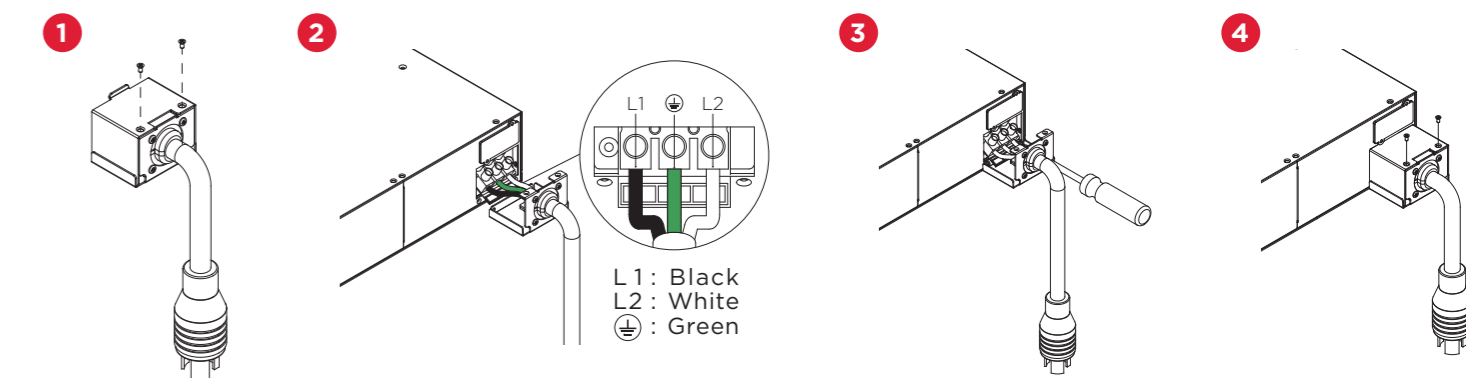


### UPS INPUT ELECTRICAL CONNECTION

**OL5KRTHD and OL6KRTHD OPTIONAL L6-30P POWER CORD CONNECTION :** Please see the instructions as shown below.

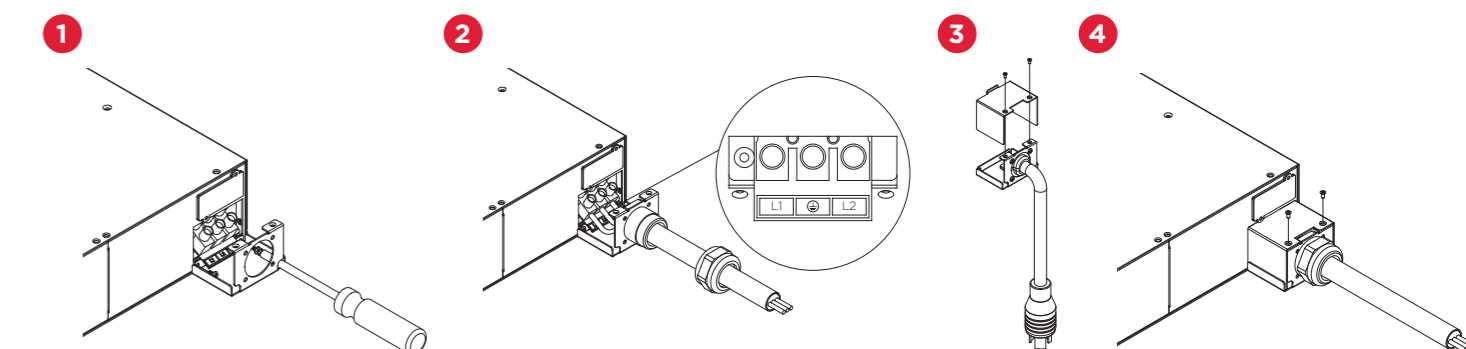
1. Separate the top and bottom covers by loosening two screws to separate the top and bottom covers.
2. Connect the three wires to the input terminal block.
3. Fix the bottom cover on the rear panel by tightening the two screws.
4. Fix the top cover on the rear panel by tightening the two screws.
5. Setup "With Power Code" via LCD and follow the step "Main Menu" → "Set Up" → "With Power Cord" → "Enable" to set.

**IMPORTANT!** The UPS will be derated base on input voltage.



**OL5KRTHD and OL6KRTHD ELECTRICAL CONNECTION :** Please see the instructions as shown below.

1. Fix the input bottom cover on the rear panel by tightening the two screws.
2. Insert the input cable through the appropriate cable gland (not included). Connect the three wires to the input terminal block.
3. Separate the top cover from the unused input power cord by loosening the two screws.
4. Fix the top cover on the bottom cover by tightening two screws.



**IMPORTANT!** Make sure the utility circuit breaker feeding the UPS input is in the OFF position  
**IMPORTANT!** Verify the input branch circuit breaker and wiring meet the recommended sizing:

UPS CAPACITY	BRANCH CIRCUIT BREAKER	WIRING AWG	WIRING mm <sup>2</sup>	SCREW TORQUE lbf-in
5KVA	50A	8 AWG	8.0 mm <sup>2</sup>	18 lbf-in
6KVA				

### POWER ON THE UPS SYSTEM

1. Switch the utility circuit breaker feeding the UPS to the ON position.
2. Turn the UPS ON - push and hold the ON/OFF power button for 3 seconds; you will hear continuous beeps.
3. UPS will perform a brief self-test lasting about 15 seconds then the UPS is operating in Battery Mode first then transfer to Line Mode if Input power is qualification and powering the output.
4. Customize UPS system configuration settings as needed. See User's Manual for complete details. User Manual is available to download on [www.cyberpowersystems.com](http://www.cyberpowersystems.com).
5. Connect equipment load to the UPS system.

