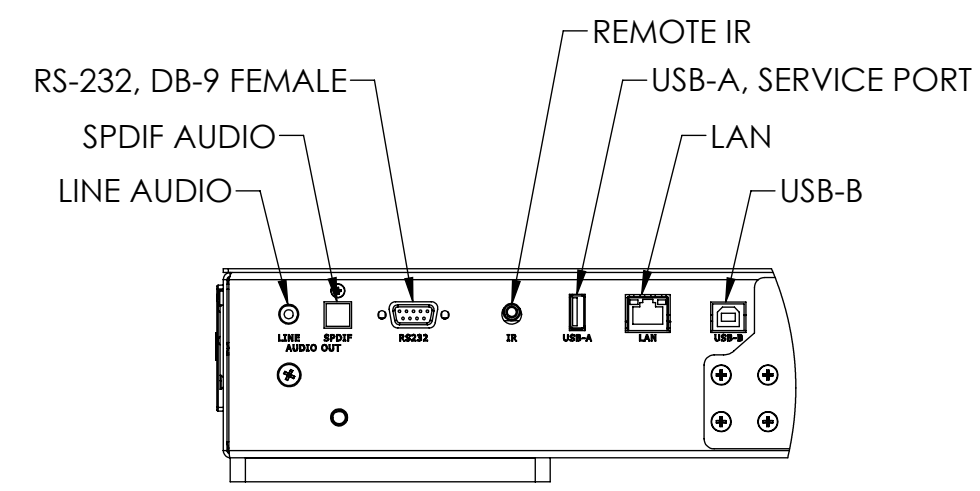
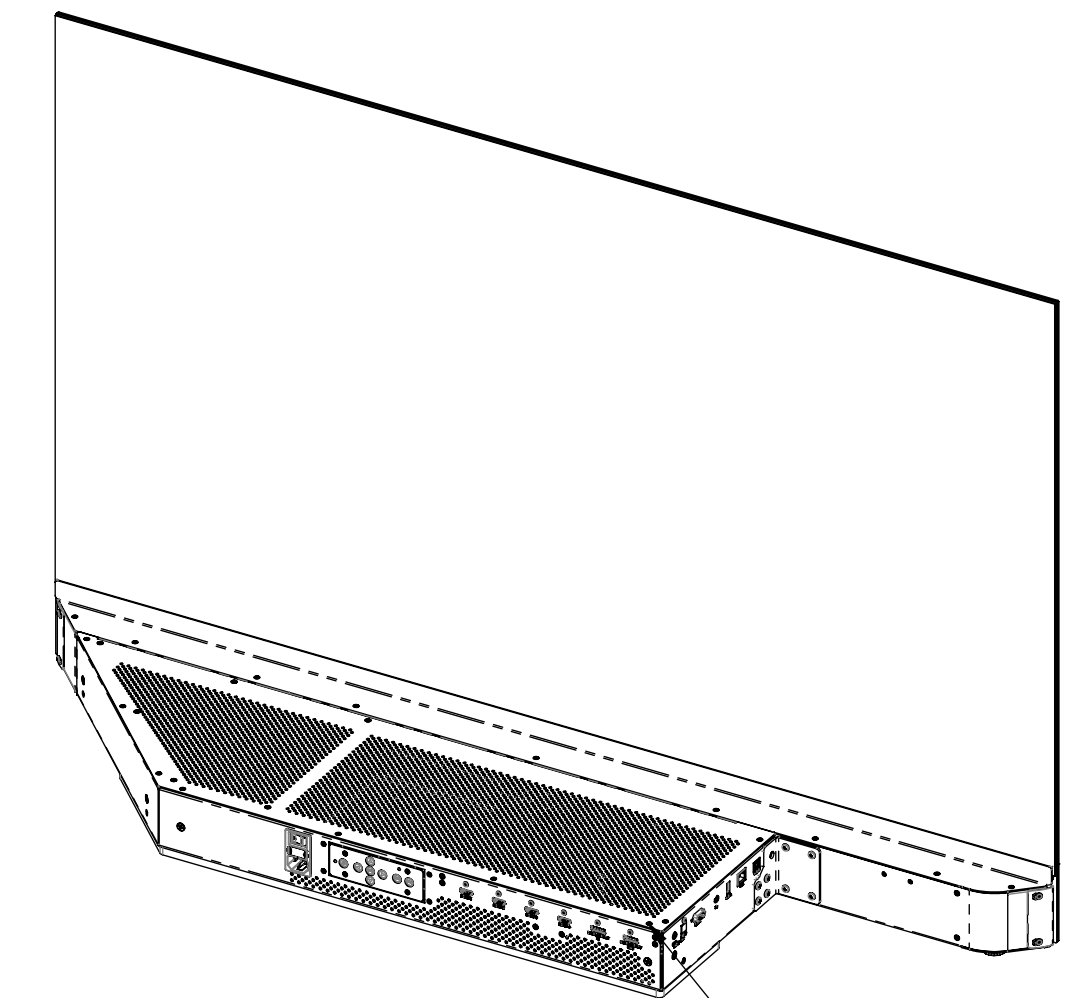
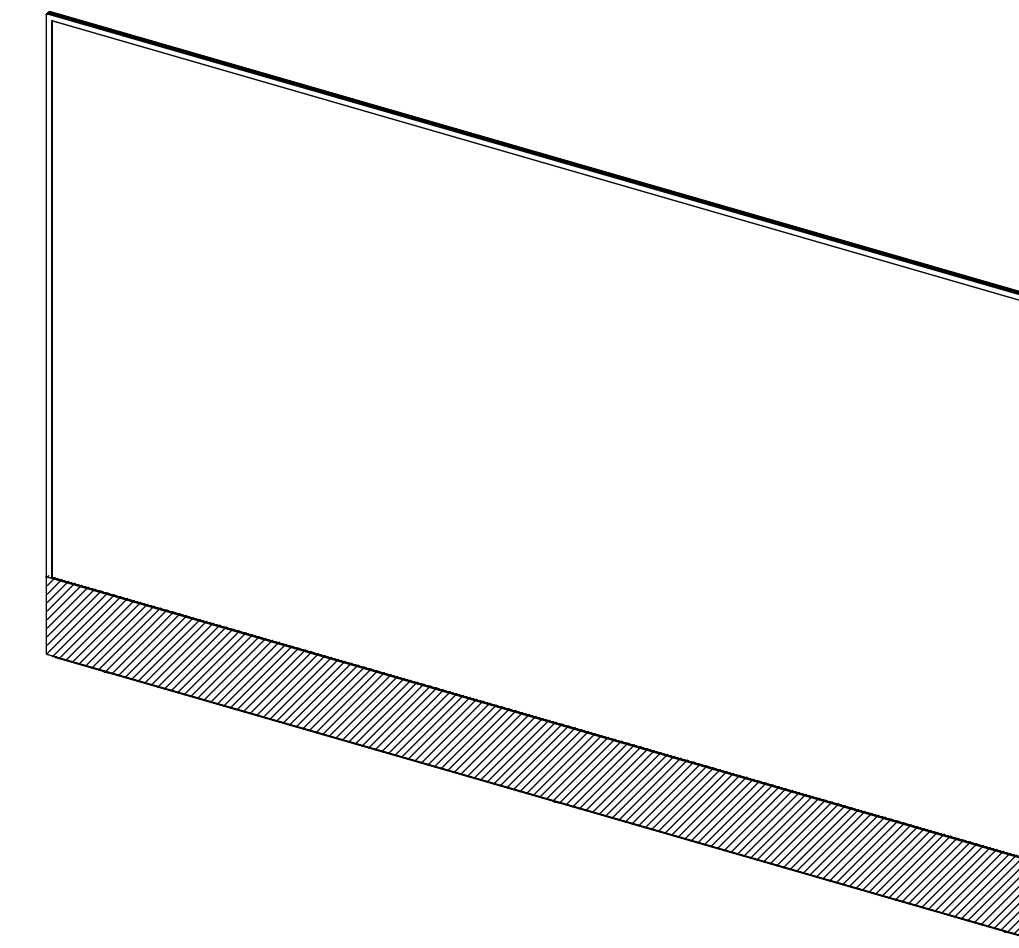
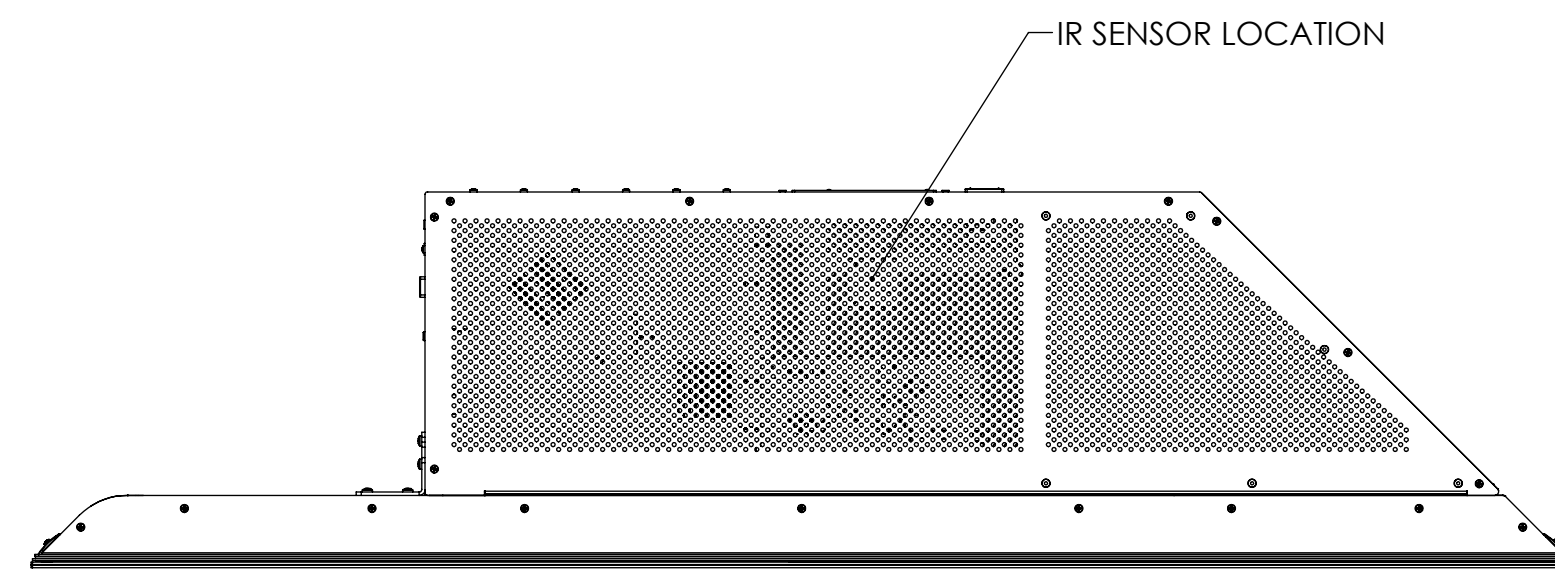


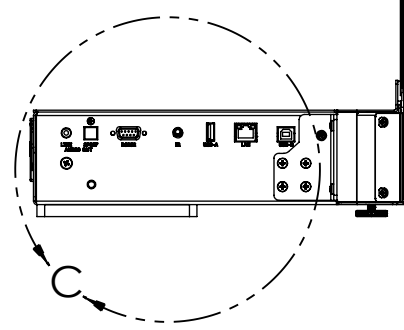
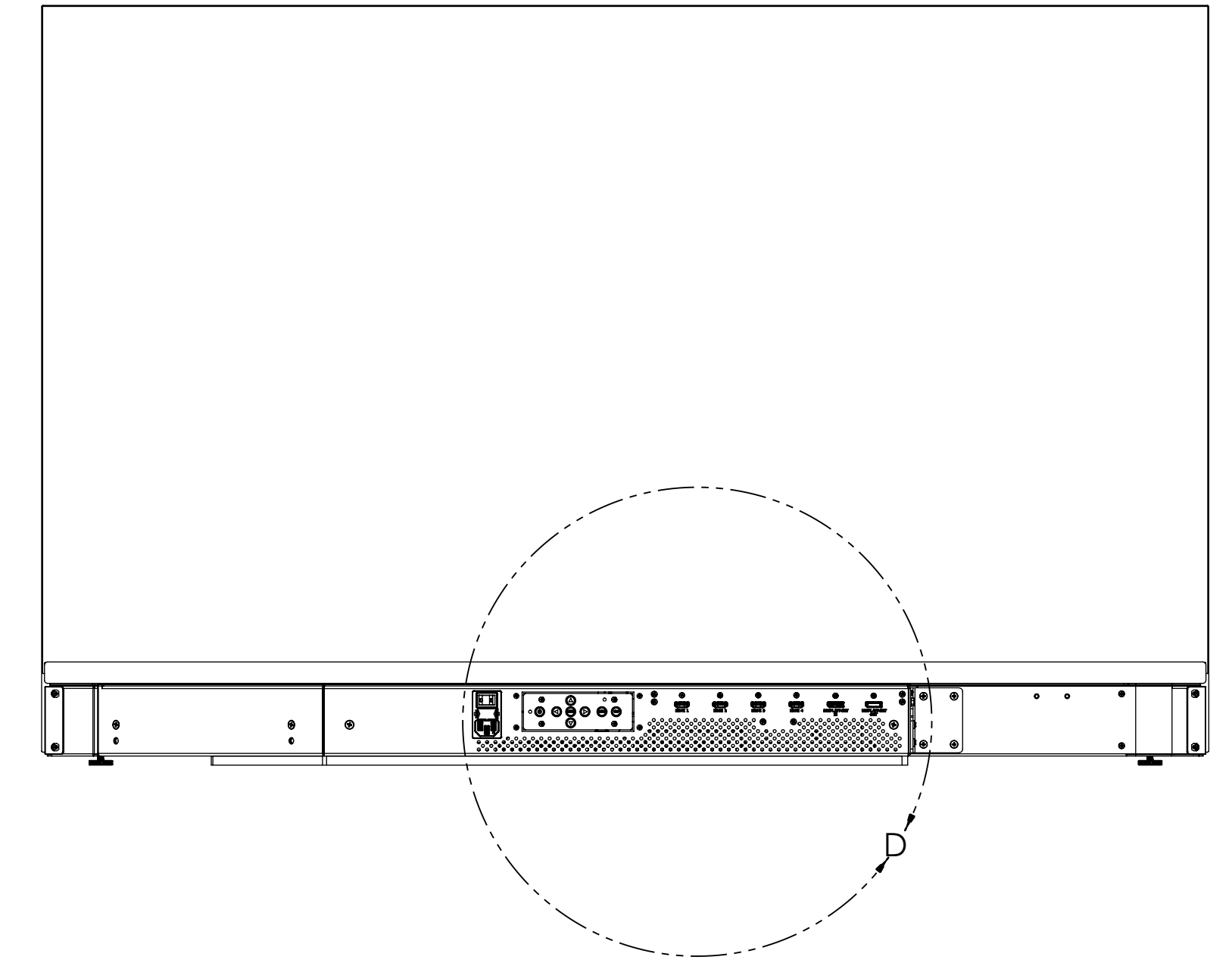
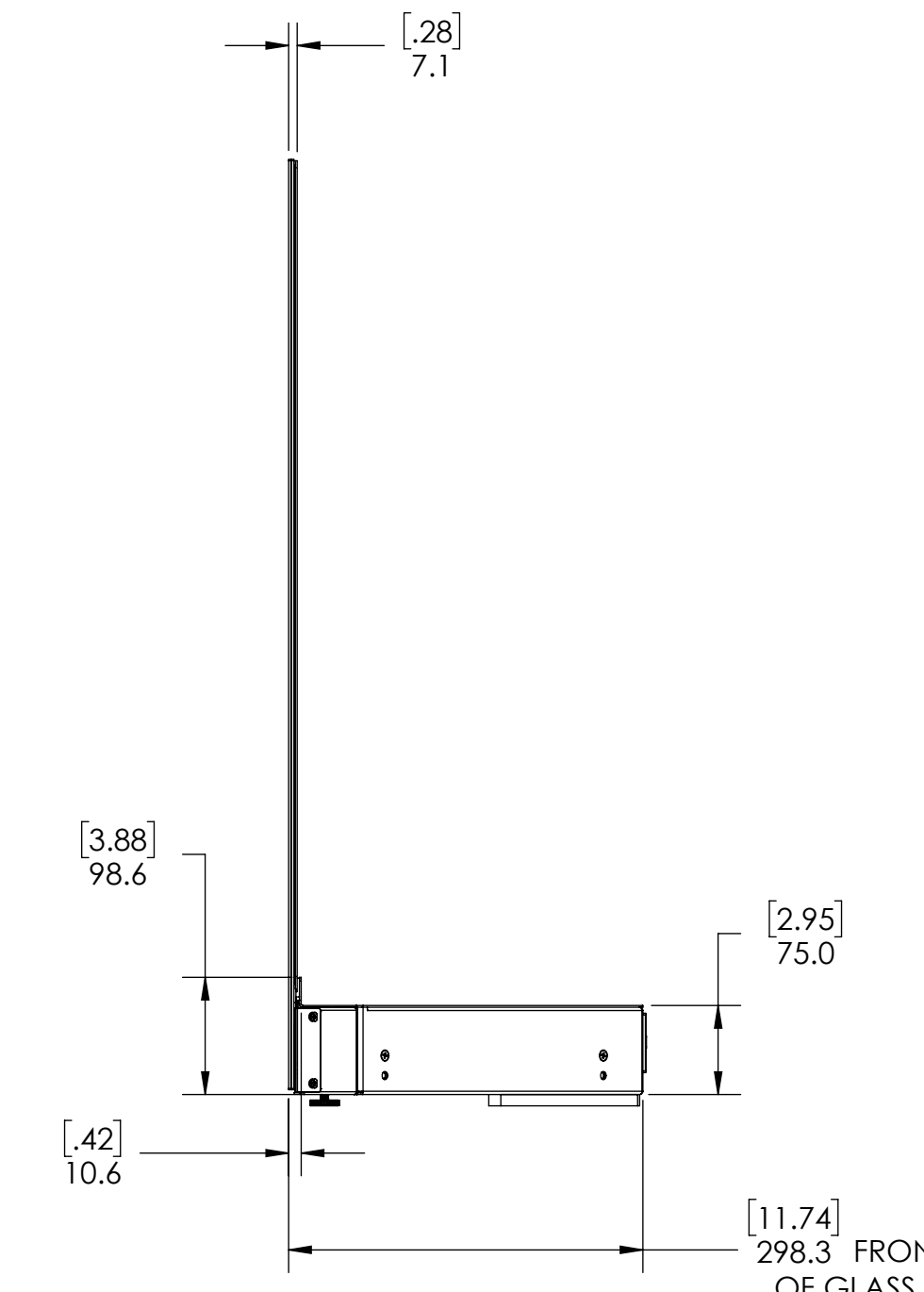
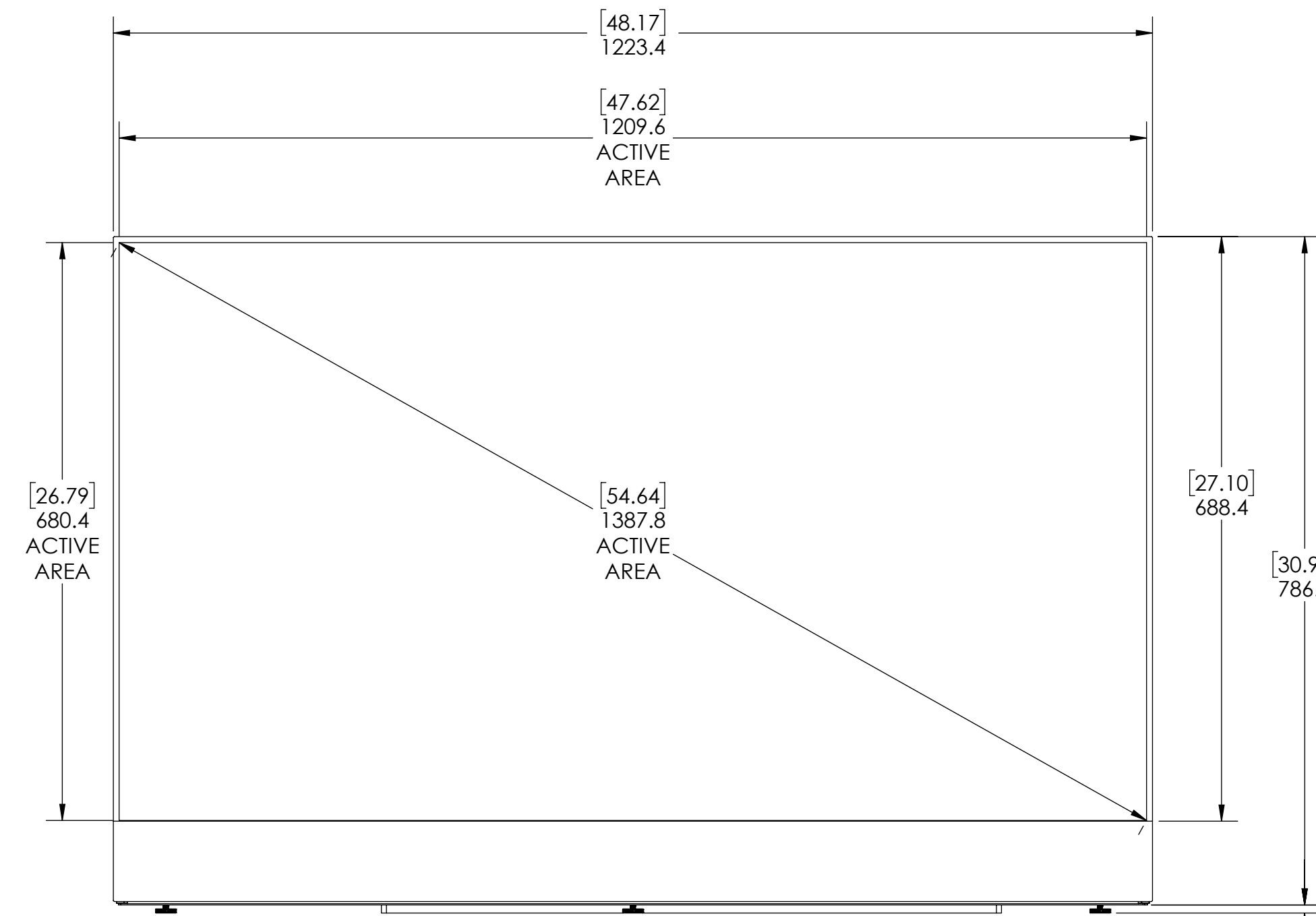
REVISION HISTORY					
ECO	ZONE	REV.	DESCRIPTION	DATE	APPR'D
		A	INITIAL DRAWING RELEASE	7/8/2019	NAB
		B	ADDED MAX THREAD DEPTH FOR FIXED INSTALLATION	7/30/2021	MRW



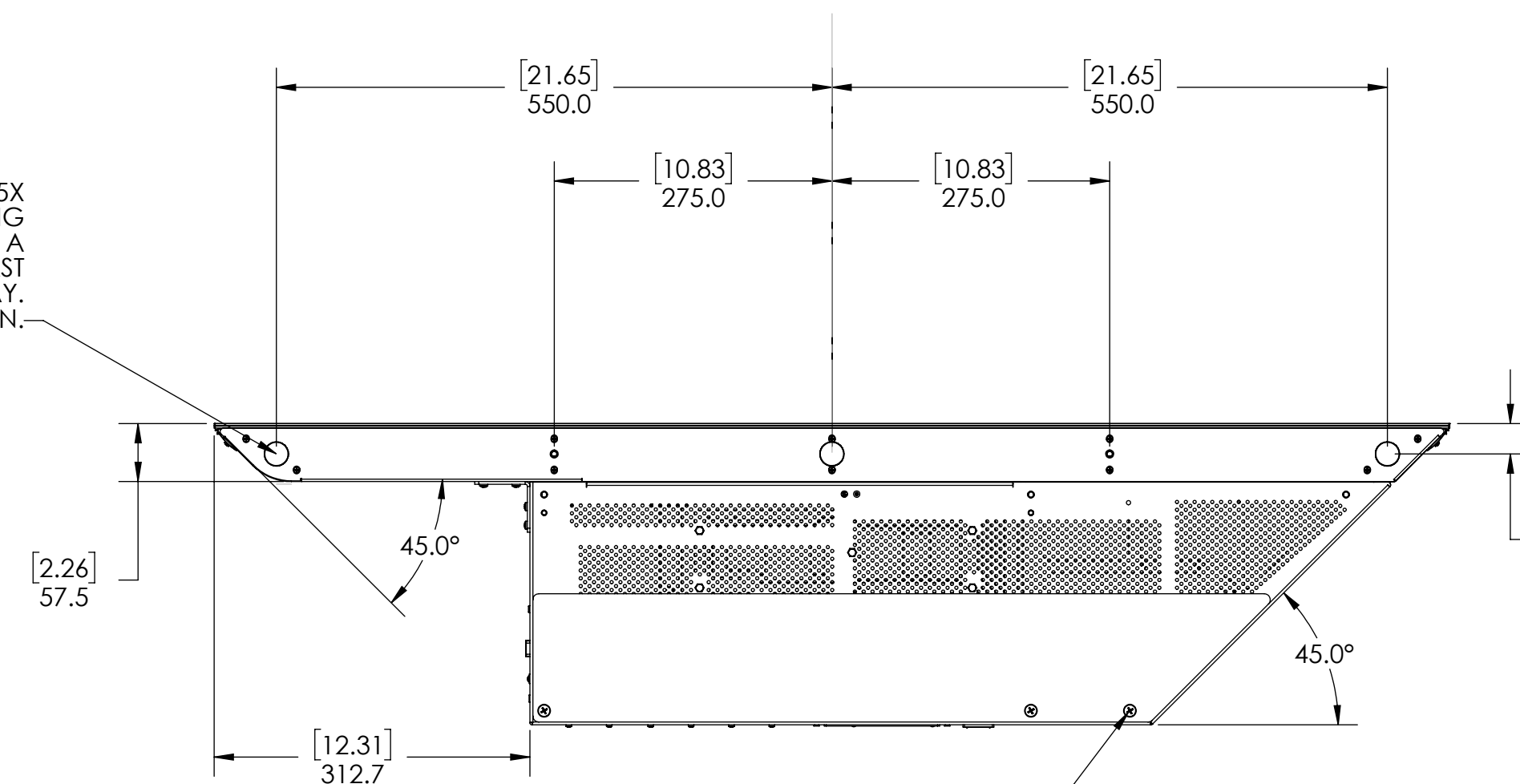
DETAIL C
SCALE 1 : 3



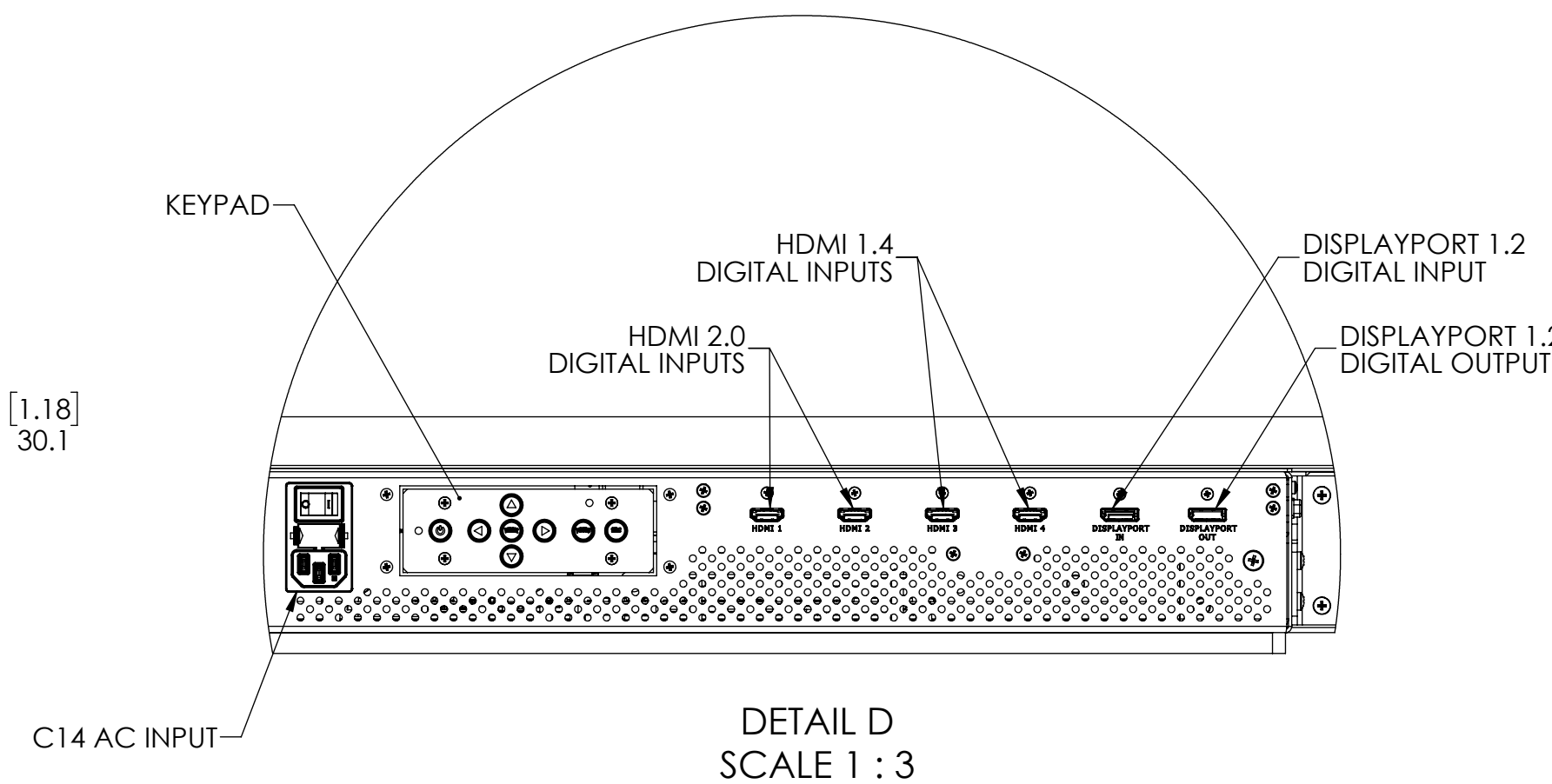
KEEP VENTED AREA CLEAR



REMOVE LEVELING FEET AND USE 5X M6 THREADED PRIMARY MOUNTING HOLES WHEN FASTENING TO A SURFACE OR FIXTURE. USE AT LEAST 3X FOR MOUNTING THE DISPLAY. 20mm MAX THREAD PENETRATION.



REMOVE BASE PLATE AND USE 3X M6 THREADED SECONDARY MOUNTING HOLES WHEN FASTENING TO A SURFACE OR FIXTURE. 20mm MAX THREAD PENETRATION.

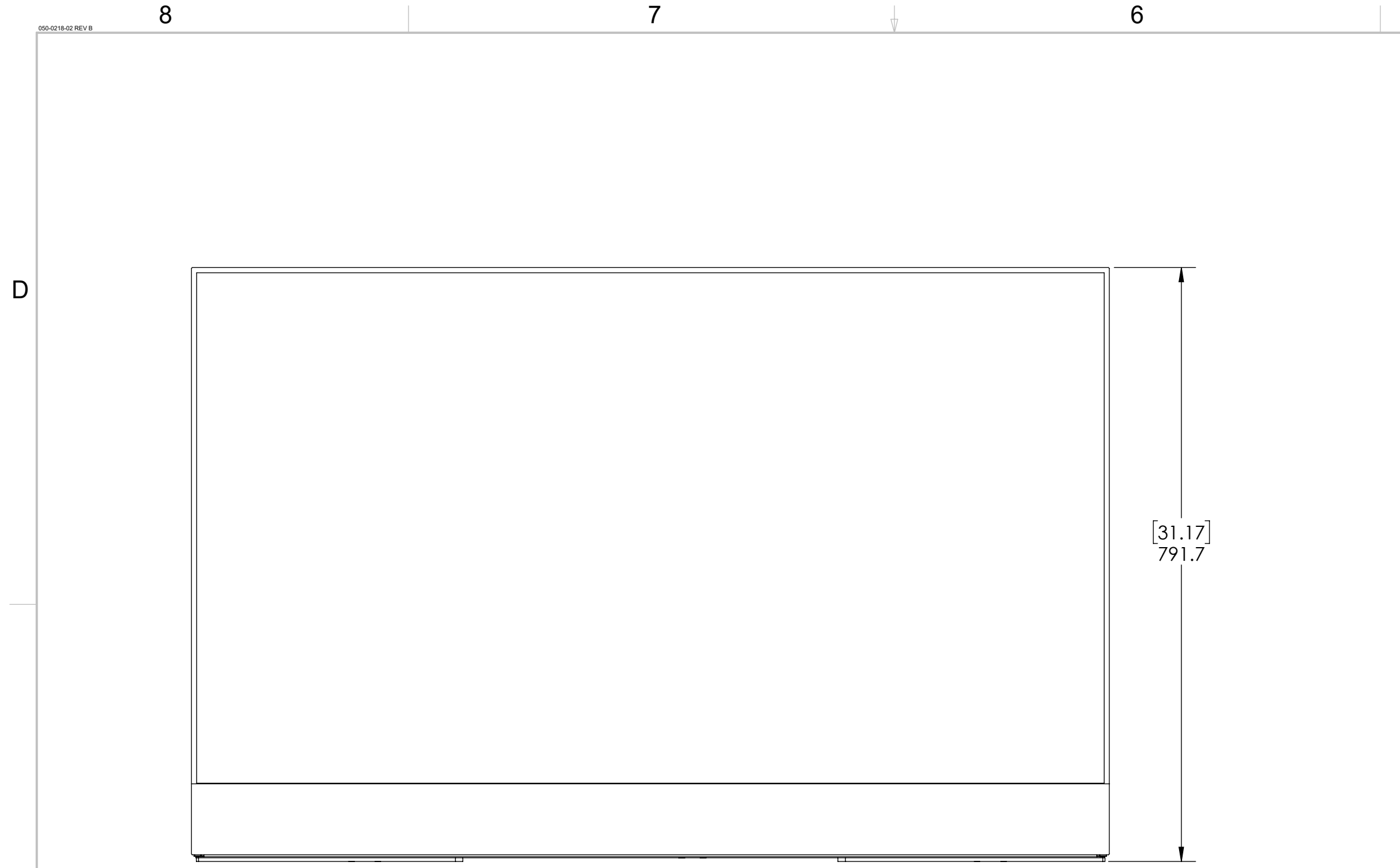


DETAIL D
SCALE 1 : 3

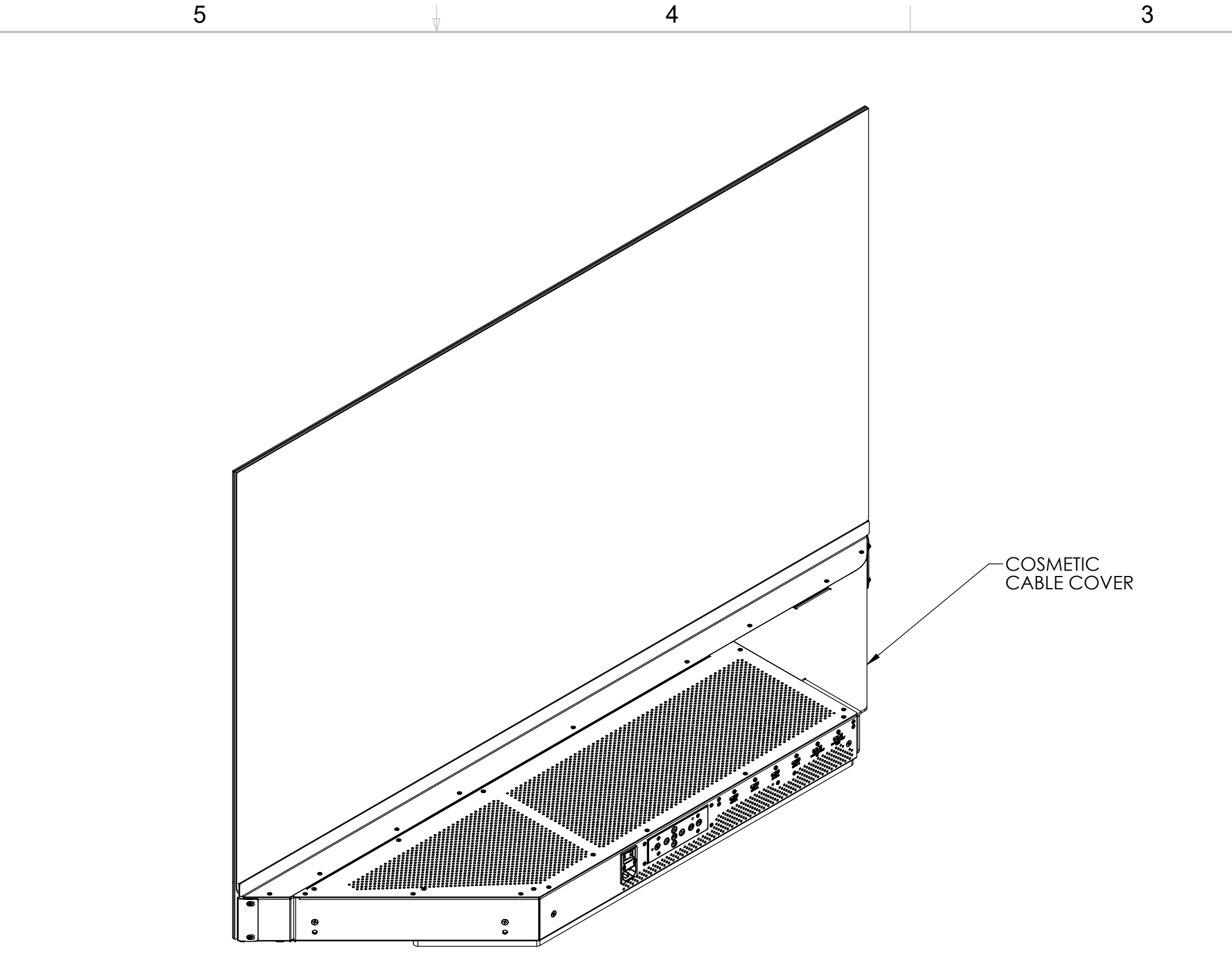
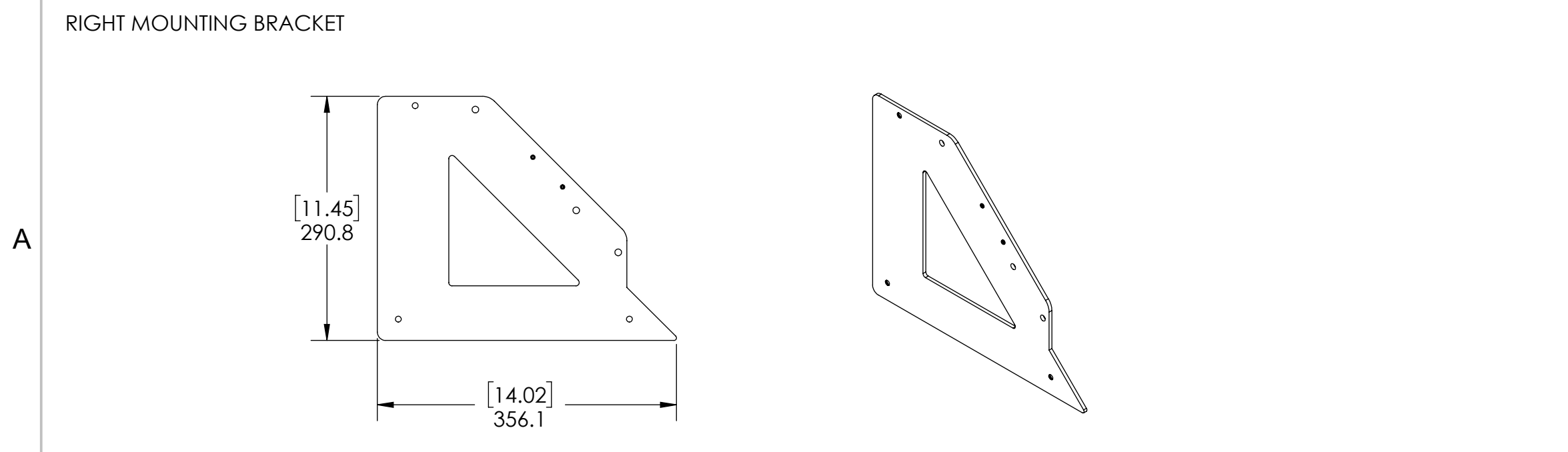
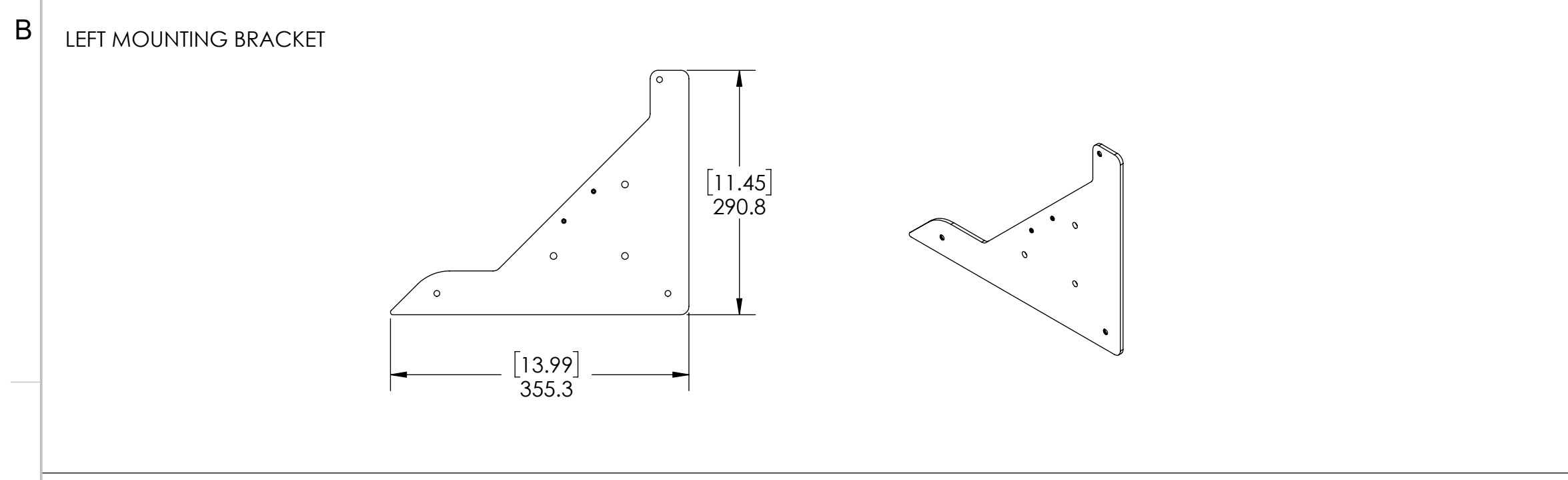
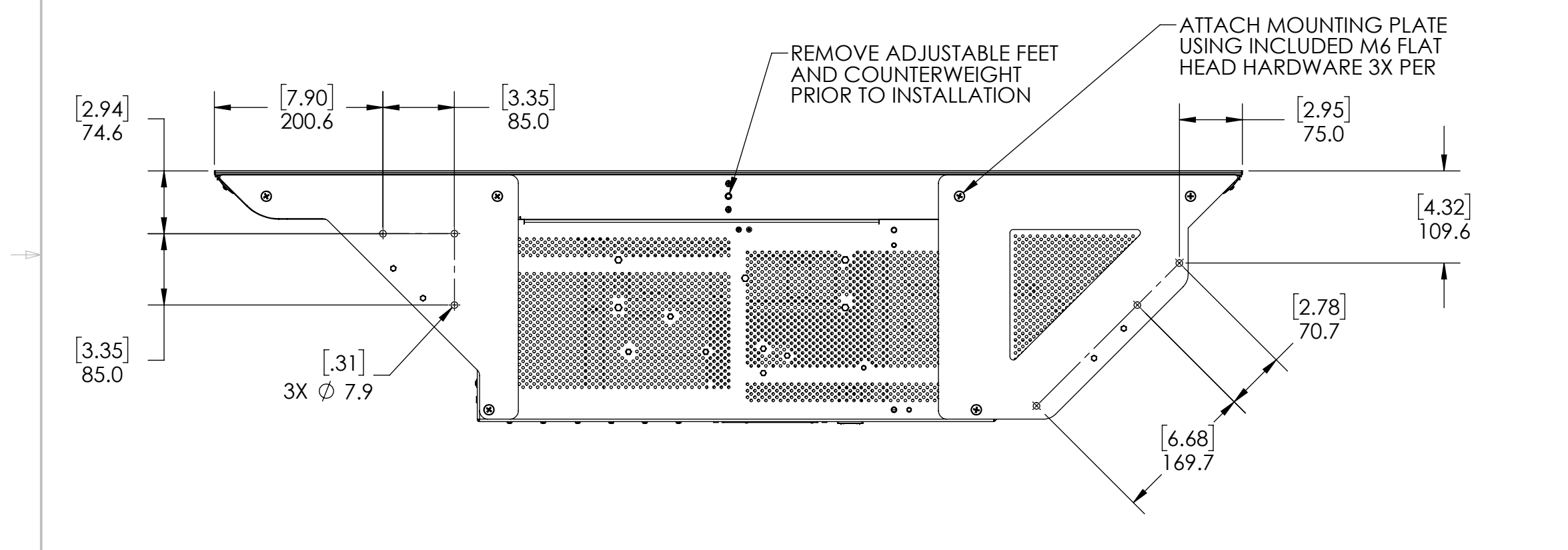
1. SPECIFICATIONS SUBJECT TO CHANGE WITHOUT NOTICE.
NOTES: UNLESS OTHERWISE SPECIFIED.

UNLESS OTHERWISE SPECIFIED: DIMENSIONS ARE IN MILLIMETERS (INCHES)		ENGR BY	PLANAR SYSTEMS, INC. 1195 NE COMPTON DRIVE HILLSBORO, OR 97006 USA
TOLERANCES:		DRAWN BY	NAB
X= ±1	XX= ±.25	CHECKED BY	01 Jul 19
.X= ±.5	∠= ±1°	USED ON	
DIMENSIONING AND TOLERANCING PER ASME Y14.5M-1994		MATERIAL	
THIRD ANGLE PROJECTION		FINISH	
TITLE		LO552, Standard	
SIZE	PART NO	DRAWING NO	REV
D	998-1483-00	LO552 Product Outline	B
SCALE	1:6	DO NOT SCALE	SHEET 1 OF 3

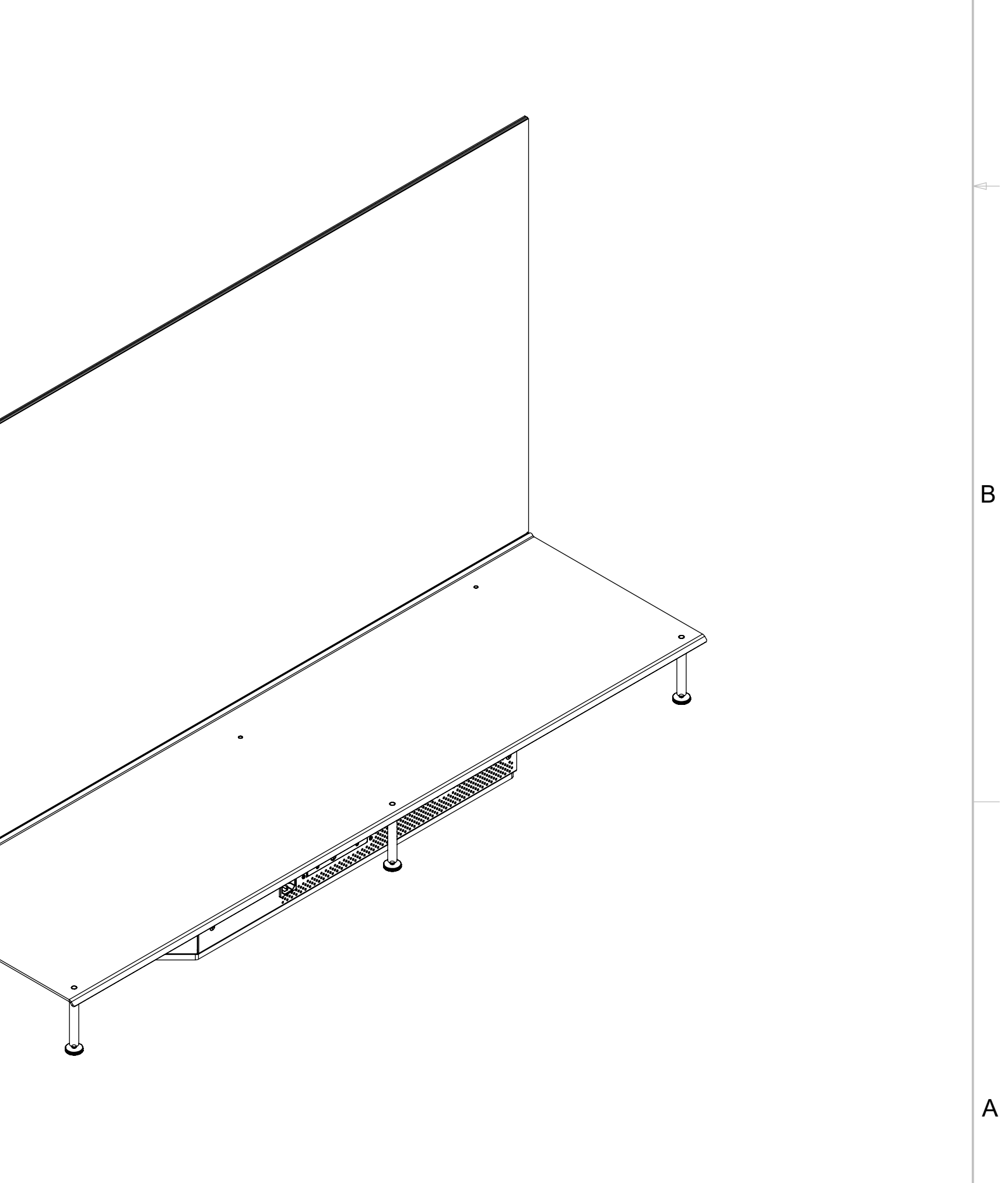
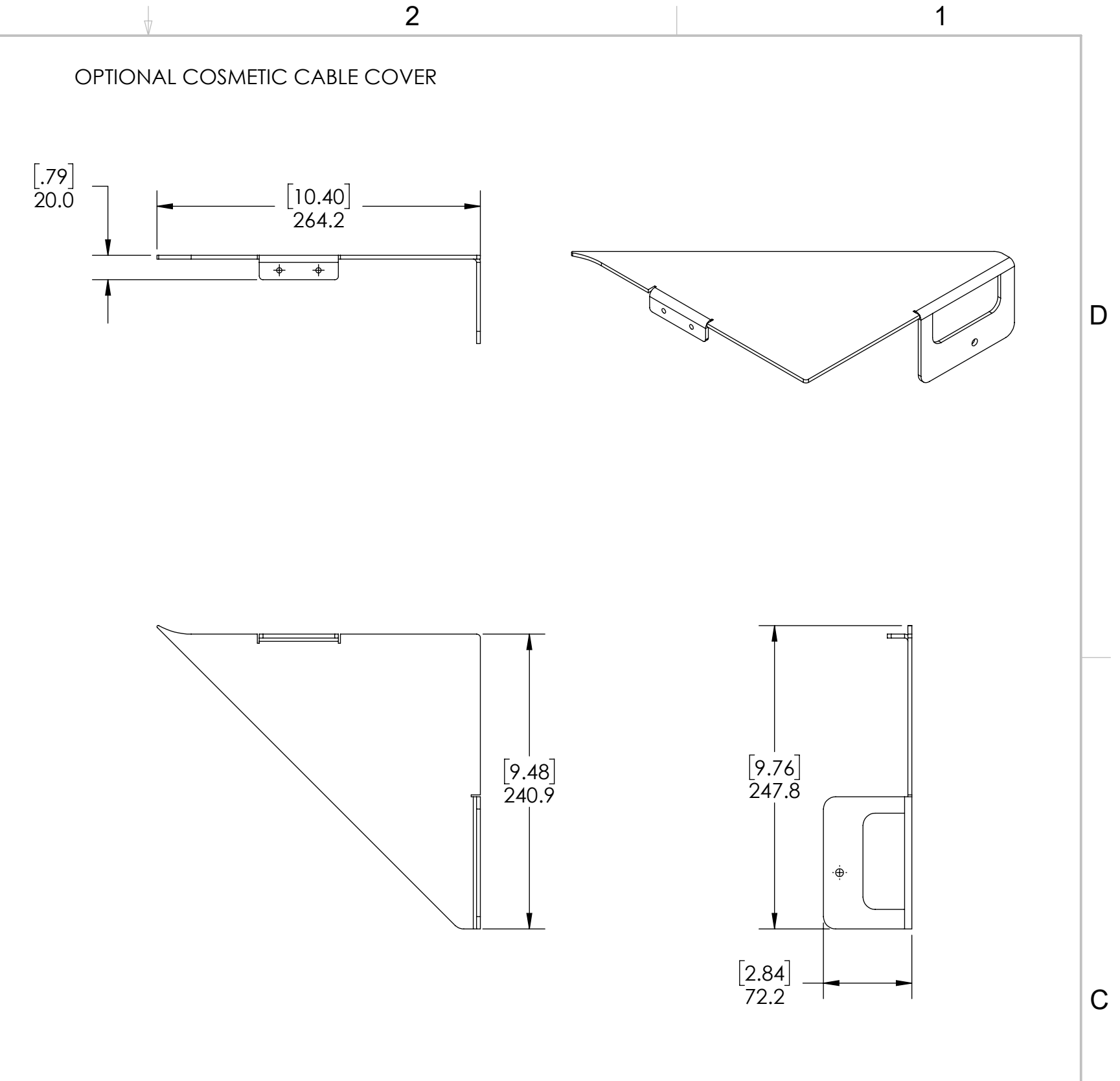
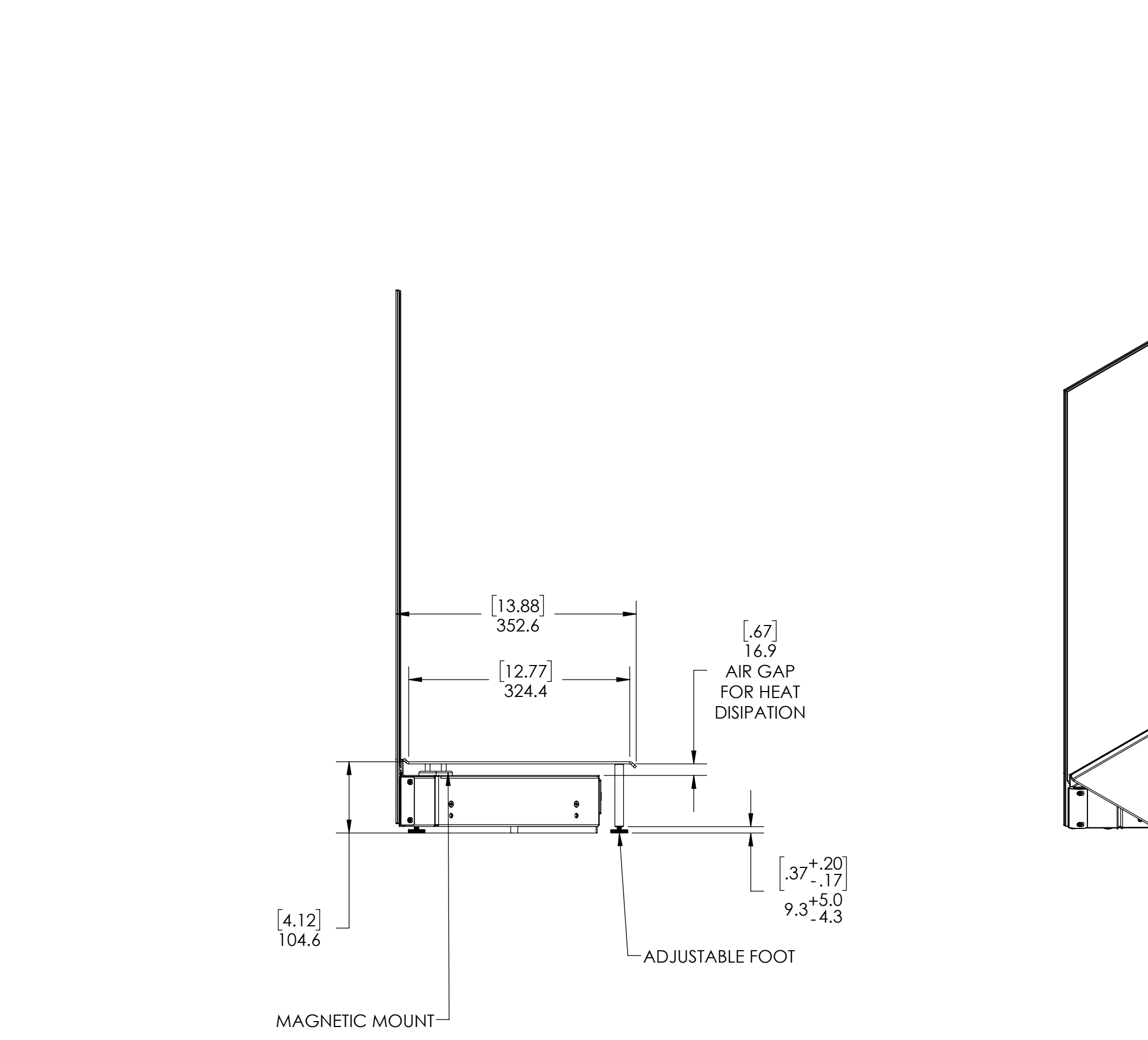
THIS DRAWING CONTAINS INFORMATION PROPRIETARY TO PLANAR SYSTEMS, INC. ANY REPRODUCTION IN PART OR WHOLE WITHOUT THE WRITTEN PERMISSION OF PLANAR SYSTEMS IS PROHIBITED. THIS DRAWING IS SUPPLIED FOR INFORMATION, IDENTIFICATION, ENGINEERING, EVALUATION, AND/OR INSPECTION PURPOSES ONLY AND MAY NOT BE USED AS BASIS FOR THE MANUFACTURING OF PRODUCTS OR THE FURNISHING OF SERVICES TO PLANAR SYSTEMS OR TO ANY THIRD PARTY UNLESS AUTHORIZED IN WRITING BY PLANAR SYSTEMS.



OPTIONAL MOUNTING BRACKETS

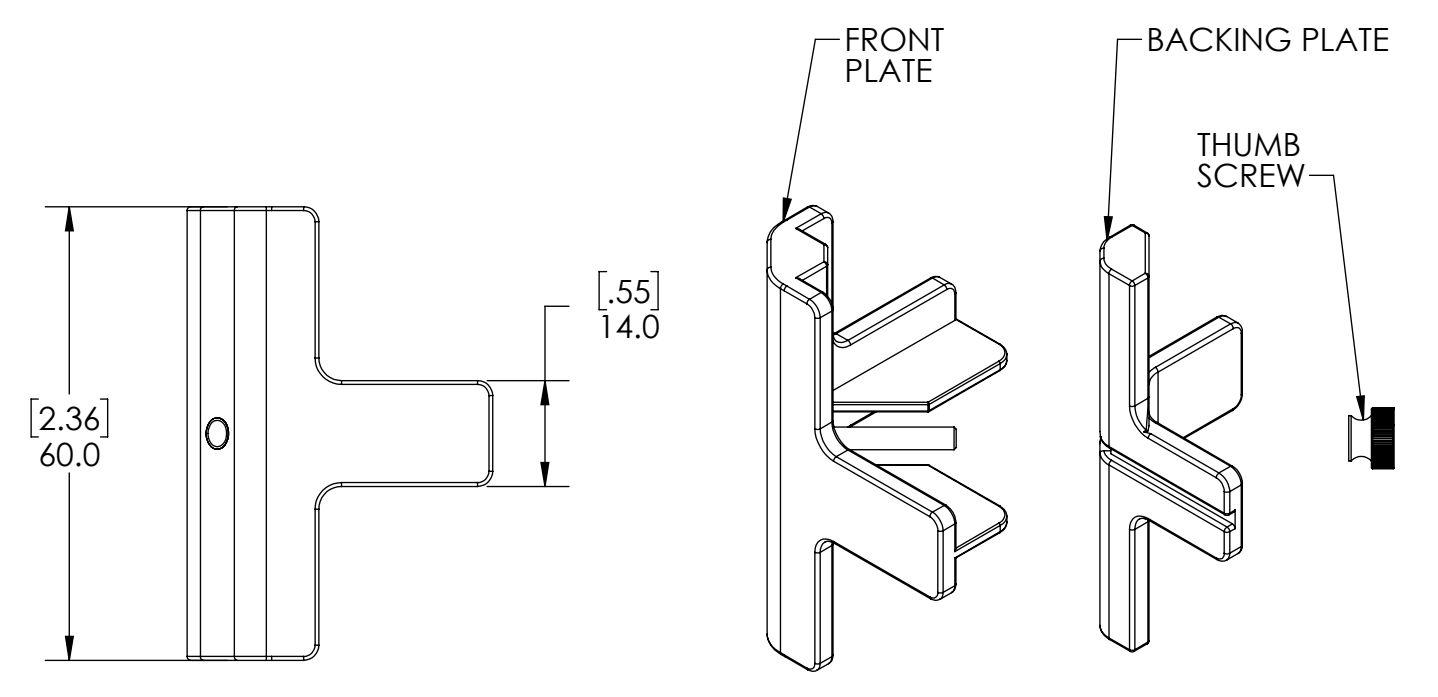
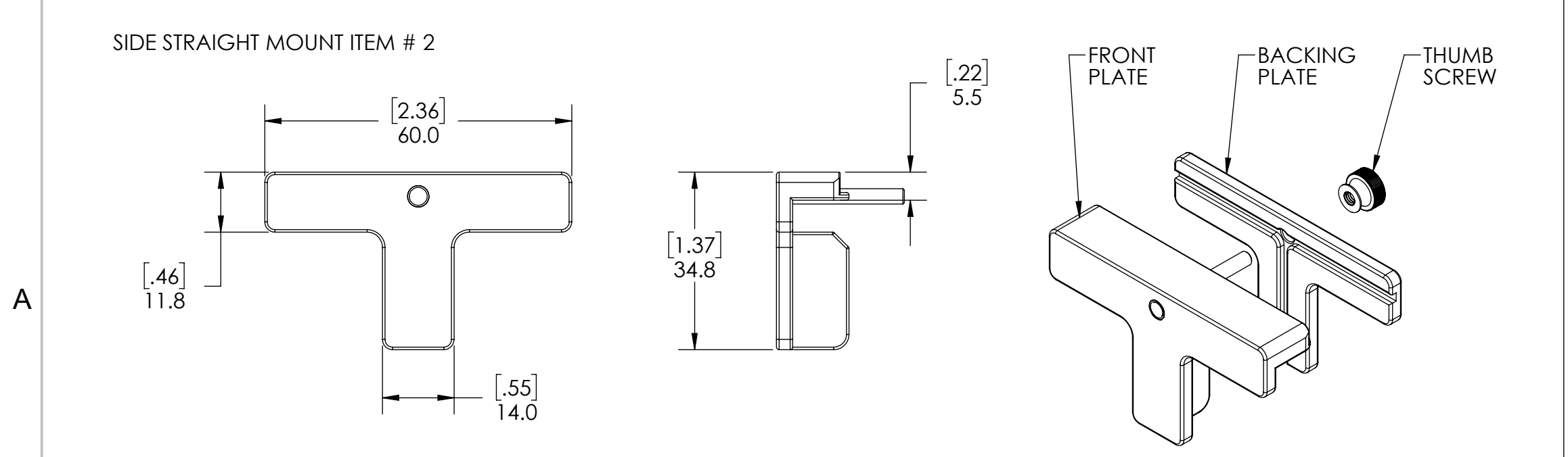
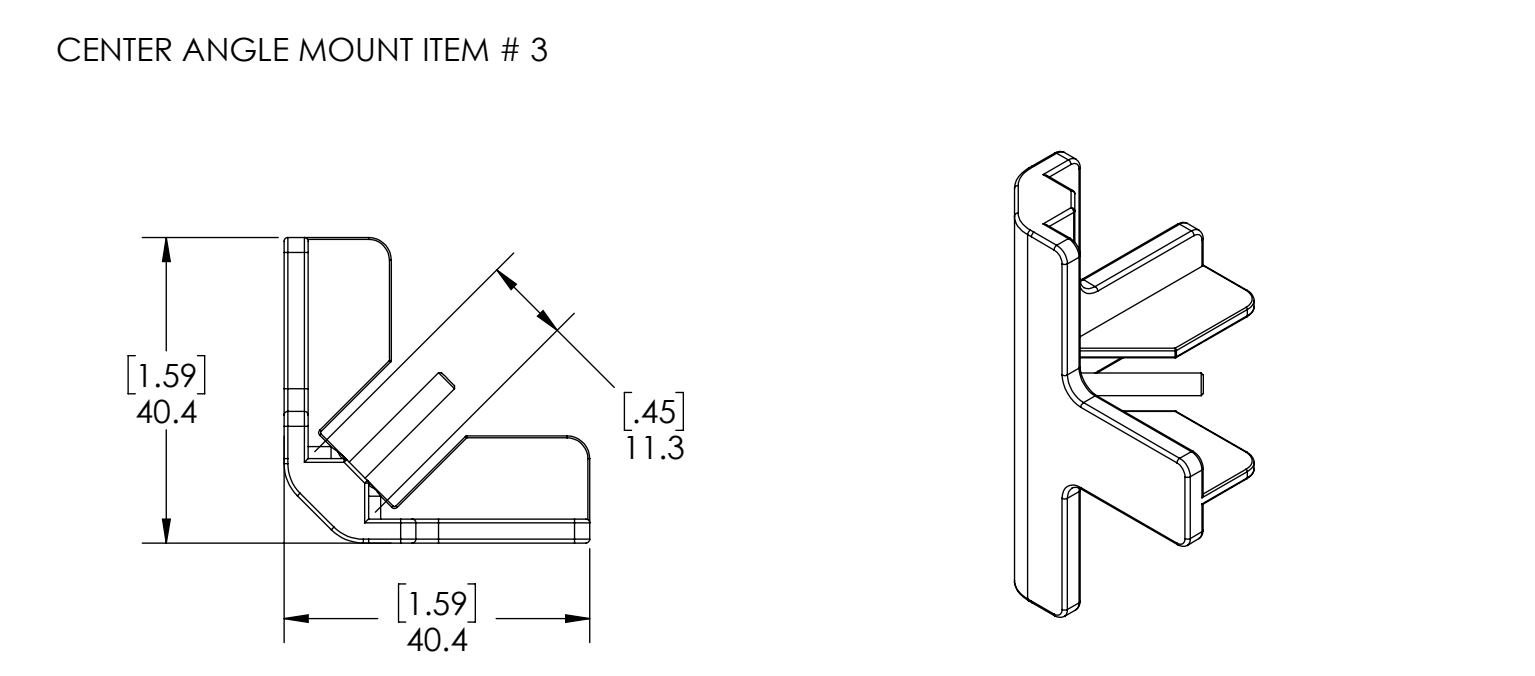
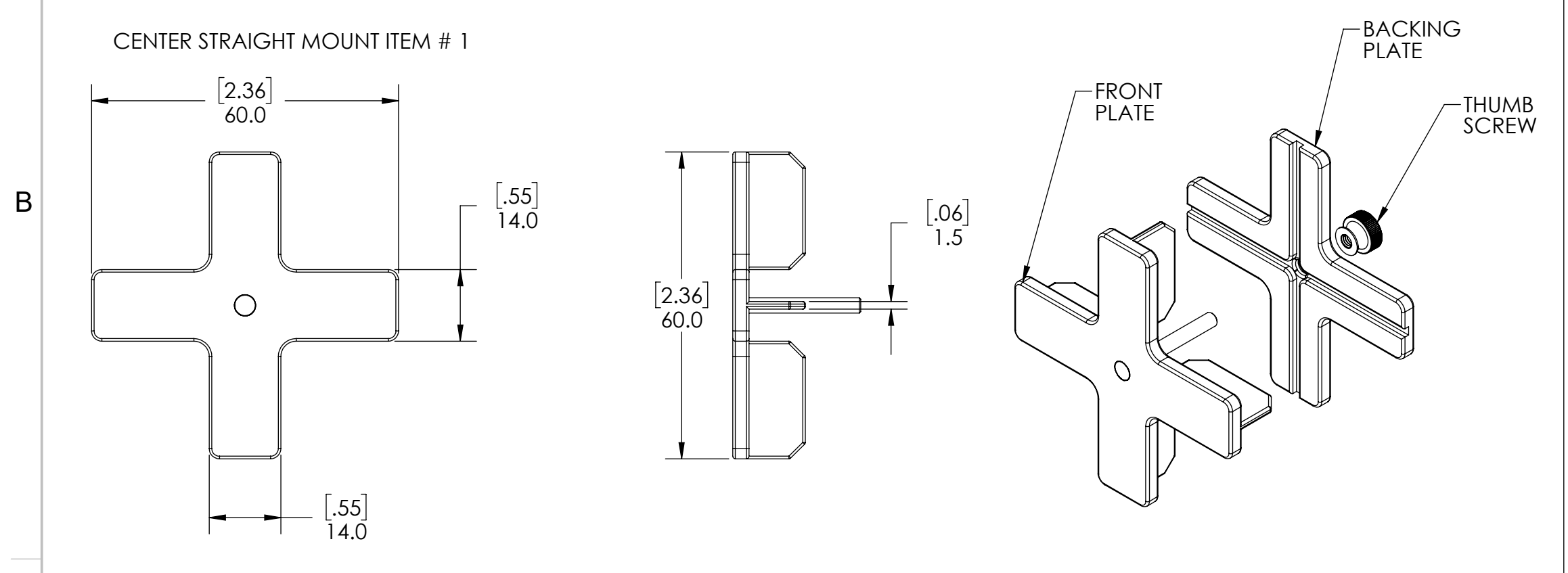
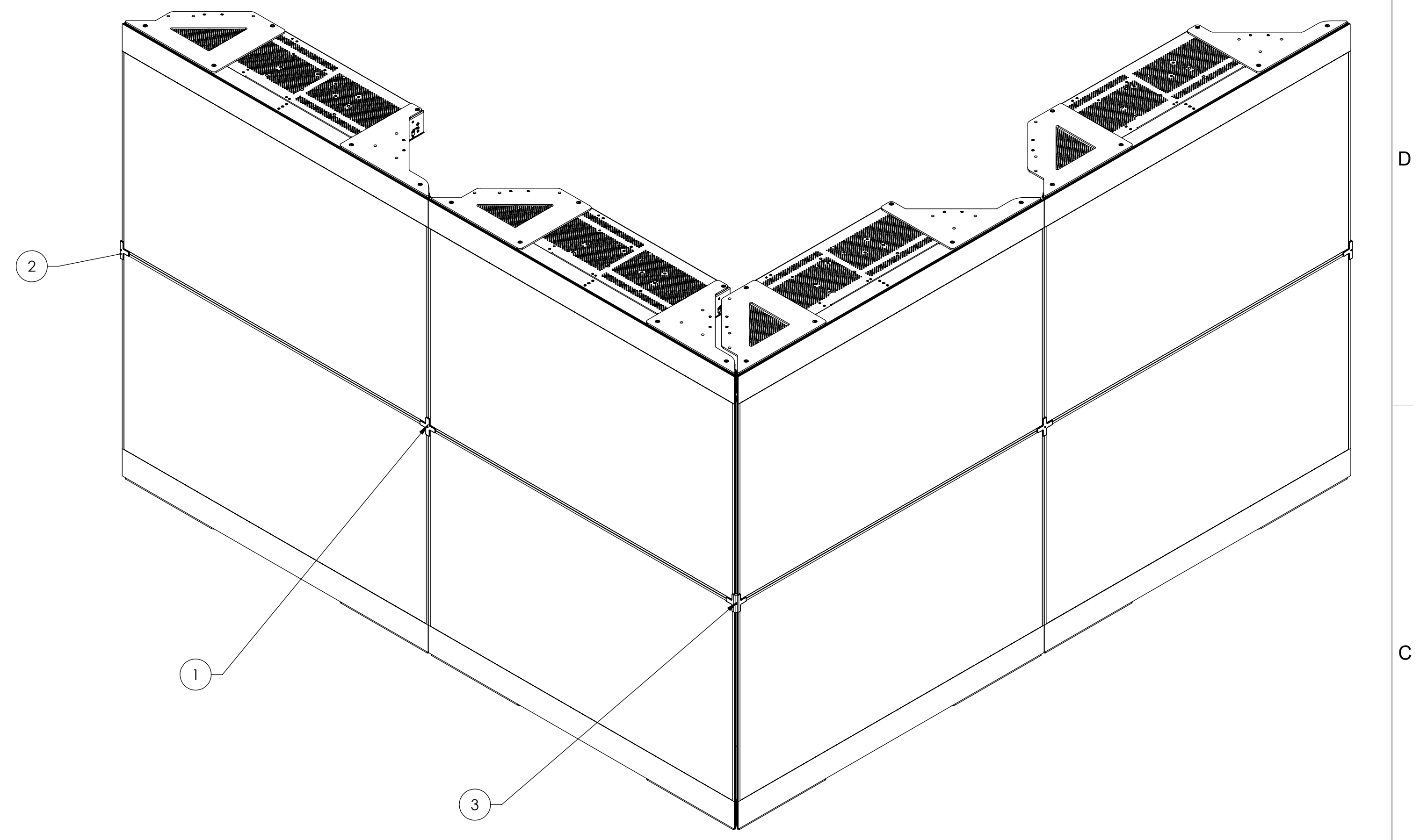
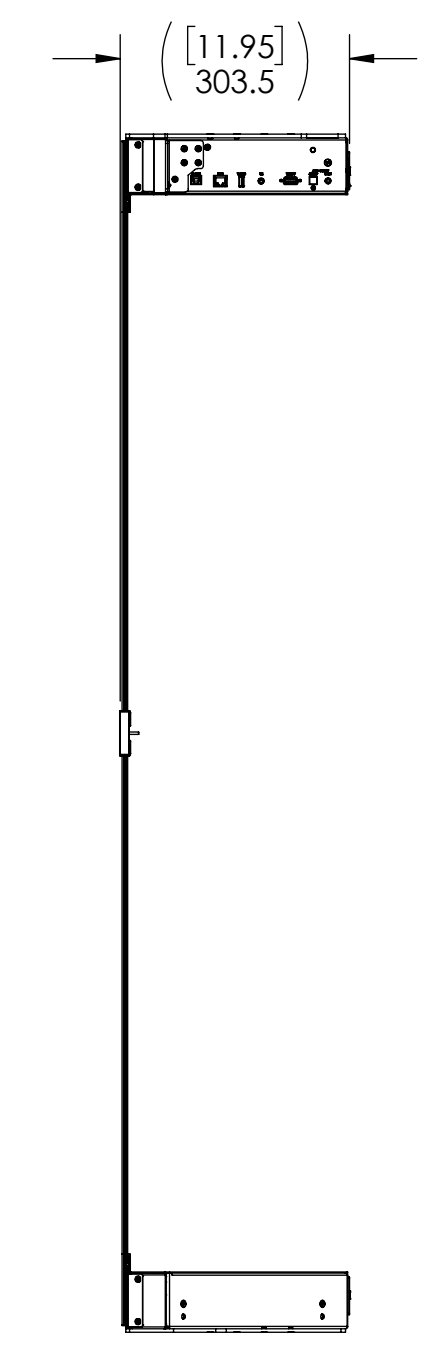
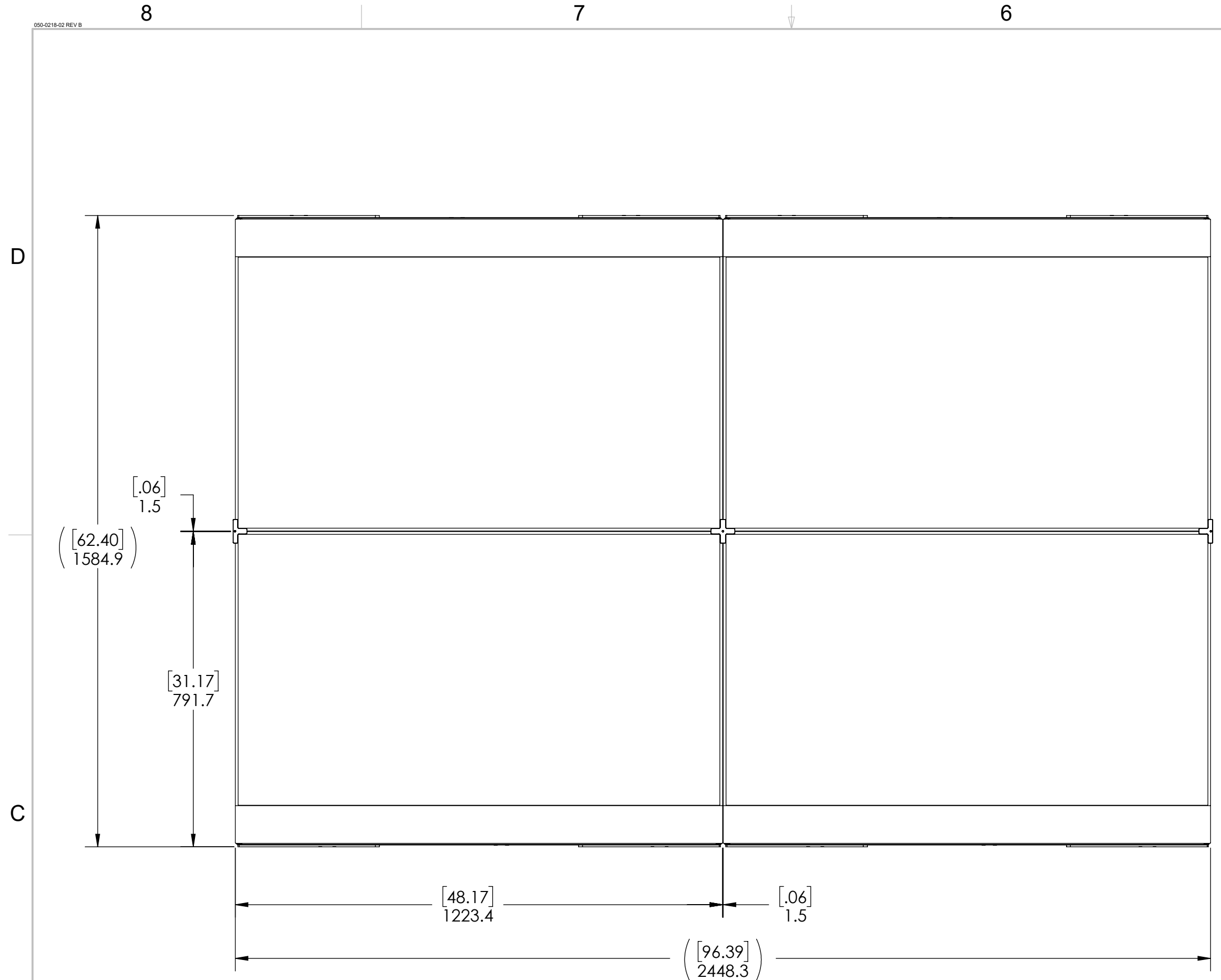


OPTIONAL ELECTRONICS TRAY COVER



1. SPECIFICATIONS SUBJECT TO CHANGE WITHOUT NOTICE.
 NOTES: UNLESS OTHERWISE SPECIFIED.

SIZE	PART NO.	DRAWING NO.	REV.
D	998-1483-00	LO552 Product Outline	B
SCALE	1:5	DO NOT SCALE	SHEET 2 OF 3



1. SPECIFICATIONS SUBJECT TO CHANGE WITHOUT NOTICE.
 NOTES: UNLESS OTHERWISE SPECIFIED.

SIZE	PART NO.	DRAWING NO.	REV.
D	998-1483-00	LO552 Product Outline	B
SCALE	1:10	DO NOT SCALE	SHEET 3 OF 3