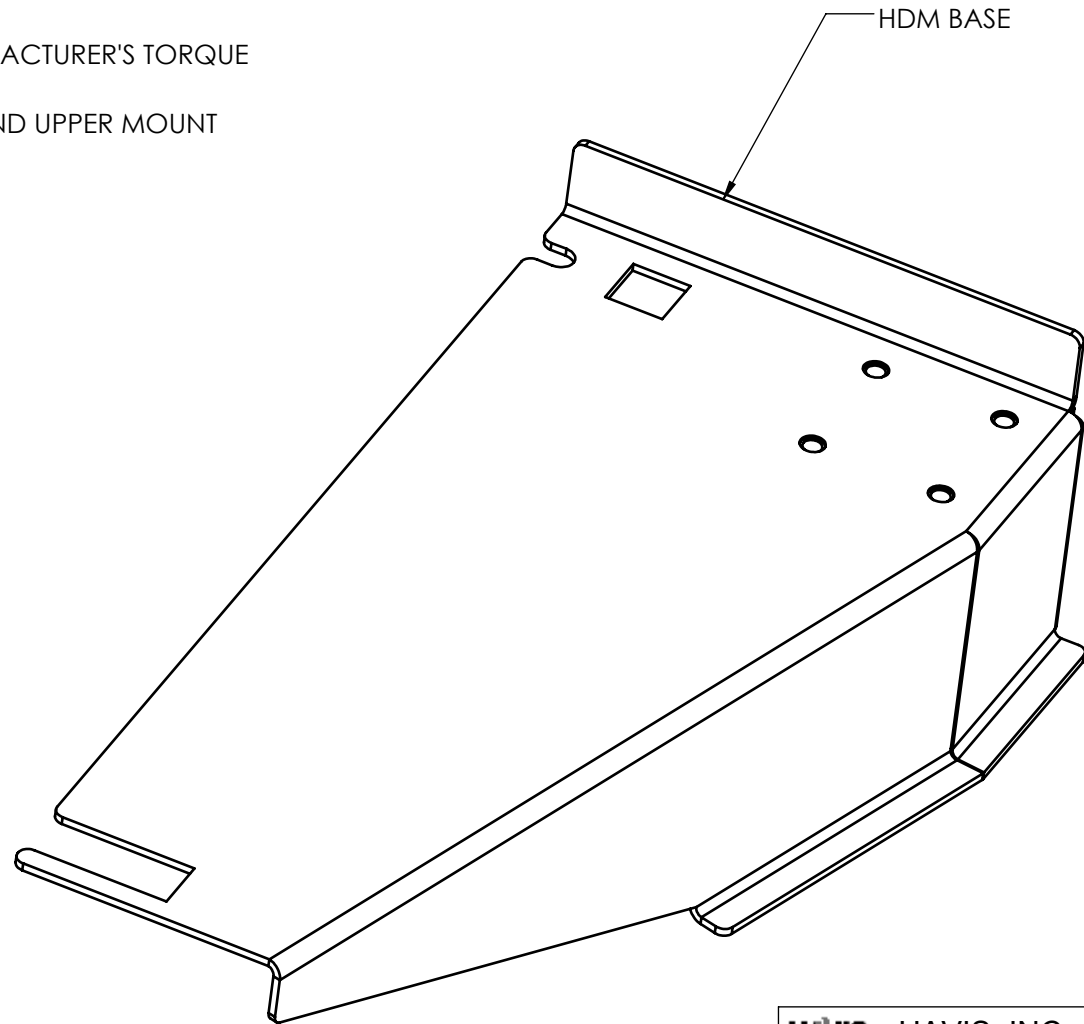


INSTALLATION INSTRUCTIONS:

1. REMOVE FRONT PASSENGER SEAT BOLTS.
2. LIFT FRONT OF SEAT BASE AND SLIDE HDM BASE BETWEEN FLOOR AND SEAT BASE, ALIGNING THE BOSSES AND PINS IN THE SEAT BASE WITH THE CUTOUTS IN THE HDM BASE.
3. REINSTALL SEAT BOLTS AND TIGHTEN TO MANUFACTURER'S TORQUE SPECIFICATION.
4. FOLLOW GENERAL INSTRUCTIONS FOR POLE AND UPPER MOUNT PARTS.



HAVIS HAVIS, INC.		75 JACKSONVILLE RD. WARMINSTER, PA. 18974 1-800-524-9900
TITLE: INSTALLATION INSTRUCTIONS, CHEVROLET TRAVERSE HDM BASE		
DO NOT SCALE DRAWING		
SIZE A	DWG. NO. C-HDM-1002-INST	REV 7-18
WEIGHT (LB): 9.02	SCALE: 1:3	SHEET 1 OF 1