

Owner's Manual

Industrial-Grade USB 3.0 Hub

Models:

**U360-004-IND (4-Port), U360-007-IND (7-Port),
U360-010-IND (10-Port)**

Important Safety Instructions	2	Powering the Hub	4
Features	3	Mounting Kit Installation	5
System Requirements	4	Specifications	9
Package Contents	4	Warranty & Product Registration	10

Este manual esta disponible en español en la página de Tripp Lite:
www.tripplite.com/support

Ce manuel est disponible en français sur le site Web de Tripp Lite :
www.tripplite.com/support

Русскоязычная версия настоящего руководства представлена на
веб-сайте компании Tripp Lite по адресу: www.tripplite.com/support

PROTECT YOUR INVESTMENT!

Register your product for quicker service and ultimate peace of mind.
You could also win an ISOBAR6ULTRA surge protector—a \$100 value!

www.tripplite.com/warranty



1111 W. 35th Street, Chicago, IL 60609 USA • www.tripplite.com/support

Copyright © 2018 Tripp Lite. All rights reserved.
All trademarks are the property of their respective owners.

Before attempting to connect, operate or adjust this product, please read the entire Owner's Manual first.

Important Safety Instructions

- Always read the safety instructions carefully
- Keep this Owner's Manual for future reference
- If any of the following situations arise, schedule an appointment to have your equipment inspected by a service technician:
 - The equipment has been exposed to moisture
 - The equipment has been dropped and damaged
 - The equipment shows obvious signs of breakage
 - The equipment is not functioning properly or is not functioning according to the Owner's Manual instructions

Features

- Increases the number of SuperSpeed USB ports from a single computer port (4 ports for U360-004-IND model / 7 ports for U360-007-IND model / 10 ports for U360-010-IND model)
- USB 3.0 compliant with data transfer rates up to 5 Gbps
- Backward compatible with USB 2.0 and 1.x
- Rugged all-metal enclosure designed for use in industrial applications
- Wall-mount and DIN rail hardware included for secure installation
- USB ports support USB cables with locking connectors
- Three power connection options (source USB port, external power supply (not included) or 3-wire terminal block)
- Each USB 3.0 port provides up to 900 mA of power
- Overcurrent detection and protection
- ESD protection to +/- 20 kV
- EFT protection to +/- 2.5 kV
- Automatic link and speed detection
- Plug-and-play; no software or drivers required

System Requirements

- Compatible with all USB-enabled operating systems

Package Contents

- U360-004-IND, U360-007-IND or U360-010-IND Industrial-Grade USB 3.0 Hub
- USB 3.0 cable
- 3-pin power terminal block
- DIN mounting hardware
- Wall-mount hardware
- Owner's Manual

Powering the Hub

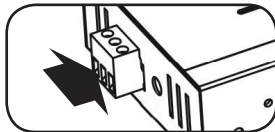
DC-In

To power the hub, plug the user-supplied power adapter into the wall outlet.

Note: *The U360-004-IND, U360-007-IND and U360-010-IND are compatible with listed LPS power supplies from 9V DC to 40V DC. These power supplies use a 5.5 x 2.1 x 9.5 mm output plug with either a positive tip and a negative sleeve, or a negative tip and positive sleeve.*

Power Terminal

To power the hub using a power terminal, plug the supplied power terminal block into the hub according to the connector's orientation.

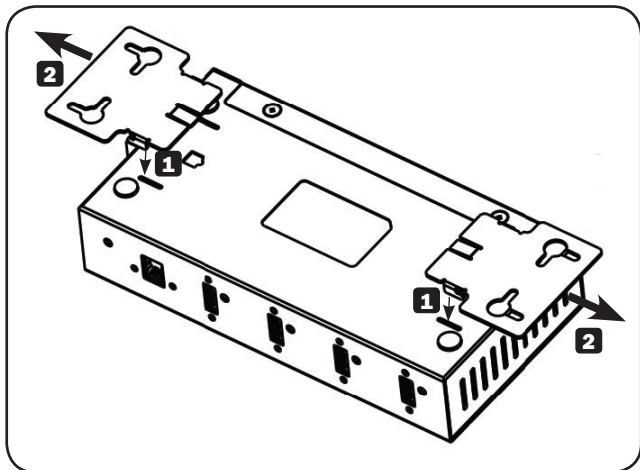


Mounting Kit Installation

Mounting Hardware Installation

The U360-004-IND, U360-007-IND and U360-010-IND hubs can be placed on a flat surface, or mounted using the included wall-mount brackets or DIN rail hardware. Reference the diagram below when installing the mounting hardware.

Wall-Mount Hardware Installation

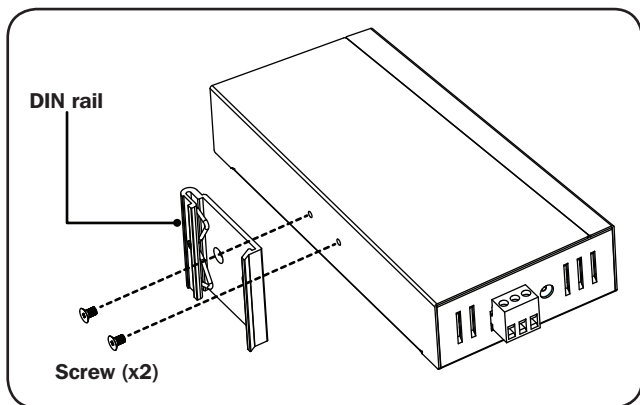


To install the wall-mount brackets, insert the bracket tabs into the slots on the bottom of the unit **1** and then pull outward to lock into place **2**.

Mounting Kit Installation

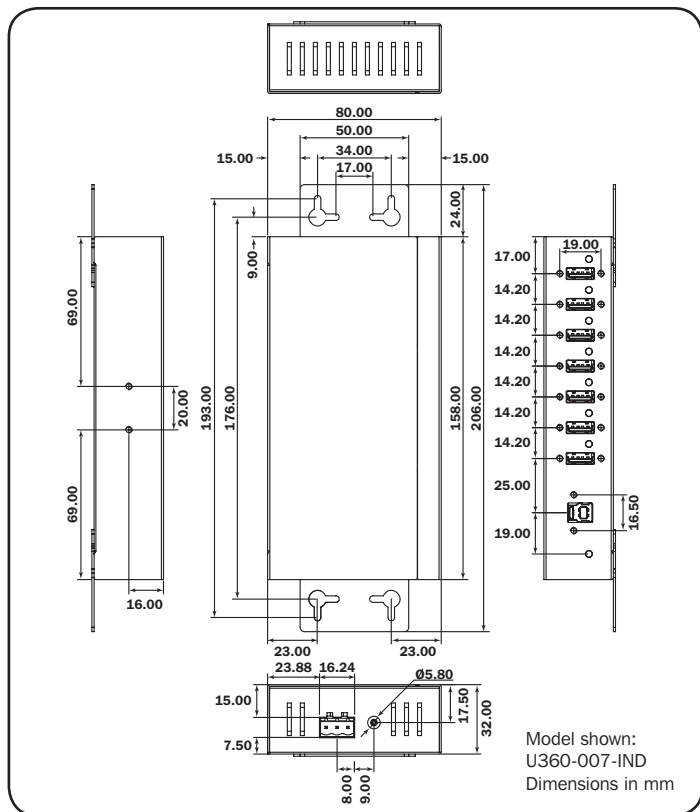
DIN Rail Hardware Installation

Using the included hardware, mount the DIN rail to the side of the unit.

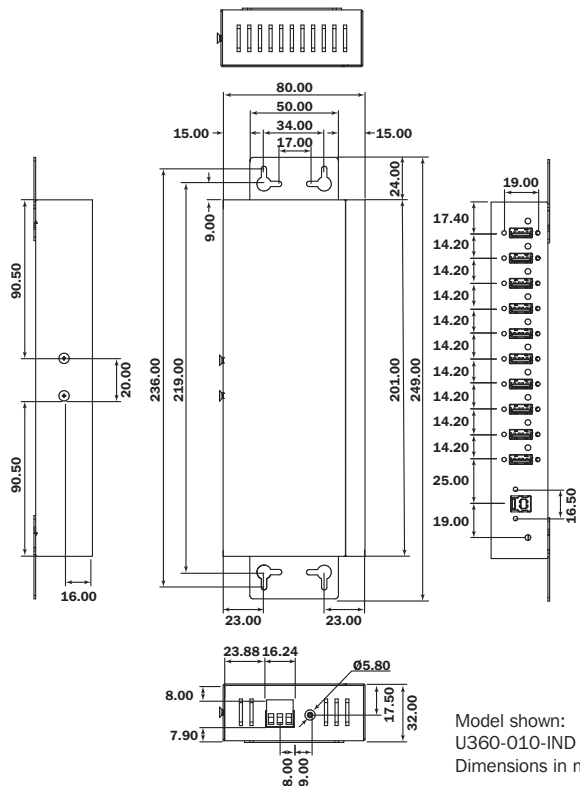


Mounting Kit Installation

Note: The U360-007-IND and U360-004-IND's dimensions are the same; the only difference between the two models is the number of USB ports.



Mounting Kit Installation



Model shown:
U360-010-IND
Dimensions in mm

Specifications

Item	Description
Ports	4 x USB 3.0 (U360-004-IND model) 7 x USB 3.0 (U360-007-IND model) 10 x USB 3.0 (U360-010-IND model)
ESD Protection	+/- 20 kV
EFT Protection	+/- 2.5 kV
Transmission Speed	Up to 5 Gbps
Power Requirement	Bus-power 9-40V DC power supply 3-pin terminal (9-40V DC)
Storage Temperature	14° to 131°F / -10° to 55°C
Operating Temperature	32° to 104°F / 0° to 40°C
Relative Humidity	5 to 90%
Dimensions, L x W x H	6.2 x 3.1 x 1.3 in. / 158 x 80 x 32 mm (U360-004-IND and U360-007-IND models) 7.9 x 3.1 x 1.3 in. / 201 x 80 x 32 mm (U360-010-IND model)
Enclosure Material	Metal
Regulatory Approvals	FCC/CE

Specification is subject to change without further notice.

Warranty & Product Registration

3-Year Limited Warranty

TRIPP LITE warrants its products to be free from defects in materials and workmanship for a period of three (3) years from the date of initial purchase. TRIPP LITE's obligation under this warranty is limited to repairing or replacing (at its sole option) any such defective products. To obtain service under this warranty, you must obtain a Returned Material Authorization (RMA) number from TRIPP LITE or an authorized TRIPP LITE service center. Products must be returned to TRIPP LITE or an authorized TRIPP LITE service center with transportation charges prepaid and must be accompanied by a brief description of the problem encountered and proof of date and place of purchase. This warranty does not apply to equipment, which has been damaged by accident, negligence or misapplication or has been altered or modified in any way.

EXCEPT AS PROVIDED HEREIN, TRIPP LITE MAKES NO WARRANTIES, EXPRESS OR IMPLIED, INCLUDING WARRANTIES OF MERCHANTABILITY AND FITNESS FOR A PARTICULAR PURPOSE.

Some states do not permit limitation or exclusion of implied warranties; therefore, the aforesaid limitation(s) or exclusion(s) may not apply to the purchaser.

EXCEPT AS PROVIDED ABOVE, IN NO EVENT WILL TRIPP LITE BE LIABLE FOR DIRECT, INDIRECT, SPECIAL, INCIDENTAL OR CONSEQUENTIAL DAMAGES ARISING OUT OF THE USE OF THIS PRODUCT, EVEN IF ADVISED OF THE POSSIBILITY OF SUCH DAMAGE. Specifically, TRIPP LITE is not liable for any costs, such as lost profits or revenue, loss of equipment, loss of use of equipment, loss of software, loss of data, costs of substitutes, claims by third parties, or otherwise.

FCC Notice, Class B

This device complies with part 15 of the FCC Rules. Operation is subject to the following two conditions: (1) This device may not cause harmful interference, and (2) this device must accept any interference received, including interference that may cause undesired operation.

Note: This equipment has been tested and found to comply with the limits for a Class B digital device, pursuant to part 15 of the FCC Rules. These limits are designed to provide reasonable protection against harmful interference in a residential installation. This equipment generates, uses and can radiate radio frequency energy and, if not installed and used in accordance with the instructions, may cause harmful interference to radio communications. However, there is no guarantee that interference will not occur in a particular installation. If this equipment does cause harmful interference to radio or television reception, which can be determined by turning the equipment off and on, the user is encouraged to try to correct the interference by one or more of the following measures:

- Reorient or relocate the receiving antenna.
- Increase the separation between the equipment and receiver.
- Connect the equipment into an outlet on a circuit different from that to which the receiver is connected.
- Consult the dealer or an experienced radio/TV technician for help.

Any changes or modifications to this equipment not expressly approved by Tripp Lite could void the user's authority to operate this equipment.

Warranty & Product Registration

WEEE Compliance Information for Tripp Lite Customers and Recyclers (European Union)



Under the Waste Electrical and Electronic Equipment (WEEE) Directive and implementing regulations, when customers buy new electrical and electronic equipment from Tripp Lite they are entitled to:

- Send old equipment for recycling on a one-for-one, like-for-like basis (this varies depending on the country)
- Send the new equipment back for recycling when this ultimately becomes waste

PRODUCT REGISTRATION

Visit www.tripplite.com/warranty today to register your new Tripp Lite product. You'll be automatically entered into a drawing for a chance to win a FREE Tripp Lite product!*

* No purchase necessary. Void where prohibited. Some restrictions apply. See website for details.

Use of this equipment in life support applications where failure of this equipment can reasonably be expected to cause the failure of the life support equipment or to significantly affect its safety or effectiveness is not recommended.

Tripp Lite has a policy of continuous improvement. Specifications are subject to change without notice.



1111 W. 35th Street, Chicago, IL 60609 USA • www.tripplite.com/support