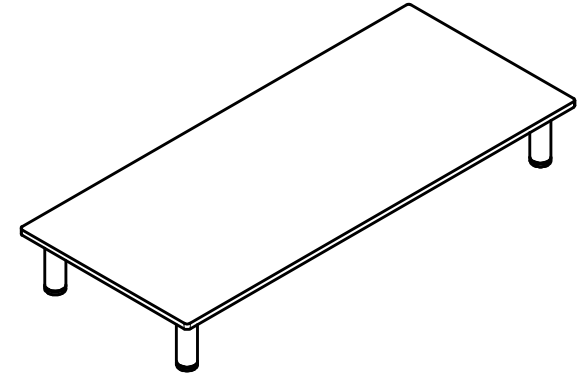


VERSION INFORMATION (Vender)			
Rev.	Rev. Date	Modified By	Brief Description
V1	2020.01.09	Sharon	Initial Issue
V2			



VENDOR CODE : V16792		DESCRIPTION : Workstream by Monoprice Corner Multimedia Desktop Monitor Stand,Clear Glass	
APPROVED BY PM & DATE : HS 4/21/20		PID # : 116356,116360	
PM PRINT NAME :		DATE : 2020.6.11	UNIT : MM
		SHEET: 1 OF 1	FILE NAME: 116356_Monitor Stand,Clear Glass

NO.	PART NAME	SPECIFICATION DESCRIPTION	QTY	UNIT
③				
②				
①	ACK-002	Monitor Stand,Clear Glass	5 pcs	1 ctn