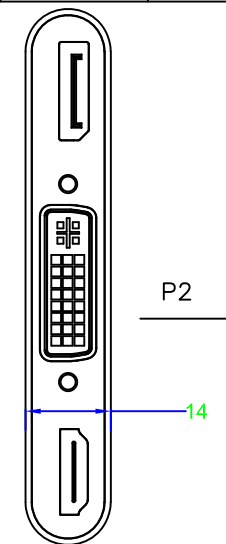
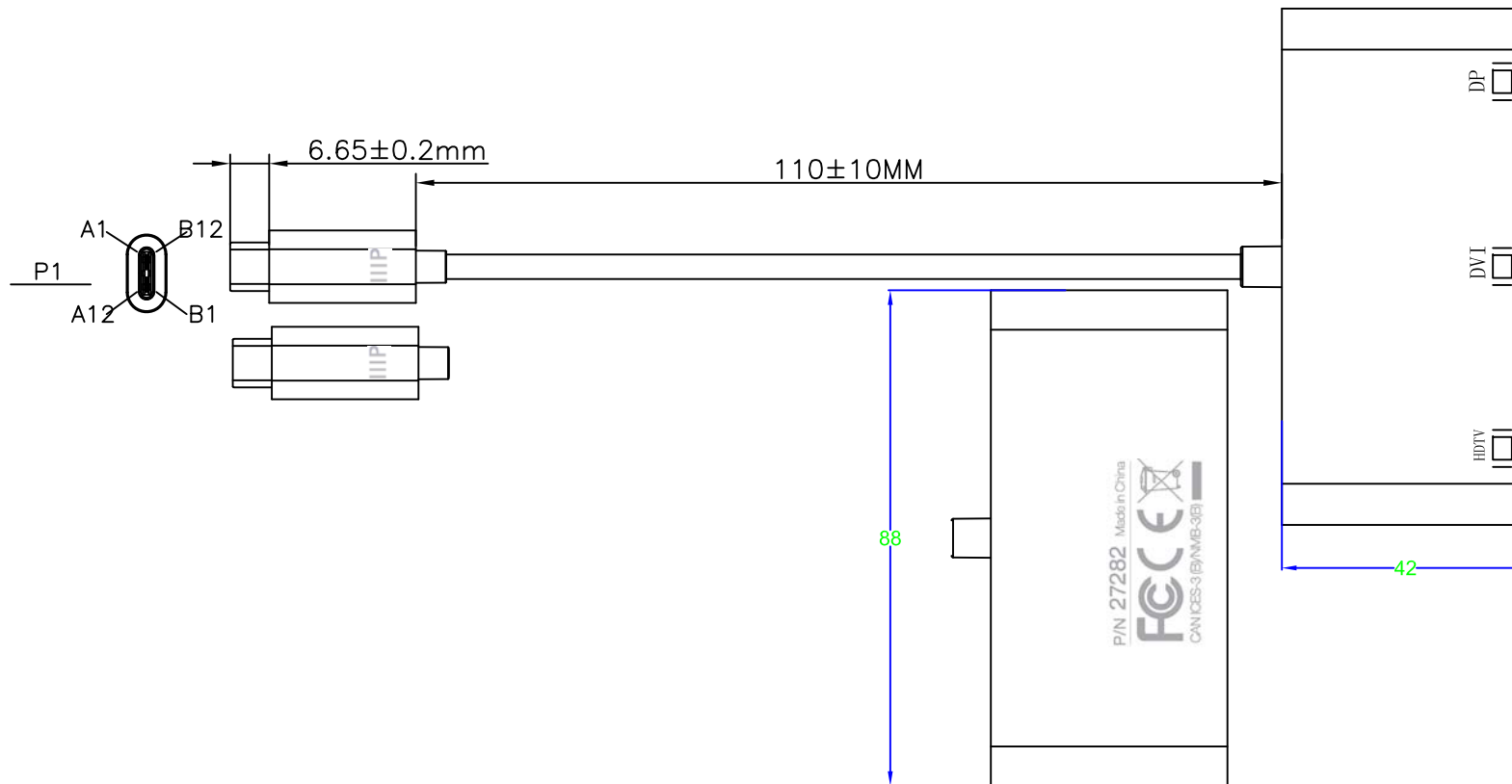


RoHS COMPLIANT


REVISION INFORMATION:		
Rev.	Rev. Date	Brief Description
	2020.05.18	Initial Issue



Pin Assignment

P1		P2	
CC	A5	A5	A5
DP	A6	A6	A6
DN	A7	A7	A7
SBU1	A8	A8	A8
Vconn	B5	B5	B5
SBU2	B8	B8	B8
SSTXp1	A2	A2	A2
SSTXn1	A3	A3	A3
SSRXp2	A11	A11	A11
SSRXn2	A10	A10	A10
SSTXp2	B2	B2	B2
SSTXn2	B3	B3	B3
SSRXp1	B11	B11	B11
SSRXn1	B10	B10	B10
GNDA1,A12,B1,B12	Shell	A12,B1,B12	Shell
VBUS (A4,A9,B4,B9)	Shell	A4,A9,B4,B9	Shell

NO	SPECIFICATION DESCRIPTION	QT'Y	UNIT
⑬	Circular label OD:20MM Green and white marking :RoHS COMPLIANCE	1	pcs
⑮	White background and black text labels~102*73MM~marking : PID: 27282...10(10)	1/10	pcs
⑭	White background and black text labels~51*76MM~marking : PID: 27282...: 8 89028 06250 0 : UPC A	1	pcs
⑬	White background and black text labels~51*38MM~marking: PID: 27282...QTY:200: UPC A	4/200	pcs
⑫	White background and black text labels~20*12MM~markingbg: Trash cans and CE mark	1/10	pcs
⑪	transparency PE bag 300*240*0.06MM Environmental protection "marking air holes	14/200	pcs
⑩	White aluminum foil bag 110*180*0.1mm (With the butterfly hole 25*75mm)	1/200	pcs
⑨	DRY BAG 970*870*0.06MM no mark	1/200	pcs
⑧	carton board B3C 440*360MM	2/200	pcs
⑦	master carton~460*380*240MM~K~K~mark :Monoprice...	1	pcs
⑥	USB TYPE-C~Clamp	1	pcs
⑤	45P White~PVC	8	g
④	DPHV~Shell~ABS~White~Marking:x3 HDTV DVI D...	1	pcs
③	DPHD~Front Cover plate~ABS	1	pcs
②	UTC~DPHD~PCB+SMT+soldertar~Nickel Plated	1	pcs
①	USB3.1 Type CM TO CM cable~34AWG~OD:3.9MM~L=0.32M~White~Nickel Plated	1/2	pcs



DESCRIPTION:
Monoprice USB-C to 4K DisplayPort HDMI and Single-Link DVI-D Passive Adapter

PID: **27282**

DATE: 2020.05.18	UNIT: MM	FILE NAME: 27282_PRODUCT
---------------------	-------------	-----------------------------