



# B14

3U Active Air Cooler

**PRODUCT SPECIFICATIONS**

## Table of Contents

1. PRODUCT DESCRIPTION .....	2
2. THERMAL PERFORMANCE CURVE .....	4
3. DM DRAWING .....	5
4. EP DRAWING .....	6
5. RoHS CERTIFICATE .....	7

**B14 | Socket LGA 3647/Square**

## Model Number: B14

- Intel® Xeon® Platinum / Gold / Silver/ Bronze Family Processor, Socket FCLGA3647; products formerly Cascade Lake, Skylake
- For Square ILM Only
- Active Cooler for 3U Server & Up

## Overall Specification

Dimension	90 x 90 x 110 mm
Weight	600g
Material	Aluminum Heatsink with Heatpipe Embedded
Fan	8025 Axial PWM Fan for Heat Exhausting
Mounting Method	Convenient Heat Sink Screw captive mounting
Package Carriers	Both Fabric and Non-Fabric Package Carriers are Included
Thermal Grease	Shin-Etsu 7762 or Equivalent
TDP	Support CPU power up to 205 Watts heat dissipation

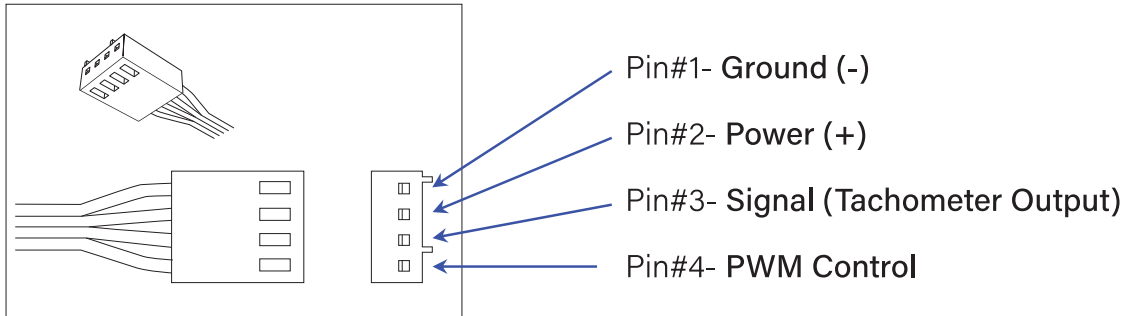
## Fan Specification

Model Number	DF128025BM-PWM
Dimension	80 x 80 x 25 mm
Bearing	Double Ball
Rated Voltage	12V
Rated Speed	At Duty Cycle 0~20%: 1000 ± 200 RPM At Duty Cycle 50%: 2300 ± 10% RPM At Duty Cycle 100%: 4000 ± 10% RPM
Input Power	At Duty Cycle 0~20%: 0.96 W At Duty Cycle 50%: 1.44 W At Duty Cycle 100%: 4.8 W
Maximum Airflow	At Duty Cycle 0~20%: 12.5 CFM At Duty Cycle 50%: 28.8 CFM At Duty Cycle 100%: 50.0 CFM
Rated Static Pressure	At Duty Cycle 0~20%: 0.5 mm-H2O At Duty Cycle 50%: 2.6 mm-H2O At Duty Cycle 100%: 7.8 mm-H2O
Acoustical Noise	At Duty Cycle 0~20%: 16 dBA At Duty Cycle 50%: 30.2 dBA At Duty Cycle 100%: 42.2 dBA
Lead Wire Pin Out	Pin#1- Black(-) Pin#2- Yellow(+) Pin#3- Green(Tachometer/ Signal Output)

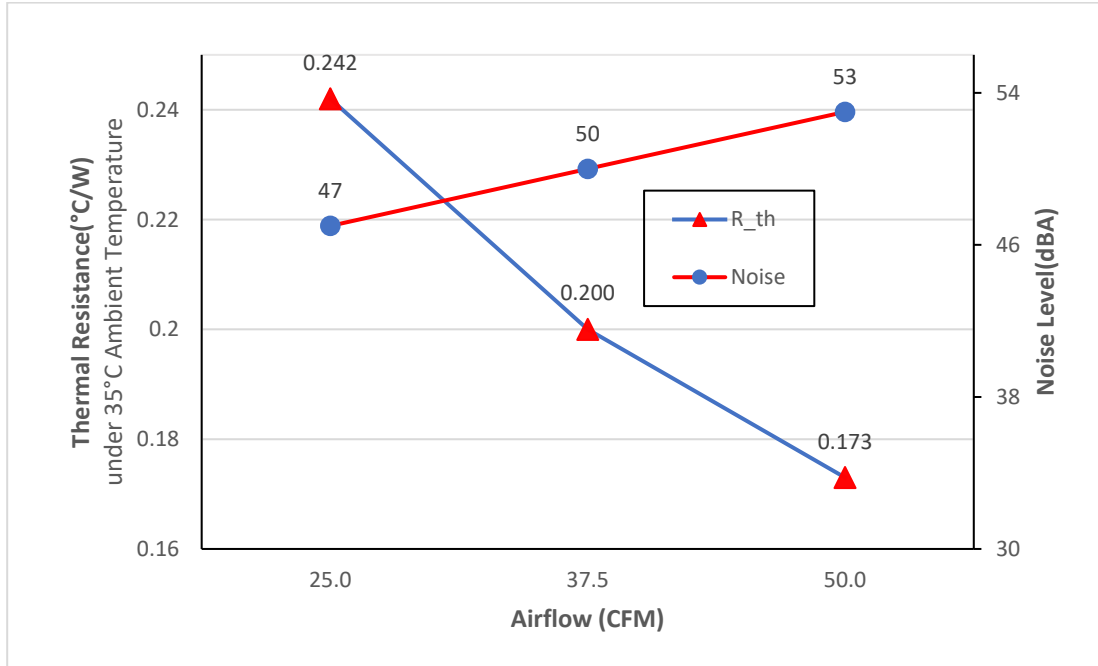
**B14** | Socket LGA 3647/Square

Pin#4- Blue (PWM)01

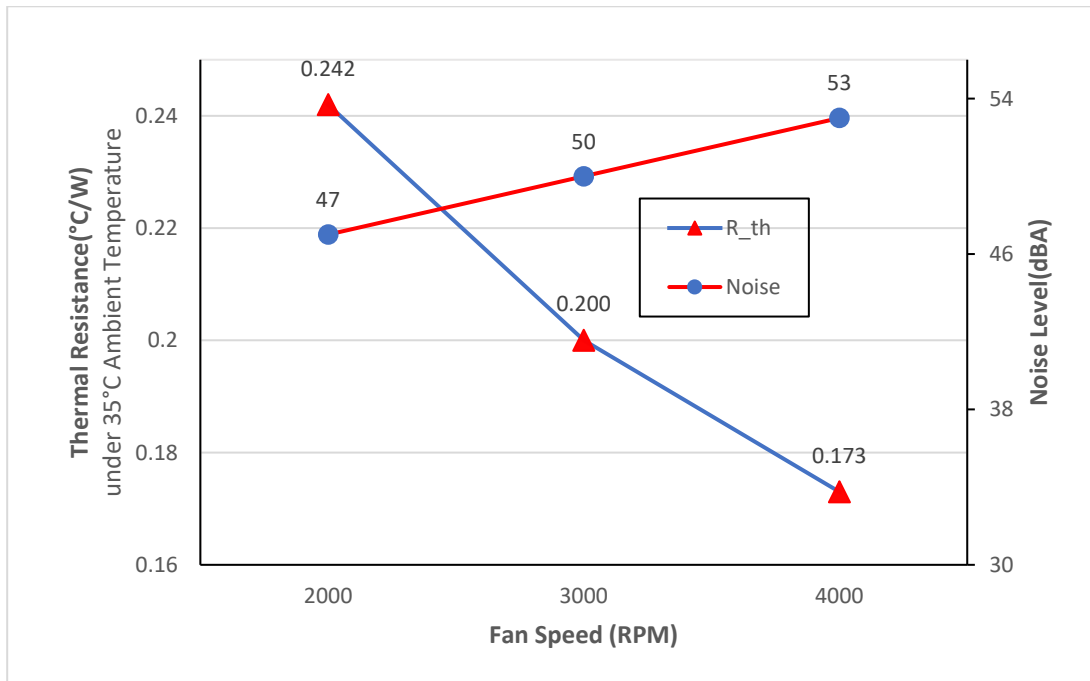
## Lead Wire Pin Out Diagram



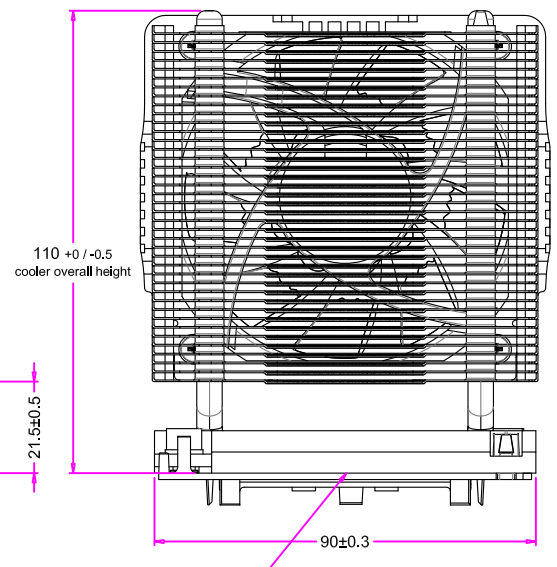
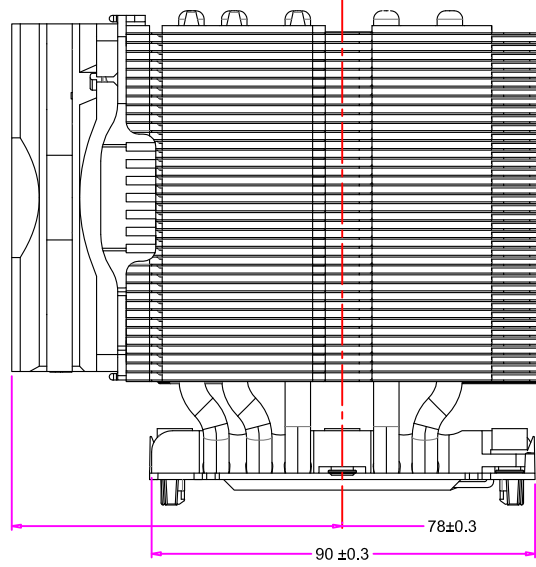
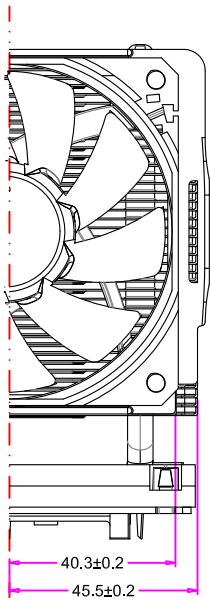
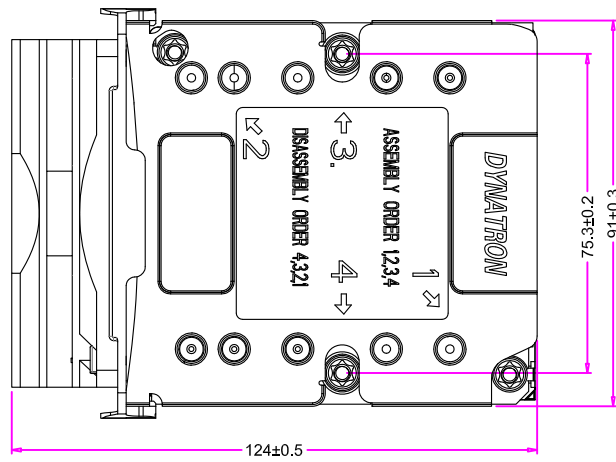
## Performance Chart: Active Cooler B14 Thermal Resistance Cooling Performance vs. Airflow



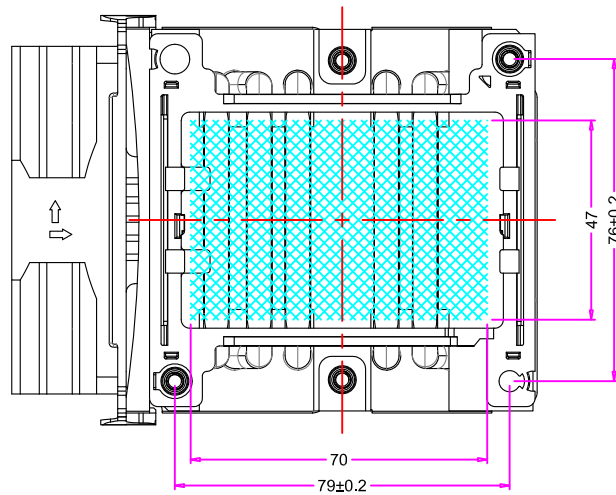
## Cooling Performance vs. Fan Speed



REV#	DESCRIPTION	CHECKER	DATE
0.0	INITIAL RELEASE	LANG	03/14/17



$\nabla$  0.10  
Ra < 1.2  
MILL



	NAME	DATE
DRAWN BY	ENGR	03/14/2017
CHECKED BY	LANG	03/14/2017
ENG. APPROVED		
MFG. APPROVED	-	-



DYNATRON CORPORATION

TOP MOTOR

TITLE: **3U Active Cooler B14**  
Overall Dimension Drawing

**CONFIDENTIAL DOCUMENT**

THIS DRAWING CONTAINS INFORMATION PROPRIETARY TO DYNATRON CORPORATION AND DYNAEON INDUSTRIAL CO., LTD. ANY REPRODUCTION, DISCLOSURE, OR USE OF THIS DRAWING IS EXPRESSLY PROHIBITED EXCEPT AS DYNATRON CORPORATION AND DYNAEON INDUSTRIAL CO., LTD. MAY OTHERWISE AGREE TO IN WRITING.

VIEW	
UNITS	MM

DWG. No:

DYN-DM-B14

REV.  
0.0

**CONFIDENTIAL DOCUMENT**

THIS DRAWING CONTAINS INFORMATION PROPRIETARY TO DYNATRON CORPORATION AND DYNAEON INDUSTRIAL CO., LTD. ANY REPRODUCTION, DISCLOSURE, OR USE OF THIS DRAWING IS EXPRESSLY PROHIBITED EXCEPT AS DYNATRON CORPORATION AND DYNAEON INDUSTRIAL CO., LTD. MAY OTHERWISE AGREE TO IN WRITING.

**ASSEMBLY PARTS**

**WHOLE SET OF HEATSINK**

REV#	DESCRIPTION	CHECKER	DATE
0.0	INITIAL RELEASE	LANG	03/14/2017

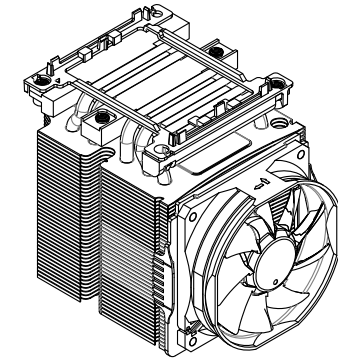
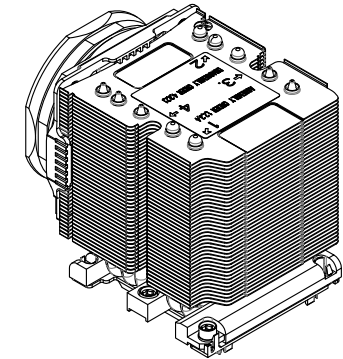
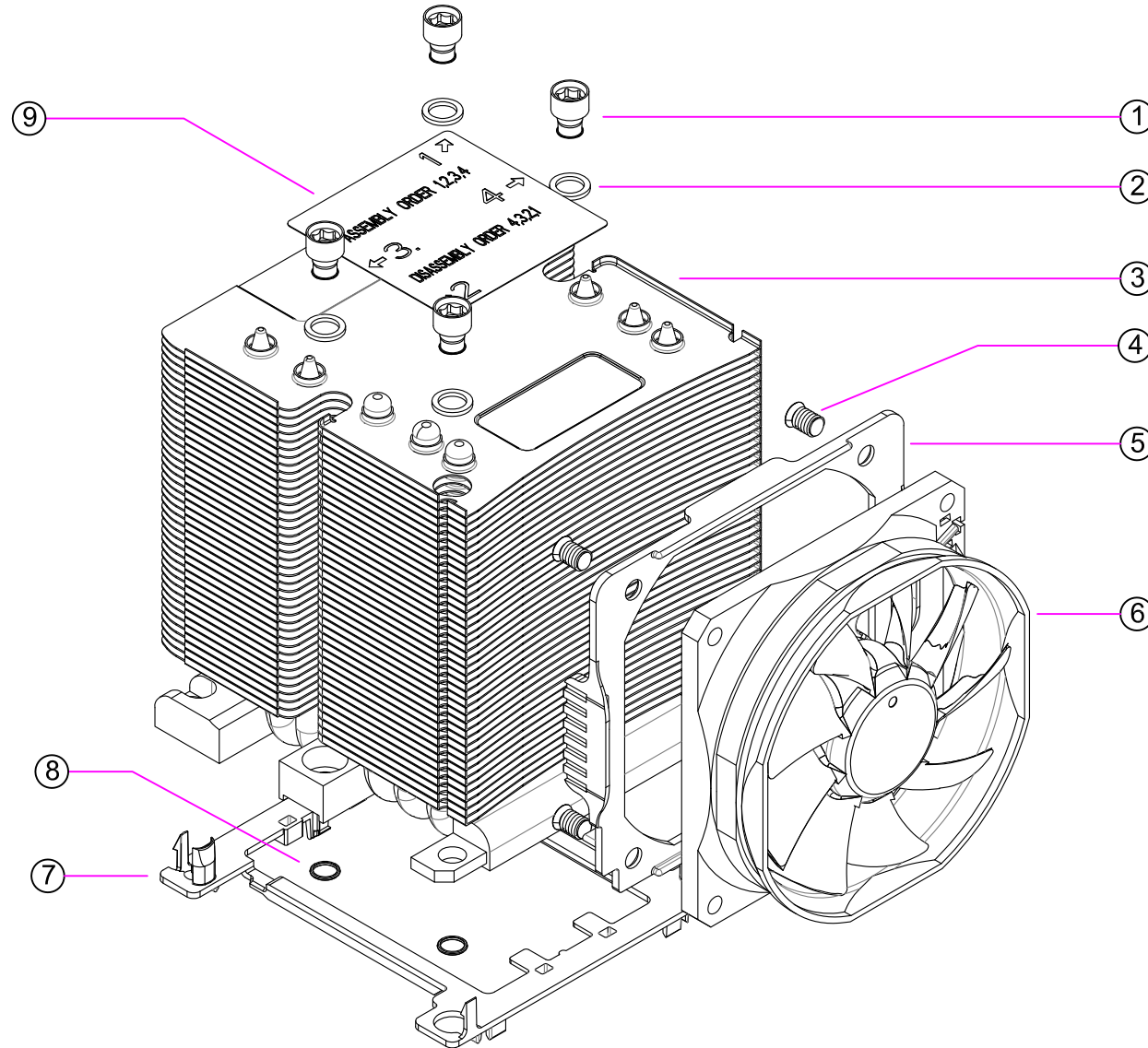
A

B

C

D

E



- NOTES:**
1. THE FIGURE IS FOR REFERENCE ONLY, AND NOT FOR SCALE
  2. OVERALL DIMENSION : 90 x 90 x 110 mm
  3. OVERALL WEIGHT : 600 g

ITEM#	DESCRIPTION	MATERIAL	QTY.
10	THERMAL GREASE, PRE-PRINTED	SHIN-ETSU 7762	1
9	INTEL MOUNTING LABEL	PLASTIC	1
8	CALLAR	NY66 A205F	4
7	INTEL PACKAGE CARRIER	PLASTIC	1
6	Fan, DF128025BH-PWM, 4000 RPM	PLASTIC	1
5	FAN BRACKET	PLASTIC	1
4	SCREW, FAN MOUNTING	STEEL	4
3	HEATSINK	HEATPIPES ALUMINUM BASE ALUMINUM STACKED FIN	1
2	WASHER	PLASTIC	4
1	HEATSINK NUT, M4	SS316 ANNEALED	4

DATE	NAME	 DYNATRON CORPORATION	TITLE: <b>3U Active Cooler B14</b> BOM & Exploded Assembly Drawing
03/14/2017	Engr		
CHECKED	LANG		
03/14/2017	LANG		
ENG. APPR.			
MFG. APPR.			
D.A.			
COMMENTS:		DWG. No:	REV
		DYN-EP-B14	0.0

1 2 3 4 5 6 7 8



## Certificate of Environment Protection

### 環保證明書

Document Number: RH-B14-R0

<b>Customer:</b> 客戶名稱:	<b>Company:</b> _____ <b>Address:</b> _____ <b>Phone Number:</b> ____ - ____ - _____
<b>Issue Date:</b>	06/02/2016
<b>Product Model Number:</b>	B14
<p> <b>Dynatron Corporation</b> hereby declares and certifies that all components manufactured are RoHS compliant according to the definitions and restrictions given by the European Union's Restriction (Directive 2002/95/EC) (Decision2011/65/EU)RoHS 2, on the restriction of the use of certain Hazardous Substances in the electrical and electronic equipment. Also, compliance to the most recent list of substances on the REACH candidate list.                     </p> <p> <b>Number of substances on the Candidate List: 168 (last updated: 17/12/2015)</b> </p> <p>                         No exemptions are claimed in order for the part to be compliant with the RoHS directive.                     </p> <p> <b>Dynatron Corporation / 政久興業股份有限公司</b>證明所有產品,零件 (包括附屬品, 包裝類) 之環境管理物質完全符合 <b>RoHS, WEEE,</b> 及該環保標準之規定, 並承諾遵 循以上之證明.                     </p> <div style="text-align: right; margin-top: 20px;"> <p> <b>Dynatron Corporation.</b>                              33200 Western Ave,                              Union City, CA 94587                              www.Dynatron-corp.com                         </p> </div> <p style="margin-top: 20px;"> <b>Title (職務):</b> _____ ASSISTANT-MANAGER _____                     </p> <p style="margin-top: 10px;"> <b>Signature (簽字):</b> _____ <i>Van Lee</i> _____                     </p> <p style="text-align: right; margin-top: 10px;">                         Date: 06 / 02 / 2016                     </p>	