

PANDUIT TOOL NO.	INSTALLS * THE FOLLOWING CABLE TIE CROSS-SECTION **	WEIGHT/PC	
		OZ	GRAMS
GTH-E	S, HS, LH, H	11.9	337

(A)

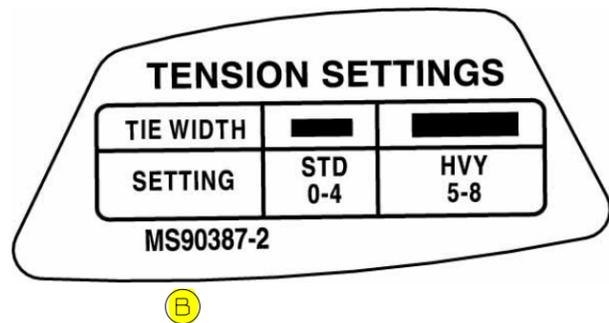
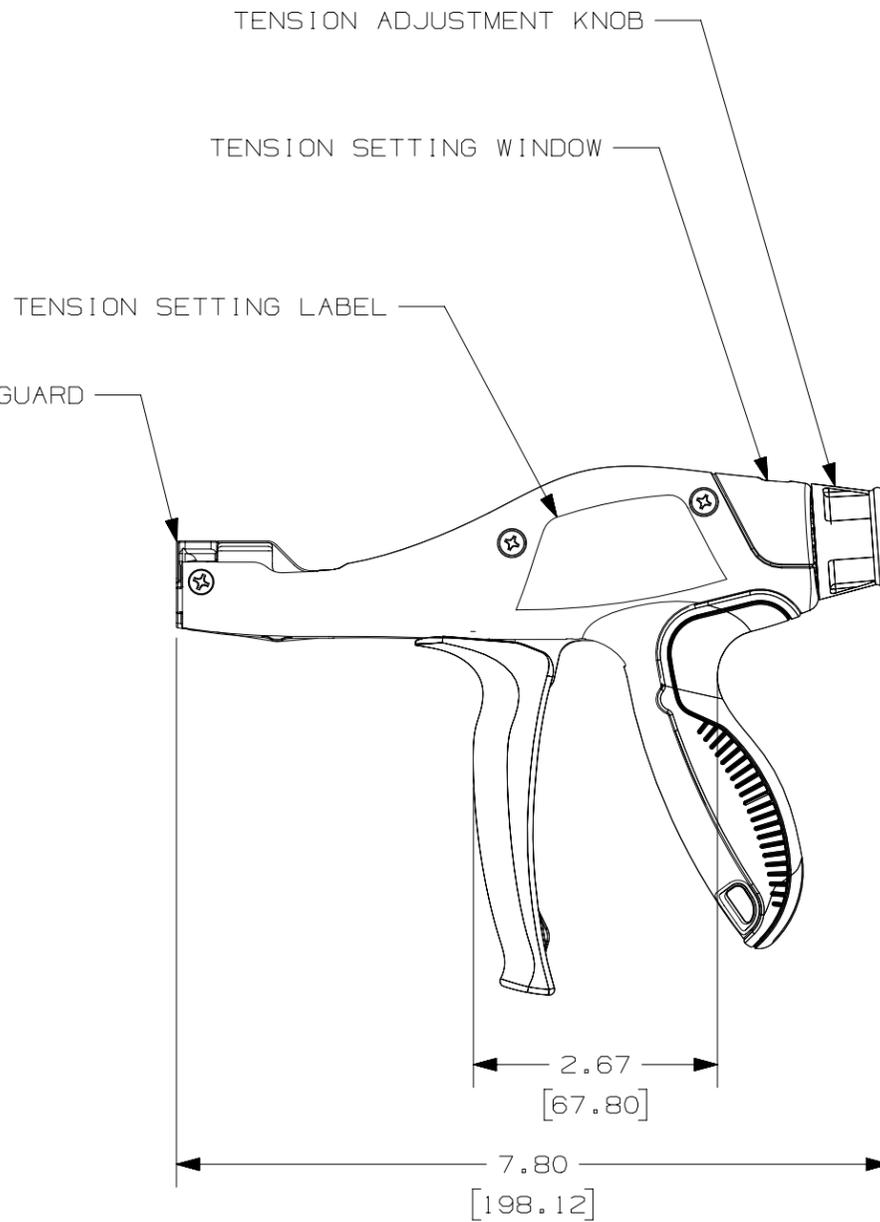
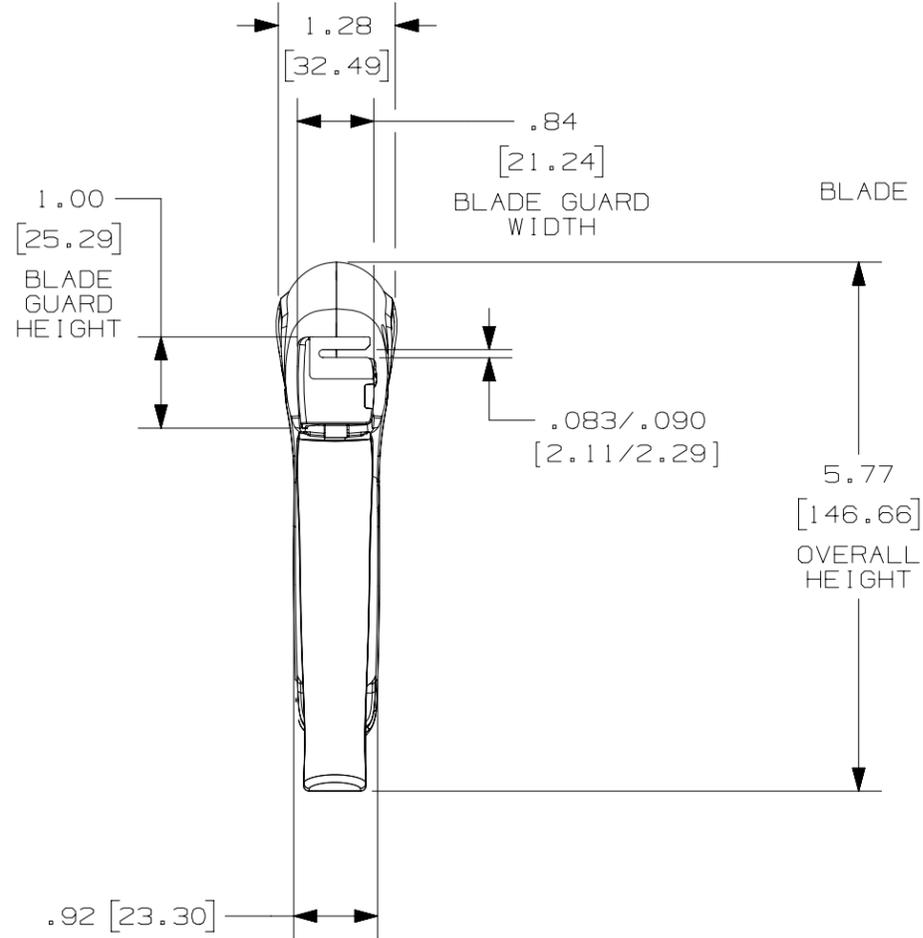
NOTES, UNLESS OTHERWISE SPECIFIED:

RoHS COMPLIANT.

* THIS TOOL TIGHTENS CABLE TIES AND CUTS OFF EXCESS PORTION WHEN PRESET TENSION IS ATTAINED.

** CABLE TIE CROSS-SECTION CODE:
 S = STANDARD
 HS = HEAVY STANDARD (CONTOUR-TY)
 LH = LIGHT HEAVY
 H = HEAVY

DIMENSIONS IN BRACKETS ARE METRIC.



REV	DATE	BY	CHK	APR	DESCRIPTION	ECN
02	9-7-16	JEH	ABJ	JADE	ADDED: (B) MIL SPEC NUMBER TO THE LABEL	10636
01	10-29-15	JEH	ABJ	ABJ	WAS: (A) 11.72 oz, 333 GRAMS	4849

TITLE		CD, GTH-E	
ITEM REVISION NAME		Customer/Military Drawing	
DATASET FILE NAME		R27577AA/02	
DATASET FILE NAME		R27577AA_DS_WH27577B01/02A	
UNLESS OTHERWISE SPECIFIED, DIMENSIONAL TOLERANCES ARE: IN [mm]		MATERIAL:	
.x ± .1 [2.54]		.xxx ± .005 [.127]	
.xx ± .01 [.25]		ANGLES ± 5°	
THIRD ANGLE PROJECTION		DRAWING NUMBER:	
THIRD ANGLE PROJECTION		WH27577B01	
DRAWN BY	DATE	CHK	SCALE
JEH	1-26-15	ABJ	1:2
SHT 1 OF 1			SIZE
SHT 1 OF 1			B