

A26

2U Active Air Cooler

PRODUCT SPECIFICATIONS

Table of Contents

1. PRODUCT DESCRIPTION	2
2. THERMAL PERFORMANCE CURVE.....	4
3. DIMENSION DRAWINGS.....	5
5. RoHS CERTIFICATE.....	6

Model Number: A26

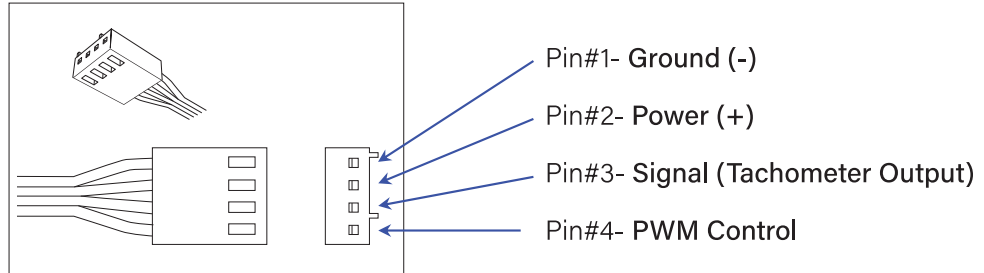
- AMD® Ryzen Threadripper Processor, Socket sWRX8, sTRX4, TR4, and AMD® Epyc Processor Socket SP3
- Active Cooler for 2U Server and up

Overall Specification

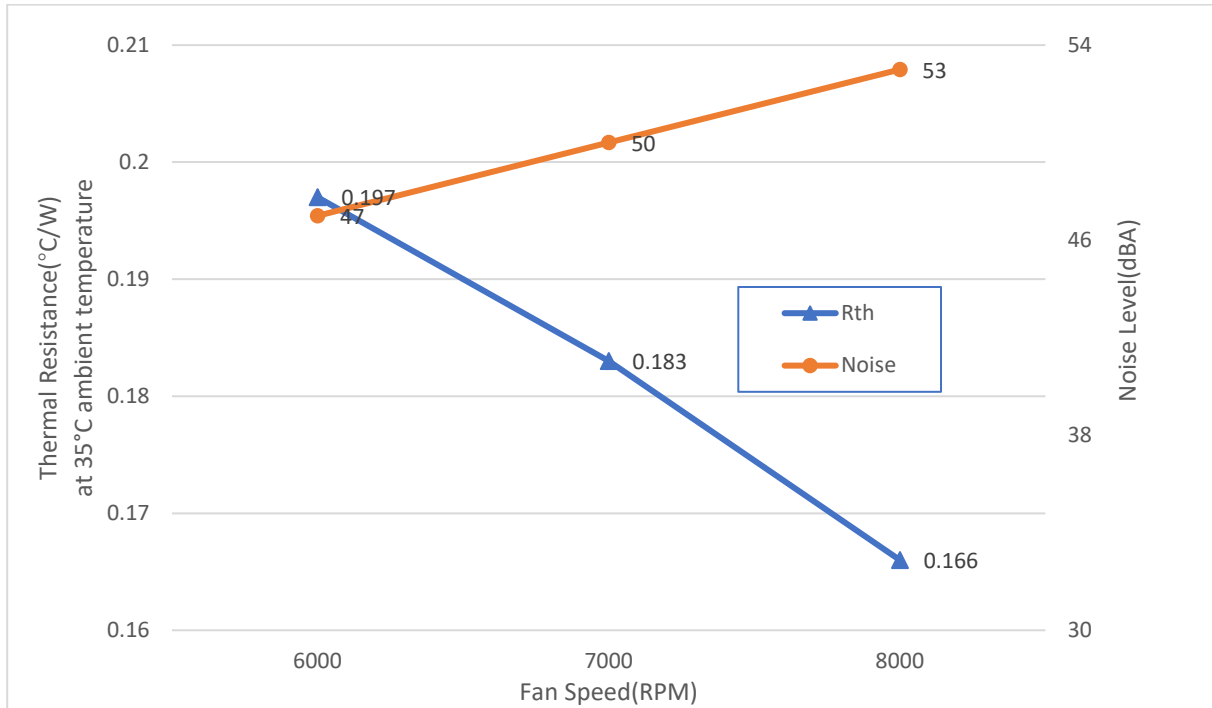
Dimension	119 x 79 x 65 mm
Weight	450 g
Material	Aluminum Heatsink with Heatpipe Embedded
Fan	6025 Axial PWM Fan for Heat Exhausting
Mounting Method	Convenient Heat Sink Screw Captive Mounting
Thermal Grease	Shin-Etsu 7762 pre-printed
TDP	Support CPU Power up to 280 Watts Heat Dissipation

Fan Specification

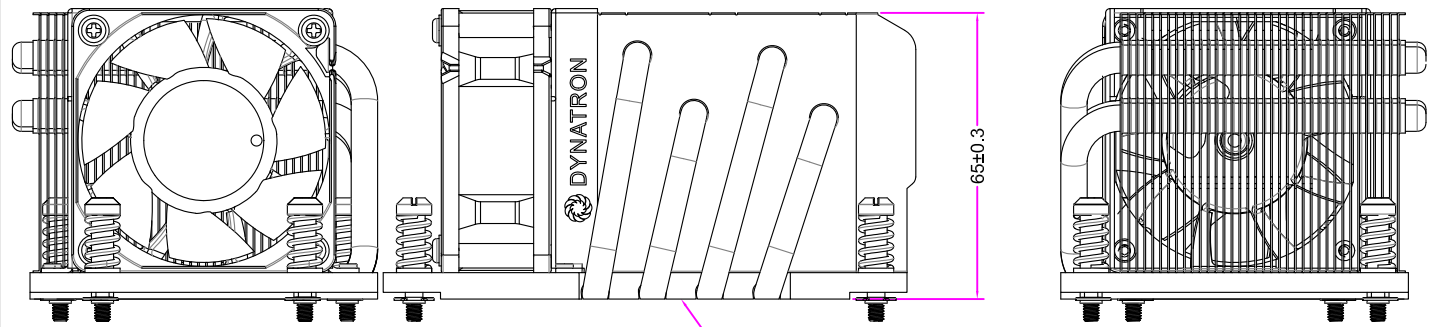
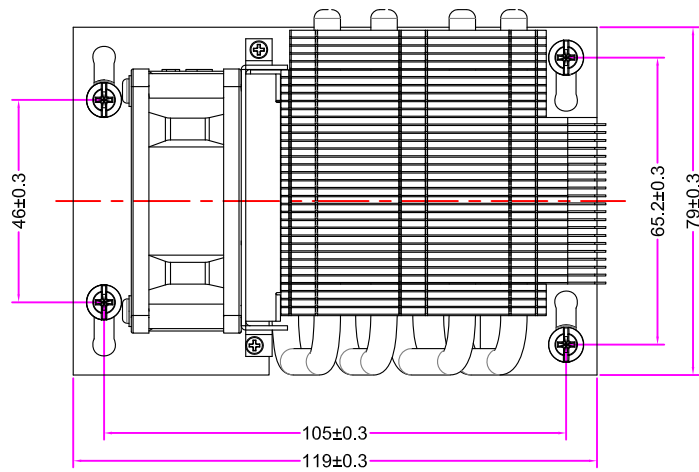
Model Number	DF126025BH-PWM
Dimension	60 x 60 x 25 mm
Bearing	Double Ball
Rated Voltage	12V
Rated Speed	At Duty Cycle 0~20%: 1600 ± 200 RPM At Duty Cycle 50%: 4000 ± 10% RPM At Duty Cycle 100%: 8000 ± 10% RPM
Input Power	At Duty Cycle 0~20%: 1.20 W At Duty Cycle 50%: 2.28 W At Duty Cycle 100%: 7.20 W
Maximum Airflow	At Duty Cycle 0~20%: 9.28 CFM At Duty Cycle 50%: 23.21 CFM At Duty Cycle 100%: 46.41 CFM
Rated Static Pressure	At Duty Cycle 0~20%: 0.76 mm-H2O At Duty Cycle 50%: 4.76 mm-H2O At Duty Cycle 100%: 19.04 mm-H2O
Acoustical Noise	At Duty Cycle 0~20%: 18 dBA At Duty Cycle 50%: 37.9 dBA At Duty Cycle 100%: 53 dBA
Lead Wire Pin Out	Pin#1- Black(-) Pin#2- Yellow(+) Pin#3- Green(Tachometer/ Signal Output) Pin#4- Blue (PWM)

A26 | Socket sTRX4/TR4/ SP3**Lead Wire Pin Out Diagram :**

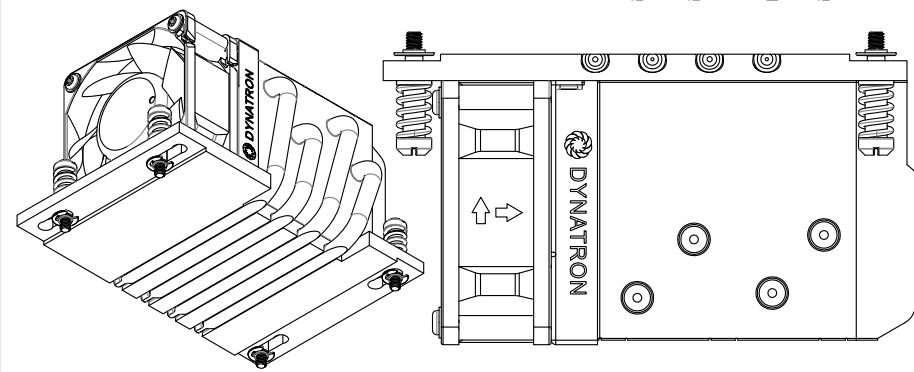
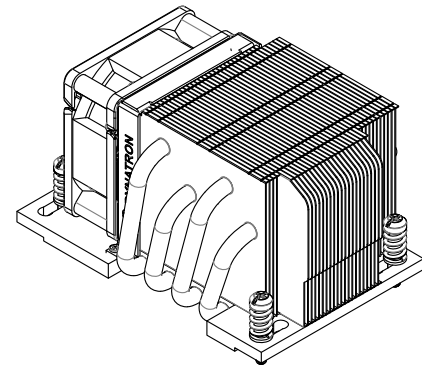
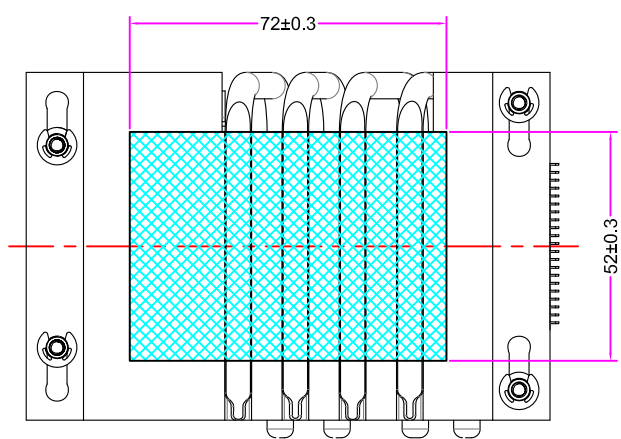
Performance Chart: Active Cooler A26 Thermal Resistance Cooling Performance vs. Fan Speed



REV#	DESCRIPTION	CHECKER	DATE
0.0	INITIAL RELEASE	LANG	05/31/2017
1.0	HEATSINK BASE DESIGN CHANGE	LANG	07/13/2017



0.10
Ra <1.2
MILL



ITEM#	DESCRIPTION	MATERIAL	QTY.
10	THERMAL GREASE	SHIN-ETSU 7762	1
9	SCREW, FAN MOUNTING	STEEL	4
8	FAN, DF126025BH+PWM (8000 RPM)	PLASTIC	1
7	FAN BRACKET	ALUMINUM	1
6	SCREW, FAN BRACKET MOUNTING	STEEL	2
5	C-RING	STEEL	4
4	SPRING, 12mm LENGTH (0950)	SUS 304	4
3	HEATSINK	HEATPIPE/ALUMINUM BASE/ALUMINUM STACKED FIN	1
2	WASHER	STEEL	4
1	HEATSINK SCREW	STEEL	4

	NAME	DATE
DRAWN BY	enr	07/13/2017
CHECKED BY	LANG	07/13/2017
ENG. APPROVED		
MFG. APPROVED	-	-



DYNATRON CORPORATION

TOP MOTOR

TITLE: 2U Active Cooler **A26**
BOM & Overall Dimension Drawing

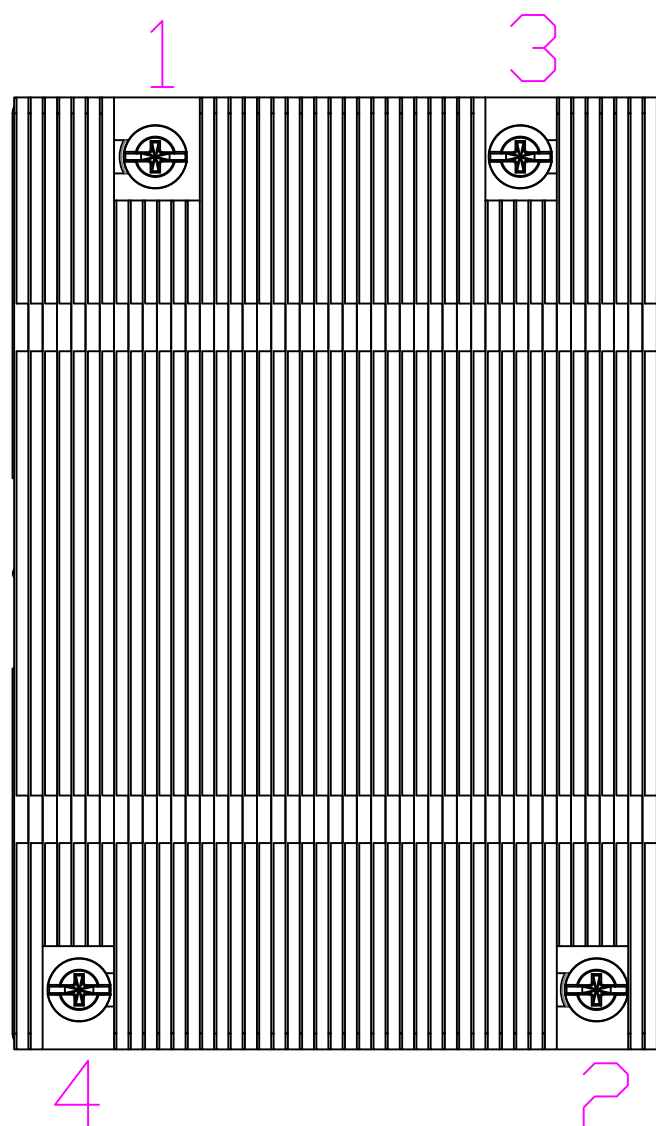
CONFIDENTIAL DOCUMENT
THIS DRAWING CONTAINS INFORMATION PROPRIETARY TO DYNATRON CORPORATION AND DYNAEON INDUSTRIAL CO., LTD. ANY REPRODUCTION, DISCLOSURE, OR USE OF THIS DRAWING IS EXPRESSLY PROHIBITED EXCEPT AS DYNATRON CORPORATION AND DYNAEON INDUSTRIAL CO., LTD. MAY OTHERWISE AGREE TO IN WRITING.

VIEW	
UNITS	MM

DWG. No: **DYN-BD-A26**

REV. **1.0**

SOCKET SP3/TR4/sTRX4/sWRX8 COOLER INSTALLATION INSTRUCTION



HEATSINK ASSEMBLY
ORDER 1,2,3,4

HEATSINK DISASSEMBLY
ORDER 4,3,2,1

TORQUE = 6.1 KG -CM MAX

ALL SCREWS SHOULD BE
TIGHTENED/RELEASED EVENLY, AVOIDING
TIGHTENING/RELEASING ANY SCREWS TO THE
BOTTOM/TOP AT ONCE



Certificate of Environment Protection 環保證明書

Document Number: RH_A26-R0

Customer: 客戶名稱:	Company: _____ Address: _____ Phone Number: ____ - ____ - _____
Issue Date:	05/31/2017
Product Model Number:	A26
<p>Dynatron Corporation hereby declares and certifies that all components manufactured are RoHS compliant according to the definitions and restrictions given by the European Union's Restriction (Directive 2002/95/EC) (Decision2011/65/EU)RoHS 2, on the restriction of the use of certain Hazardous Substances in the electrical and electronic equipment. Also, compliance to the most recent list of substances on the REACH candidate list.</p> <p>Number of substances on the Candidate List: 168 (last updated: 17/12/2015)</p> <p>No exemptions are claimed in order for the part to be compliant with the RoHS directive.</p> <p>Dynatron Corporation / 政久興業股份有限公司證明所有產品,零件 (包括附屬品, 包裝類) 之環境管理物質完全符合 RoHS, WEEE, 及該環保標準之規定, 並承諾遵循以上之證明.</p> <div style="text-align: right; margin-top: 20px;"> <p>Dynatron Corporation. 33200 Western Ave, Union City, CA 94587 www.Dynatron-corp.com</p> </div> <p style="margin-top: 20px;"> Title (職務): _____ ASSISTANT-MANAGER _____ </p> <p style="margin-top: 10px;"> Signature (簽字): _____ <i>Alan Lee</i> _____ </p> <p style="text-align: right; margin-top: 10px;"> Date: 05 / 31 / 2017 </p>	