



B13

2U Active Air Cooler

PRODUCT SPECIFICATIONS

Table of Contents

1. PRODUCT DESCRIPTION	2
2. THERMAL PERFORMANCE CURVE	4
3. DM DRAWING	5
4. EP DRAWING	6
5. RoHS CERTIFICATE	7

Model Number: B13

- Intel® Xeon® Platinum / Gold / Silver/ Bronze Family Processor, Socket FCLGA3647; products formerly Cascade Lake, Skylake
- For Square ILM Only
- Active Cooler for 2U Server and up

Overall Specification

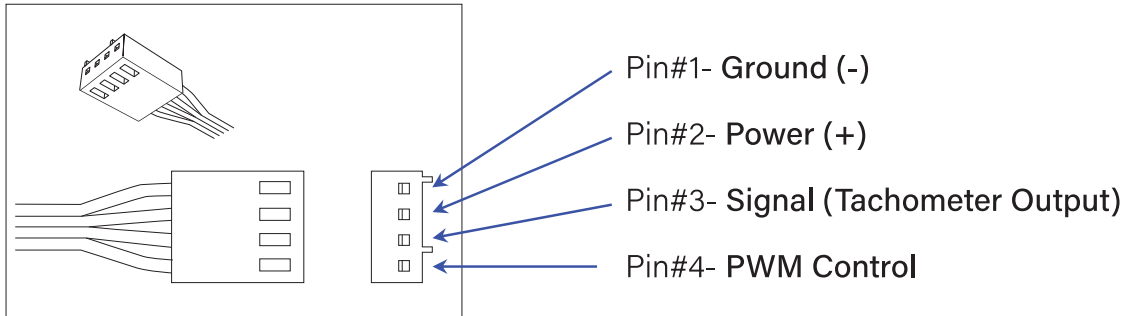
Dimension	90 x 90 x 66 mm
Weight	430g
Material	Aluminum Heatsink with Heatpipe Embedded
Fan	6025 Axial PWM Fan for Heat Exhausting
Mounting Method	Convenient Heat Sink Screw Captive Mounting
Package Carriers	Included for Process Installation
Thermal Grease	Shin-Etsu 7762 or Equivalent
TDP	Support CPU Power up to 205 Watts Heat Dissipation

Fan Specification

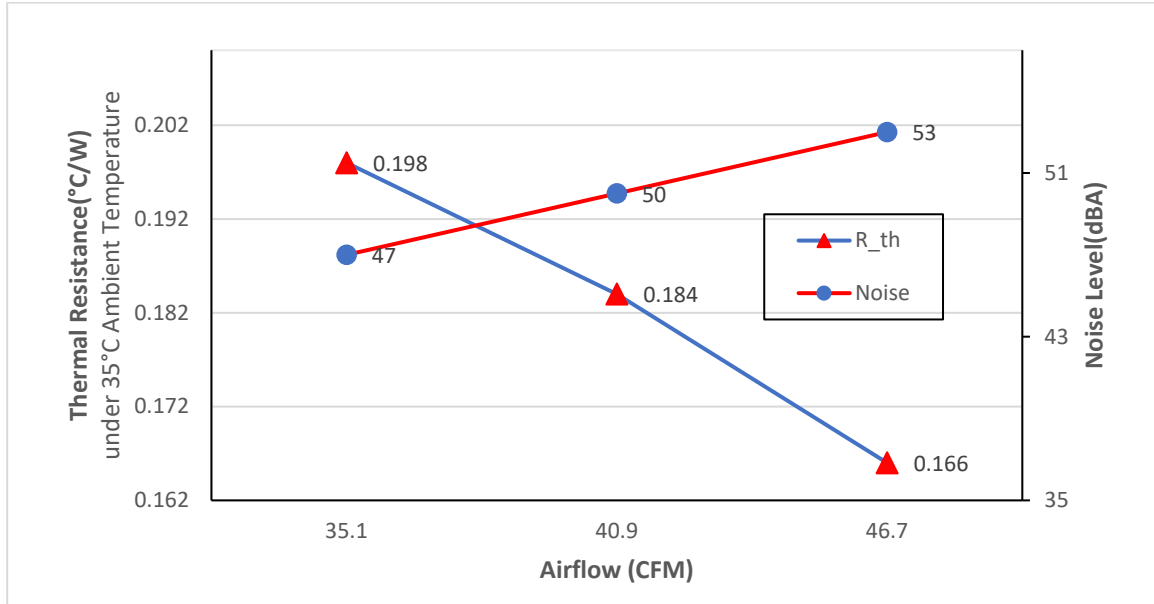
Model Number	DF126025BM-PWM
Dimension	60 x 60 x 25 mm
Bearing	Double Ball
Rated Voltage	12V
Rated Speed	At Duty Cycle 0~20%: 1400 ± 200 RPM At Duty Cycle 50%: 3400 ± 10% RPM At Duty Cycle 100%: 7000 ± 10% RPM
Input Power	At Duty Cycle 0~20%: 0.9 W At Duty Cycle 50%: 2.04 W At Duty Cycle 100%: 5.40 W
Maximum Airflow	At Duty Cycle 0~20%: 8.12 CFM At Duty Cycle 50%: 20.31 CFM At Duty Cycle 100%: 40.60 CFM
Rated Static Pressure	At Duty Cycle 0~20%: 0.58 mm-H2O At Duty Cycle 50%: 3.65 mm-H2O At Duty Cycle 100%: 14.58 mm-H2O
Acoustical Noise	At Duty Cycle 0~20%: 16 dBA At Duty Cycle 50%: 35 dBA At Duty Cycle 100%: 50 dBA
Lead Wire Pin Out	Pin#1- Black(-) Pin#2- Yellow(+) Pin#3- Green(Tachometer/ Signal Output)

Pin#4- Blue (PWM)01

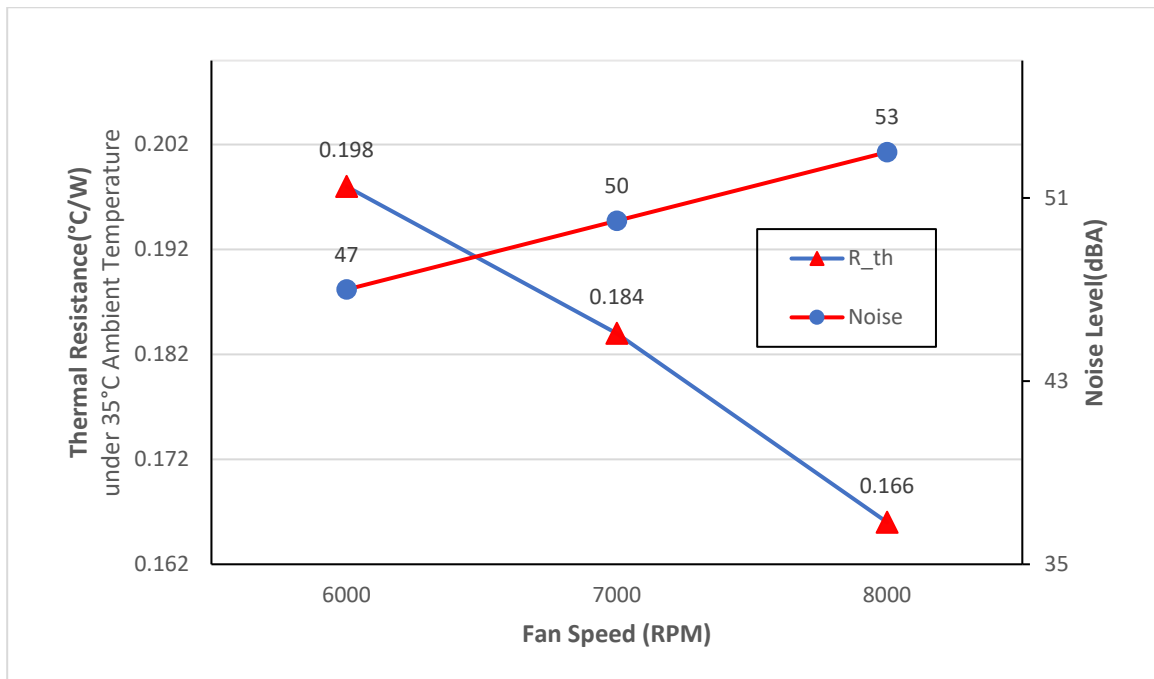
Lead Wire Pin Out Diagram



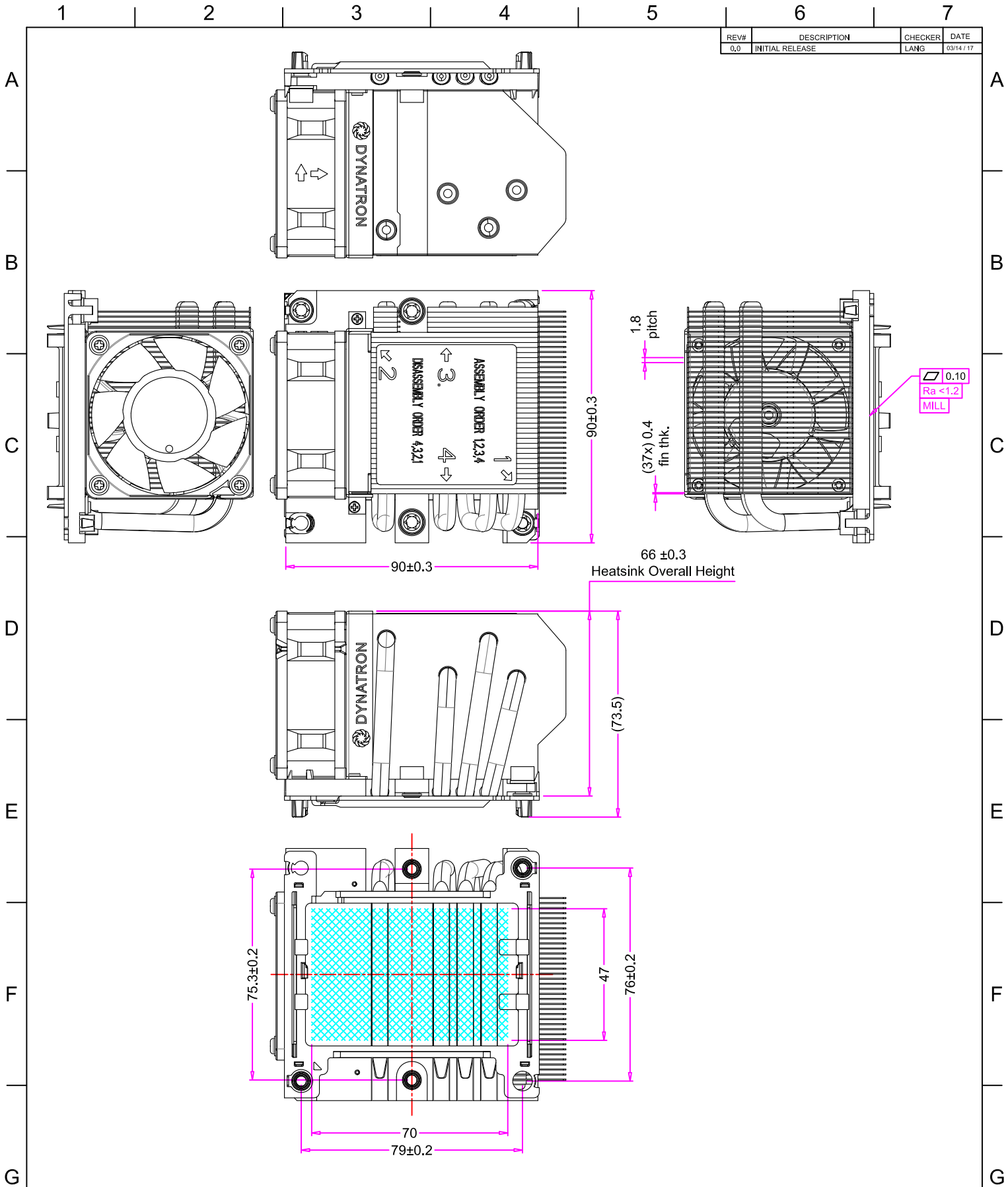
Performance Chart: Active Cooler B13 Thermal Resistance Cooling Performance vs. Airflow



Cooling Performance vs. Fan Speed



REV#	DESCRIPTION	CHECKER	DATE
0,0	INITIAL RELEASE	LANG	03/14/17



	NAME	DATE
DRAWN BY	ENGR	03/14/2017
CHECKED BY	LANG	03/14/2017
ENG. APPROVED		
MFG. APPROVED	-	-



DYNATRON CORPORATION

TOP MOTOR

TITLE: **2U Active Cooler B13**
Overall Dimension Drawing

CONFIDENTIAL DOCUMENT
THIS DRAWING CONTAINS INFORMATION PROPRIETARY TO DYNATRON CORPORATION AND DYNAEON INDUSTRIAL CO., LTD. ANY REPRODUCTION, DISCLOSURE, OR USE OF THIS DRAWING IS EXPRESSLY PROHIBITED EXCEPT AS DYNATRON CORPORATION AND DYNAEON INDUSTRIAL CO., LTD. MAY OTHERWISE AGREE TO IN WRITING.

VIEW	
UNITS	MM

DWG. No: **DYN-DM-B13**

REV. **0.0**

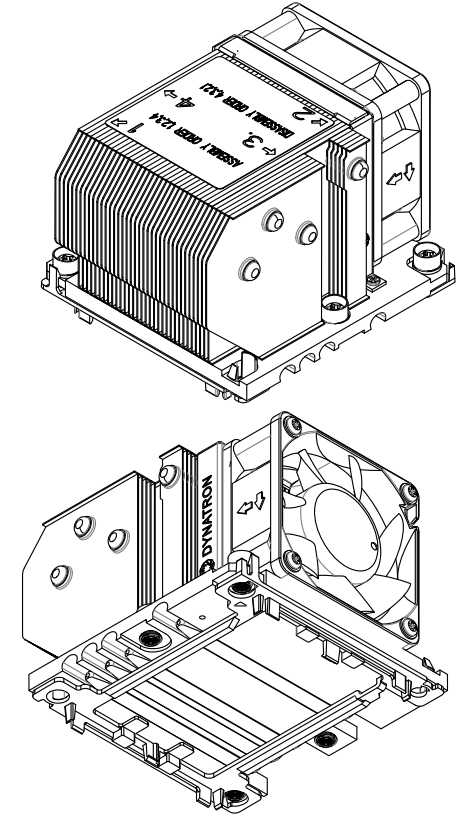
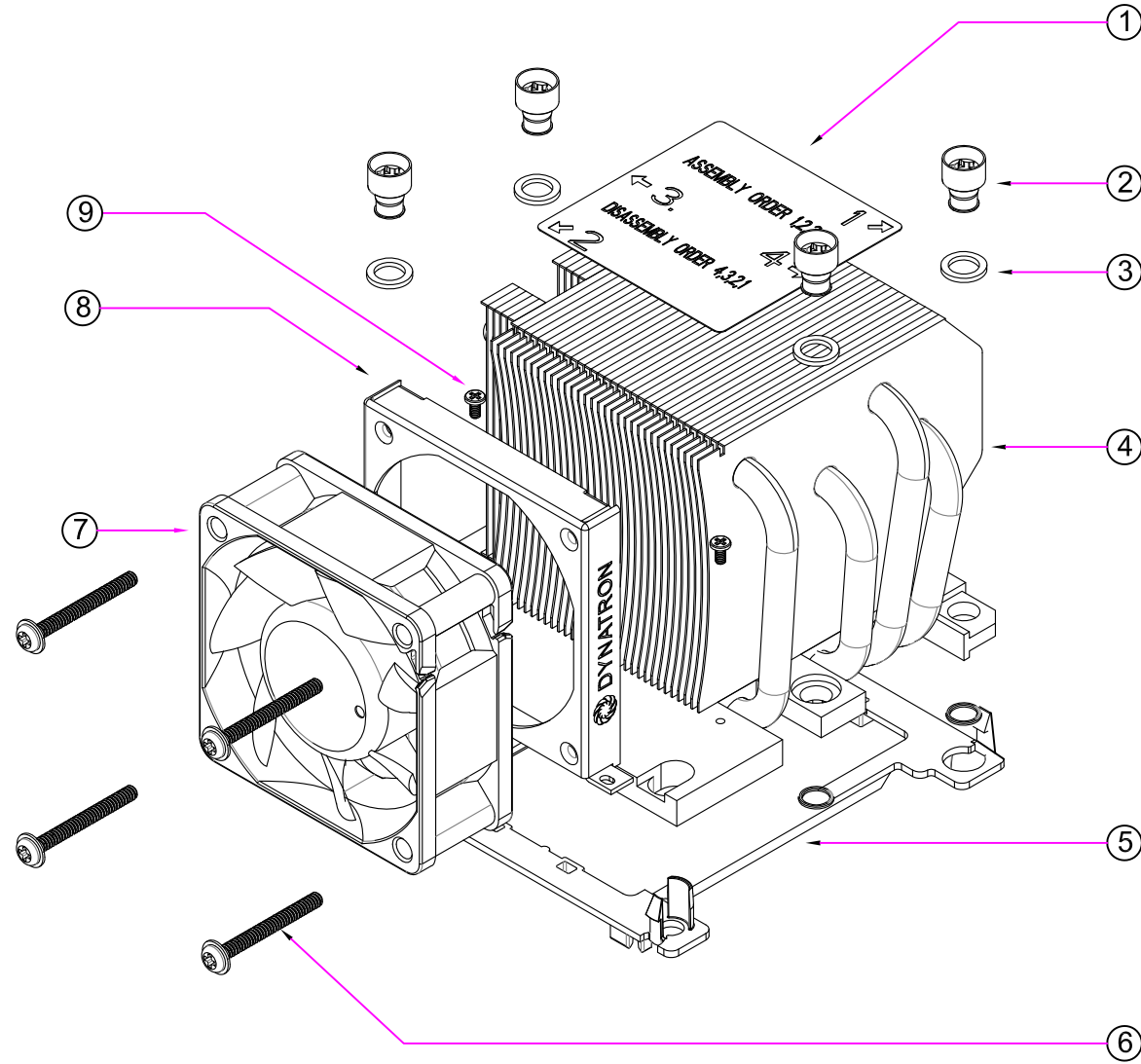
CONFIDENTIAL DOCUMENT

THIS DRAWING CONTAINS INFORMATION PROPRIETARY TO DYNATRON CORPORATION AND DYNAEON INDUSTRIAL CO., LTD. ANY REPRODUCTION, DISCLOSURE, OR USE OF THIS DRAWING IS EXPRESSLY PROHIBITED EXCEPT AS DYNATRON CORPORATION AND DYNAEON INDUSTRIAL CO., LTD. MAY OTHERWISE AGREE TO IN WRITING.

ASSEMBLY PARTS

WHOLE SET OF HEATSINK


REV#	DESCRIPTION	CHECKER	DATE
0.0	INITIAL RELEASE	LANG	03/14/2017



NOTES:

1. THE FIGURE IS FOR REFERENCE ONLY, AND NOT FOR SCALE
2. OVERALL DIMENSION : 90 x 90 x 66 mm
3. OVERALL WEIGHT : 430 g

ITEM#	DESCRIPTION	MATERIAL	QTY.
10	THERMAL GREASE, PRE-PRINTED	SHIN-ETSU 7762	1
9	SCREW, BRACKET MOUNTING	STEEL	2
8	FAN BRACKET	ALUMINUM	1
7	FAN, DF126025BM-PWM (7000RPM)	PLASTIC	1
6	SCREW, FAN MOUNTING	STEEL	4
5	INTEL PACKAGE CARRIER	PLASTIC	1
4	HEATSINK	HEATPIPES ALUMINUM BASE ALUMINUM STACKED FIN	1
3	WASHER	PLASTIC	4
2	HEATSINK NUT, M4	SS316 ANNEALED	4
1	INTEL MOUNTING LABEL	MYLAR	1

DATE	NAME	DYNATRON CORPORATION	
03/14/2017	Engr	 TITLE: 2U Active Cooler B13 BOM & Exploded Assembly Drawing	
03/14/2017	LANG		
DWG. No:		DYN-EP-B13	REV 0.0



Certificate of Environment Protection

環保證明書

Document Number: RH-B13-R0

Customer: 客戶名稱:	Company: _____ Address: _____ Phone Number: _____ - _____ - _____
Issue Date:	06/02/2016
Product Model Number:	B13
<p>Dynatron Corporation hereby declares and certifies that all components manufactured are RoHS compliant according to the definitions and restrictions given by the European Union's Restriction (Directive 2002/95/EC) (Decision2011/65/EU)RoHS 2, on the restriction of the use of certain Hazardous Substances in the electrical and electronic equipment. Also, compliance to the most recent list of substances on the REACH candidate list.</p> <p>Number of substances on the Candidate List: 168 (last updated: 17/12/2015)</p> <p>No exemptions are claimed in order for the part to be compliant with the RoHS directive.</p> <p>Dynatron Corporation / 政久興業股份有限公司證明所有產品,零件 (包括附屬品, 包裝類) 之環境管理物質完全符合 RoHS, WEEE, 及該環保標準之規定, 並承諾遵 循以上之證明.</p> <p style="text-align: right;">Dynatron Corporation. 33200 Western Ave, Union City, CA 94587 www.Dynatron-corp.com</p> <p>Title (職務): _____ ASSISTANT-MANAGER _____</p> <p>Signature (簽字): _____  _____</p> <p style="text-align: right;">Date: 06 / 02 / 2016</p>	