



DYNATRON

The Thermal Solution Architect

WWW.DYNATRON.CO

Product Spec Sheet

B8

Table of Contents

1. Product Description	3
2. Thermal Performance Curve	3
3. DM Drawing	4
4. EP Drawing	5
5. RoHS Certificate.....	6

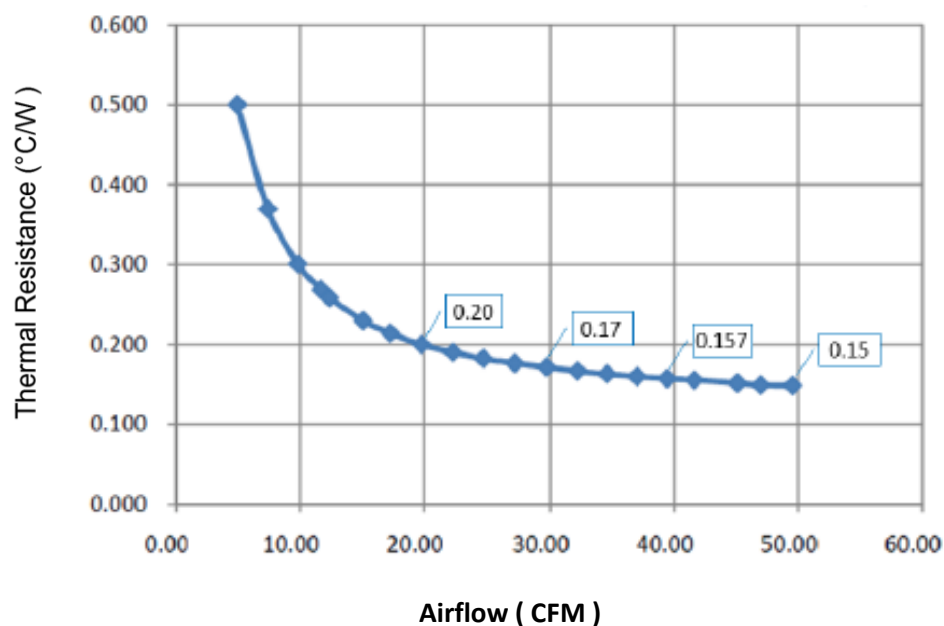
Application :

- Recommend for Intel® Xeon® Platinum / Gold Family Processor (Products formerly Skylake), Socket FCLGA3647
- **For Narrow ILM Only**
- Passive Cooler for 2U Server and up

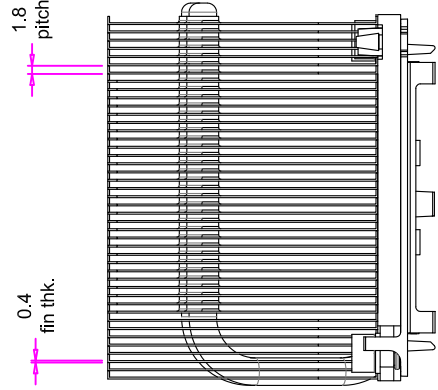
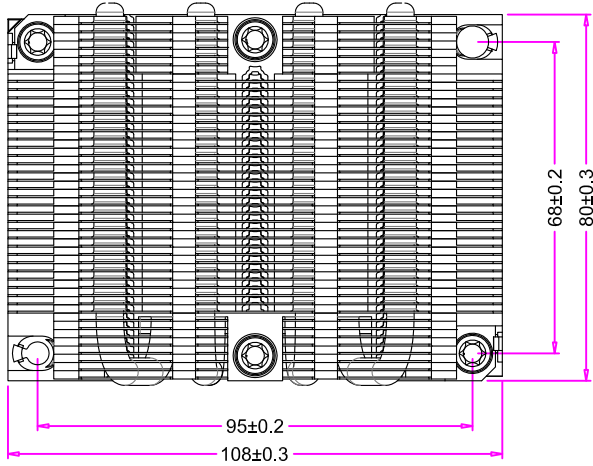
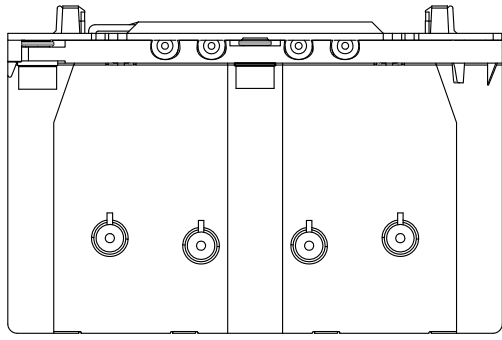
Overall Specification :

- Dimension: 108 x 80 x 64 mm
- Weight: 600 g
- Material : Copper1100 Base, Aluminum Stacked Fin wit Heatpipe Embedded
- Convenient Heat Sink Screw captive mounting
- Thermal Grease Shin-Etsu 7762 or Equivalent
- Support CPU power up to 205 Watts heat dissipation
- Includes both Fabric and Non-Fabric Package Carriers

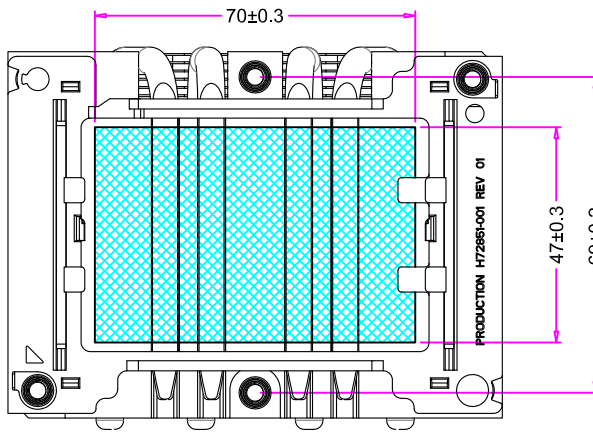
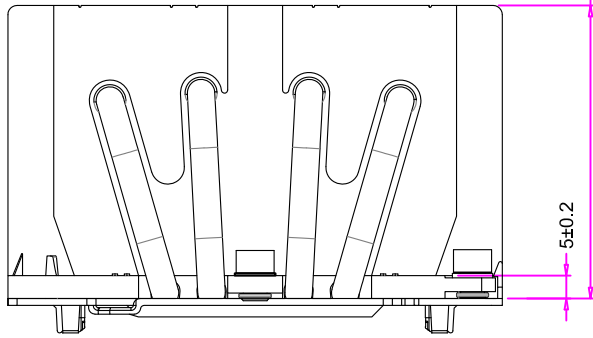
Passive Cooler B8 Thermal Performance Curve :



REV#	DESCRIPTION	CHECKER	DATE
0.0	INITIAL RELEASE	LANG	01/13/17



64±0.3
Heatsink Overall Height



	NAME	DATE
DRAWN BY	enr	01/13/2017
CHECKED BY	LANG	01/13/2017
ENG. APPROVED		
MFG. APPROVED	-	-



DYNATRON CORPORATION

TOP MOTOR

TITLE: 2U Passive Cooler **B8**
Overall Dimension Drawing

CONFIDENTIAL DOCUMENT

THIS DRAWING CONTAINS INFORMATION PROPRIETARY TO DYNATRON CORPORATION AND DYNAEON INDUSTRIAL CO., LTD. ANY REPRODUCTION, DISCLOSURE, OR USE OF THIS DRAWING IS EXPRESSLY PROHIBITED EXCEPT AS DYNATRON CORPORATION AND DYNAEON INDUSTRIAL CO., LTD. MAY OTHERWISE AGREE TO IN WRITING.

VIEW	
UNITS	MM

DWG. No:

DYN-DM-B8

REV.
0.0

1 2 3 4 5 6 7

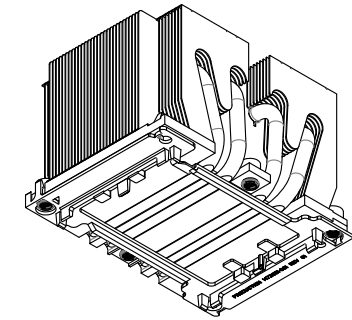
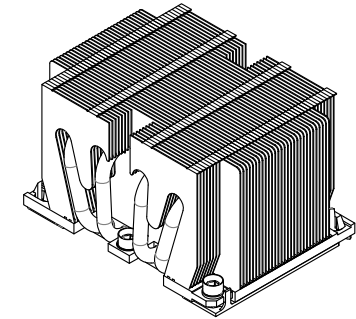
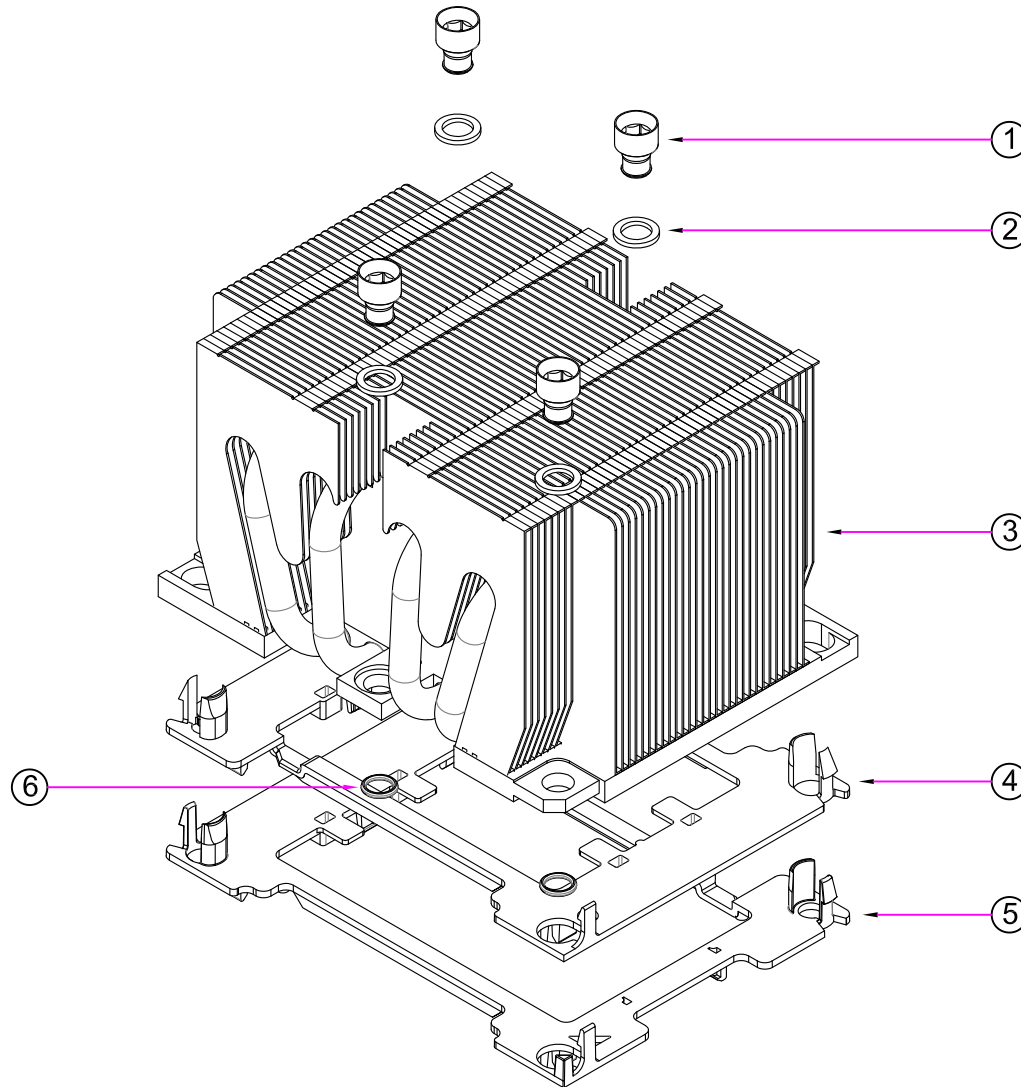
CONFIDENTIAL DOCUMENT

THIS DRAWING CONTAINS INFORMATION PROPRIETARY TO DYNATRON CORPORATION AND DYNAEON INDUSTRIAL CO., LTD. ANY REPRODUCTION, DISCLOSURE, OR USE OF THIS DRAWING IS EXPRESSLY PROHIBITED EXCEPT AS DYNATRON CORPORATION AND DYNAEON INDUSTRIAL CO., LTD. MAY OTHERWISE AGREE TO IN WRITING.

REV#	DESCRIPTION	CHECKER	DATE
0.0	INITIAL RELEASE	LANG	01/13/2017

ASSEMBLY PARTS


WHOLE SET OF HEATSINK



ITEM#	DESCRIPTION	MATERIAL	QTY.
7	THERMAL GREASE, PRE-PRINTED	SHIN-ETSU 7762	1
6	CALLAR	NY66 A205F	4
5	INTEL PACKAGE CARRIER (AS SHOWN NARROW FABRIC)	PLASTIC	1
4	INTEL PACKAGE CARRIER (AS SHOWN NARROW NON-FABRIC)	PLASTIC	1
3	HEATSINK	HEATPIPES COPPER 1100 BASE ALUMINUM STACKED FIN	1
2	WASHER	PLASTIC	4
1	HEATSINK NUT, M4	SS316 ANNEALED	4

NOTES:

1. THE FIGURE IS FOR REFERENCE ONLY, AND NOT FOR SCALE
2. OVERALL DIMENSION : 108 x 80 x 64mm
3. OVERALL WEIGHT : 600g

DATE	NAME	DYNATRON CORPORATION	
01/13/2017	Engr	 TITLE: 2U Passive Cooler B8 BOM & Exploded Assembly Drawing	
01/13/2017	LANG		
COMMENTS:		DWG. No:	DYN-EP-B8
			REV 0.0



Certificate of Environment Protection

環保證明書

Customer: 客戶名稱:	Company: _____ Address: _____ Phone Number: ____ - ____ - _____
Issue Date:	06/02/2016
Product Model Number:	B8
<p> Dynatron Corporation hereby declares and certifies that all components manufactured are RoHS compliant according to the definitions and restrictions given by the European Union's Restriction (Directive 2002/95/EC) (Decision2011/65/EU)RoHS 2, on the restriction of the use of certain Hazardous Substances in the electrical and electronic equipment. Also, compliance to the most recent list of substances on the REACH candidate list. </p> <p> Number of substances on the Candidate List: 168 (last updated: 17/12/2015) </p> <p> No exemptions are claimed in order for the part to be compliant with the RoHS directive. </p> <p> Dynatron Corporation / 政久興業股份有限公司證明所有產品,零件 (包括附屬品, 包裝類) 之環境管理物質完全符合 RoHS, WEEE, 及該環保標準之規定, 並承諾遵循以上之證明. </p> <div style="text-align: right; margin-top: 20px;"> <p> Dynatron Corporation. 33200 Western Ave, Union City, CA 94587 www.Dynatron-corp.com </p> </div> <p style="margin-top: 20px;"> Title (職務): _____ ASSISTANT-MANAGER _____ </p> <p style="margin-top: 10px;"> Signature (簽字): _____ <i>Alan Lee</i> _____ </p> <p style="text-align: right; margin-top: 10px;"> Date: 06 / 02 / 2016 </p>	

Document Number: RH_B8-R0