

Gateways and Energy Servers

Presentation for Customers

James Jeanette | Bobbie Jo Meredith

October 2015

Power Management
Solutions

Schneider
Electric

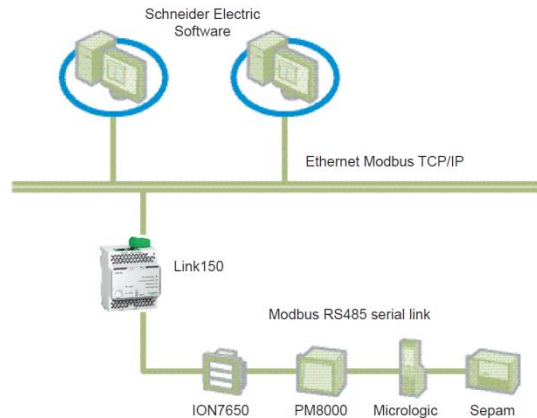
Products Overview

Gateways | Link150

Gateways and Energy Servers Portfolio

Function

The Link150 serves as an Ethernet Gateway for Powerlogic system devices and any other communicating devices utilizing the Modbus protocol. The Link150 gateway offers complete access to status and measurement information provided by the connected devices via software.



Gateways | Link150

Gateways and Energy Servers Portfolio

Main Features

The main features of the Link150 are:

- Transparent Gateway for MODBUS TCP to MODBUS RTU
- High performance communication
- Two (2) Ethernet ports for daisy chain ethernet
- RS232 serial port & RS485 serial port for serial connection
- Setup through convenient built-in web pages
- Compliant with electrical switchboard environment (temperature, electromagnetic compatibility)
- 4 supported transfer protocols: HTTP, HTTPS, FTP, and SNMP
- IPV6 Support
- 24V DC and/or POE power supply



Gateways | Link150

Gateways and Energy Servers Portfolio – Coming in **October 2015**



From a single building, to a multi-site enterprise, the **Link 150** provides fast, reliable Ethernet connectivity in the most demanding applications:

- Energy management
- Power distribution
- Building automation
- Factory automation

“simple, cost effective serial line to Ethernet connectivity”



Easy to install. Easy to setup. Easy to maintain.



Compatible with PowerLogic Software. {PowerSCADA Expert, Power Monitoring Expert, etc.}



Reliable Modbus to Ethernet Protocol Conversion.



Easy to install. Easy to setup. Easy to maintain.

Install

- Self Grounding Din Rail Mount
- Plug & Play Connectors
- Power Over Ethernet eliminates the need for CPTs, disconnects, and AC-DC power supplies, while greatly reducing installation time.

Setup

- All setup through web pages – no customer software to install
- DHCP for dynamic IP address
- IPV6 link local address supported
- DPWS – Automatically find the Link150 through Windows Network Settings

Maintain

- Field upgradable firmware lets you add new features while reducing costly downtime
- Communication errors and network information available on web pages
- No regular maintenance required on the hardware



Compatible with PowerLogic Software. {PowerSCADA Expert, Power Monitoring Expert, etc.}

TVDA**

- **Tested, Validated, Documented Architectures
- PowerScada Expert
- Power Monitoring Expert



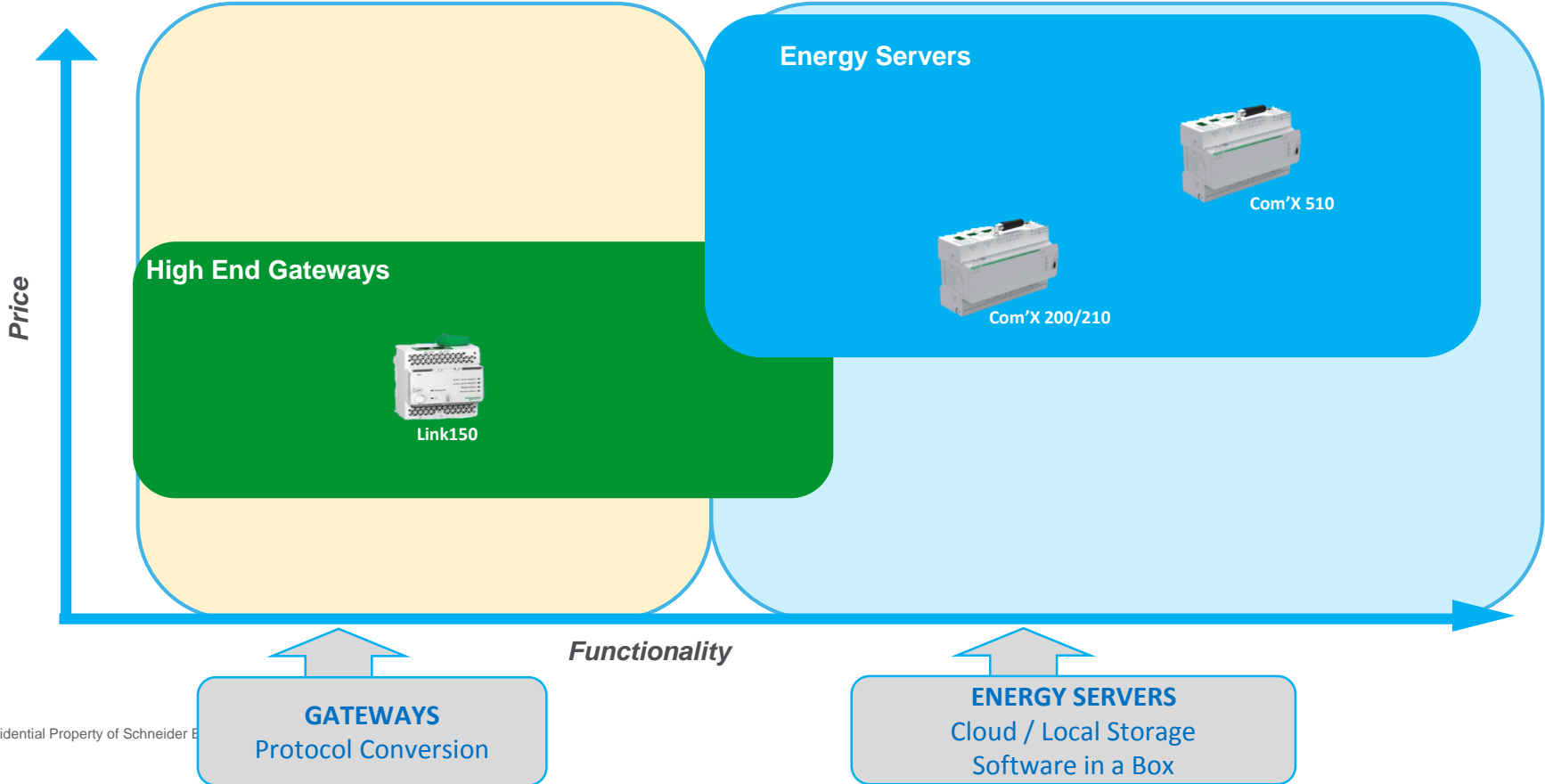
Reliable Modbus to Ethernet Protocol Conversion.

Reliable

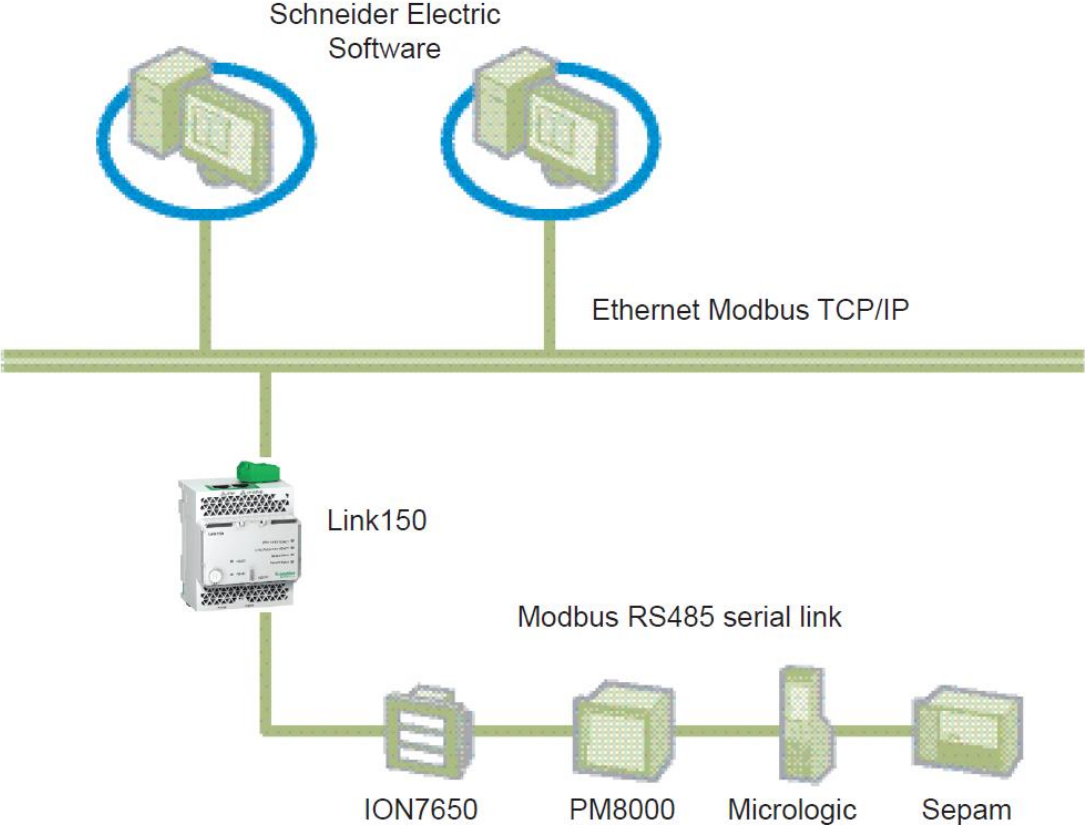
- Tested, Validated, Documented Architectures
- Transparent gateway for any modbus device
- System Technical Note – Document describing best practices and device qty per modbus serial line.

Positioning

Gateway & Energy Server Portfolio



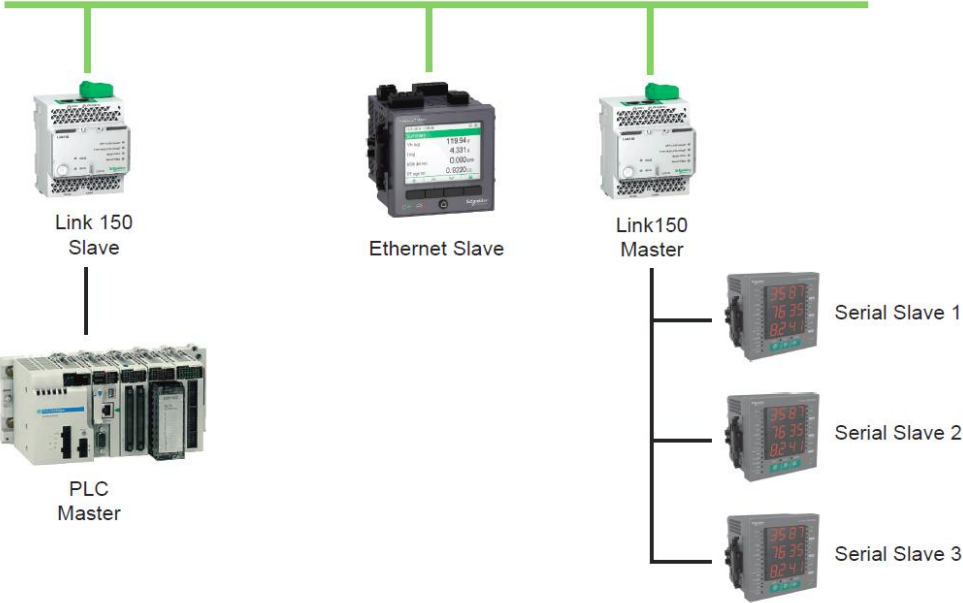
Gateways | Link150 > Architecture – Master Mode



Gateways | Link150 > Architecture – Slave Mode

Slave Mode:

Serial Master can address downstream slaves over Ethernet.
In the example below the PLC master can either address the Ethernet Slave or the Serial Slaves.



Gateways | Link150 > Serial Port

- Device Name
- Network Configuration**
 - Ethernet Configuration (Dual port)
 - IP Configuration
 - Advanced Ethernet Settings
 - MBTCP/IP Filtering
 - Serial Port**
- Date/Time Configuration**
 - Date and Time
- Device Configuration**
 - Device List

Serial Port

Serial Port Settings

Mode(Device reboots on mode change) : Slave

Physical Interface : RS485 4-wire

Transmission Mode : Modbus RTU

Baud Rate : 9600

Parity : Even

Termination : Enabled

Biasing : Enabled

Response Timeout : 3 (Seconds)

Apply Cancel

Remote Device Connections

1	10	179	90	80
---	----	-----	----	----

Gateways | Link150 > Device List



Monitoring Control **Diagnostics** Maintenance Configuration & Settings

- MBTCP/IP Filtering
- Serial Port
- Date/Time Configuration**
 - Date and Time
- Device Configuration**
 - Device List**
- Other Configuration**
 - SNMP Parameters
 - Advanced Services Control
 - User Accounts
 - Webpage Access

Device List

Number of Viewable Devices:

Connection	Device Name	Local ID	Remote ID
Select ▼	<input type="text"/>	<input type="text"/>	
Select ▼	<input type="text"/>	<input type="text"/>	
Select ▼	<input type="text"/>	<input type="text"/>	
Select ▼	<input type="text"/>	<input type="text"/>	
Select ▼	<input type="text"/>	<input type="text"/>	
Select ▼	<input type="text"/>	<input type="text"/>	
Select ▼	<input type="text"/>	<input type="text"/>	
Select ▼	<input type="text"/>	<input type="text"/>	
Select ▼	<input type="text"/>	<input type="text"/>	
Select ▼	<input type="text"/>	<input type="text"/>	
Select ▼	<input type="text"/>	<input type="text"/>	
Select ▼	<input type="text"/>	<input type="text"/>	
Select ▼	<input type="text"/>	<input type="text"/>	
Select ▼	<input type="text"/>	<input type="text"/>	
Select ▼	<input type="text"/>	<input type="text"/>	
Select ▼	<input type="text"/>	<input type="text"/>	
Select ▼	<input type="text"/>	<input type="text"/>	
Select ▼	<input type="text"/>	<input type="text"/>	
Select ▼	<input type="text"/>	<input type="text"/>	
Select ▼	<input type="text"/>	<input type="text"/>	

Gateways | Link150 > Demo Information

The image displays two screenshots of the PowerView web interface. The left screenshot shows the 'Read Device Registers' configuration page. It features a sidebar with navigation options like 'General', 'Statistics', 'Product Information', 'Device Information', 'Device Health Check', and 'Read Device Registers'. The main content area includes fields for 'Device Name' (with a 'Select by Device ID' dropdown), 'Local ID' (set to 1), 'Starting Register' (set to 1000), and 'Number of Registers' (set to 10). Below these fields is a table with columns 'Register' and 'Value', and a 'Data Type' dropdown set to 'Holding Registers'. The right screenshot shows the 'Device List' page, which includes a 'Number of Viewable Devices' dropdown set to 32 and a table with columns 'Connection', 'Device Name', 'Local ID', and 'Remote ID'. Each row in the table has a 'Select' dropdown in the 'Connection' column.

Available Demo

<http://link150.myenergyserver.com>

User name | **demo**

Password | **demo**

Make the most of your energySM

