

## CAT6 Remotely Controlled Layer 1 A/B Switch, Latching

**Switch between two networks  
with this Layer 1 switch.**

SW1040A is a basic latching A/B switch and  
SW1041A is a basic latching A/B switch with RS-232 Ethernet.

**Customer  
Support  
Information**

Order toll-free in the U.S.: Call 877-877-BBOX (outside U.S. call 724-746-5500)  
FREE technical support 24 hours a day, 7 days a week: Call 724-746-5500 or fax 724-746-0746  
Mailing address: Black Box Corporation, 1000 Park Drive, Lawrence, PA 15055-1018  
Web site: [www.blackbox.com](http://www.blackbox.com) • E-mail: [info@blackbox.com](mailto:info@blackbox.com)

## Trademarks Used in this Manual

---

### Trademarks Used in this Manual

Black Box and the Double Diamond logo are registered trademarks of BB Technologies, Inc.

Any other trademarks mentioned in this manual are acknowledged to be the property of the trademark owners.

We're here to help! If you have any questions about your application or our products, contact Black Box Tech Support at **724-746-5500** or go to **blackbox.com** and click on "Talk to Black Box." You'll be live with one of our technical experts in less than 60 seconds.

### Federal Communications Commission and Industry Canada Radio Frequency Interference Statements

This equipment generates, uses, and can radiate radio-frequency energy, and if not installed and used properly, that is, in strict accordance with the manufacturer's instructions, may cause interference to radio communication. It has been tested and found to comply with the limits for a Class A computing device in accordance with the specifications in Subpart B of Part 15 of FCC rules, which are designed to provide reasonable protection against such interference when the equipment is operated in a commercial environment. Operation of this equipment in a residential area is likely to cause interference, in which case the user at his own expense will be required to take whatever measures may be necessary to correct the interference.

Changes or modifications not expressly approved by the party responsible for compliance could void the user's authority to operate the equipment.

This digital apparatus does not exceed the Class A limits for radio noise emission from digital apparatus set out in the Radio Interference Regulation of Industry Canada.

Le présent appareil numérique n'émet pas de bruits radioélectriques dépassant les limites applicables aux appareils numériques de la classe A prescrites dans le Règlement sur le brouillage radioélectrique publié par Industrie Canada.

#### Disclaimer:

Black Box Network Services shall not be liable for damages of any kind, including, but not limited to, punitive, consequential or cost of cover damages, resulting from any errors in the product information or specifications set forth in this document and Black Box Network Services may revise this document at any time without notice.

## Instrucciones de Seguridad (Normas Oficiales Mexicanas Electrical Safety Statement)

1. Todas las instrucciones de seguridad y operación deberán ser leídas antes de que el aparato eléctrico sea operado.
2. Las instrucciones de seguridad y operación deberán ser guardadas para referencia futura.
3. Todas las advertencias en el aparato eléctrico y en sus instrucciones de operación deben ser respetadas.
4. Todas las instrucciones de operación y uso deben ser seguidas.
5. El aparato eléctrico no deberá ser usado cerca del agua—por ejemplo, cerca de la tina de baño, lavabo, sótano mojado o cerca de una alberca, etc.
6. El aparato eléctrico debe ser usado únicamente con carritos o pedestales que sean recomendados por el fabricante.
7. El aparato eléctrico debe ser montado a la pared o al techo sólo como sea recomendado por el fabricante.
8. Servicio—El usuario no debe intentar dar servicio al equipo eléctrico más allá a lo descrito en las instrucciones de operación. Todo otro servicio deberá ser referido a personal de servicio calificado.
9. El aparato eléctrico debe ser situado de tal manera que su posición no interfiera su uso. La colocación del aparato eléctrico sobre una cama, sofá, alfombra o superficie similar puede bloquea la ventilación, no se debe colocar en libreros o gabinetes que impidan el flujo de aire por los orificios de ventilación.
10. El equipo eléctrico debe ser situado fuera del alcance de fuentes de calor como radiadores, registros de calor, estufas u otros aparatos (incluyendo amplificadores) que producen calor.
11. El aparato eléctrico deberá ser conectado a una fuente de poder sólo del tipo descrito en el instructivo de operación, o como se indique en el aparato.
12. Precaución debe ser tomada de tal manera que la tierra física y la polarización del equipo no sea eliminada.
13. Los cables de la fuente de poder deben ser guiados de tal manera que no sean pisados ni pellizcados por objetos colocados sobre o contra ellos, poniendo particular atención a los contactos y receptáculos donde salen del aparato.
14. El equipo eléctrico debe ser limpiado únicamente de acuerdo a las recomendaciones del fabricante.
15. En caso de existir, una antena externa deberá ser localizada lejos de las líneas de energía.
16. El cable de corriente deberá ser desconectado del cuando el equipo no sea usado por un largo periodo de tiempo.
17. Cuidado debe ser tomado de tal manera que objetos líquidos no sean derramados sobre la cubierta u orificios de ventilación.
18. Servicio por personal calificado deberá ser provisto cuando:
  - A: El cable de poder o el contacto ha sido dañado; u
  - B: Objetos han caído o líquido ha sido derramado dentro del aparato; o
  - C: El aparato ha sido expuesto a la lluvia; o
  - D: El aparato parece no operar normalmente o muestra un cambio en su desempeño; o
  - E: El aparato ha sido tirado o su cubierta ha sido dañada.

## Table of Contents

<a href="#">1. Specifications</a>	6
<a href="#">2. Introduction</a>	7
<a href="#">3. Configuration</a>	8
<a href="#">4. Installation</a>	9
<a href="#">5. Operation</a>	10
<a href="#">5.1 Manual Switching</a>	10
<a href="#">5.2 Dry Contact Closure Switching</a>	10
<a href="#">5.3 Serial RS-232 Switching</a>	10
<a href="#">5.4 Ethernet Switching</a>	11
<a href="#">5.5 Automatic Switching</a>	11
<a href="#">6. Ethernet Network Interface Setup (SW1041A Only)</a>	13
<a href="#">7. Console Commands (SW1041A Only)</a>	15
<a href="#">8. Web Interface (SW1041A Only)</a>	22
<a href="#">9. SNMP MIB Path Summary</a>	24
<a href="#">10. Traps Summary</a>	25
<a href="#">11. Syslog Messages</a>	26

# Chapter 1: Specifications

---

## 1. Specifications

Data Rates	10/100/1000 and 10G Ethernet <i>NOTE: Switch ports are transparent to data rates, formats, and protocols.</i>
Output Status Relay Contact Rating	30 VDC, 1 A maximum (resistive)
Remote Control Inputs	External dry contact not to exceed 100 ohms resistance, including cable
Switching Durability	1,000,000 operations
Switching Load	Additional 65 mA DC, Additional 20 mA (AC RMS) <i>NOTE: The switching load is applied for approximately 0.15 seconds during switching.</i>
Connectors	SW1040A: A/B Switch Ports: (3) RJ-45 CAT6, Remote Control Status Port: (1) 6-position pluggable Phoenix terminal block, Power: (1) 3.5-mm power input; SW1041A: A/B Switch Ports: (3) RJ-45 CAT6, Ethernet Control Port: (1) RJ-45, Serial Control Port: (1) DB9 F, Remote Control Status Port: (1) 6-position pluggable Phoenix terminal block, Power: (1) 3.5-mm power input
Indicators	(2) Switch Position LEDs (A and B), (1) Command Status LED
Power	100–240 VAC, 50/60-Hz wallmount power supply, 12-VDC output
Environmental	Temperature Tolerance: Operating: 32 to 104° F (0 to 40° C), Storage: -4 to 158° F (-20 to 70° C) Humidity Tolerance: Up to 95%, noncondensing Altitude: Up to 10,000 ft. (3048 m)
Dimensions	2.5"H x 6.25"W x 8.1"D (6.4 x 15.9 x 20.6 cm)
Weight	4 lb. (1.8 kg), including power supply

### 2. Introduction

The CAT6 Remotely Controlled Layer 1 A/B Switch, Latching (SW1040A) or CAT6 Remotely Controlled Layer 1 A/B Switch, Latching, Ethernet, RS-232 (SW1041A) connects port A or port B to the C (Common) port, through latching relay switch mechanisms. The connection state will be maintained if power fails or is removed.

Manual control of the switch port connection state is supported through pushbutton switches on the front of the unit. A 6-position pluggable terminal block connector on the rear of the unit provides remote control capability and accepts external dry contact closures as inputs. See Section 5.1 and Section 5.2 for additional details.

Models with Serial control capability (SW1041A) include an RS-232 console port that can be used to control the switch port connection state, as well as monitor switch status using a serial RS-232 terminal type device. See Section 5.3 and Section 7 for additional details.

Models with Ethernet control (SW1041A) include an Ethernet network interface that can be used to control the switch port connection state, as well as monitor switch status via a web browser, telnet, or using SNMP. These models also have intelligent automatic switching capabilities, and they support sending SNMP traps or syslog messages (user configurable) for various events and errors. See sections 5.4, 5.5, 7, 10, and 11 for additional details.

### 3. Configuration

There are no DIP switch or jumper settings that need to be modified in order to operate the basic functions of the A/B Switch. There are, however, several parameters related to Ethernet remote access/control and the automatic switching features that are configurable. These settings are described later in this manual.

*NOTE: The internal jumpers and DIP switches inside the A/B Switch have been pre-configured at the factory and should not be changed from their default settings. They are shown here for reference only.*

Table 3-1. Jumper settings.

Jumper	Position	Function
W1	1–2 position	no Ethernet control module (SW1040A)
	2–3 position	Ethernet control module (SW1041A)
W2	1–2 position	no Ethernet control module (SW1040A)
	2–3 position	Ethernet control module (SW1041A)

NOTE: DIP switch SW1 (resistors may be installed for “closed” positions).

Table 3-2. DIP Switch SW1 settings.

SW1 Position	Function
1 Open	Latching relays (SW1040A, SW1041A)
1 Closed	Not used
2 Open	No Ethernet control module (SW1040A)
2 Closed	Ethernet control module (SW1041A)
3–8 Open	Reserved for future use



### 4. Installation

- Find a location suitable for installing the A/B Switch, with access to AC power and the connections you intend to switch through the unit.
- If you intend to use serial control (SW1041A), connect a serial cable to the DB9 RS232 console port. The baud rate is fixed at 9600 baud, no parity, 8 data bits, and 1 stop. See table 6.1 for the console port connector pin assignments.
- If you intend to use external dry contact closures to control the A/B Switch, connect the external contacts to the 6-position terminal block as described in Section 5.2.
- Connect the provided 12-VDC power supply to an AC source and to the 3.5 mm power supply connector on the A/B Switch. When power is first applied, it is recommended that the user change connection states on the A/B Switch from A to B and back again to be sure that all the relays are in a known state, prior to connecting any external devices. Press and hold (for approximately 1 second) the appropriate front panel pushbutton switch until the A/B Switch changes connection state. One of the LEDs, A or B, on the front of the unit will indicate the selected connection state and also serves to show that the switch has power.
- Connect RJ-45 cables (SW1040A, SW1041A) between the A, B and C ports on the switch and your devices. The A/B Switch connects the C (Common) port to either the A or B port.

NOTE: The A/B Switch ports provide straight-through connections and are bidirectional, i.e. they have no preference to signal direction. If your application requires a crossover cable, use only 1 cross-over cable in that path. Use a straight through cable on the other side of the switch.

- If you are connecting the Ethernet control interface on the A/B Switch (SW1041A) to your network, you must first set the IP address, subnet mask and gateway address parameters of the A/B Switch using the serial port. You should set these parameters before attaching a cable to the NETWORK port, as the default parameters may not work or could interfere with the operation of your Ethernet network. See Section 6 for more information regarding IP setup.

### 5. Operation

When power is applied to the A/B Switch, one of the LED switch position indicators (A or B) on the front of the unit will illuminate to show the connection state of the switch. Indicator A lights when the switch is in position A, and Indicator B lights when the switch is in position B. If neither or both LEDs are lit, then a fault has occurred, or power has been removed.

#### 5.1 Manual Switching

You can manually switch the A/B Switches using the push button switches located on the front of the unit. To select the connection state, you must hold the appropriate push button switch for one second before the unit will switch. This is to minimize the risk of inadvertently switching the A/B Switch.

#### 5.2 Dry Contact Closure Switching

You can also switch connection states and monitor the status of the A/B Switch using the remote control connections on the 6-position terminal block, located on the rear of the unit. Connecting (shorting) input A (pin 1) to Ground (pin 2) for a minimum of approximately 100 msec will cause the unit to switch to the A position, and connecting (shorting) input B (pin 3) to Ground (pin 2) for a minimum of approximately 100 msec will cause the unit to switch to the B position. If desired, the A or B control input can remain connected to the Ground input, which will disable all other control interfaces including the front panel pushbutton switches from being able to switch connection states of the A/B Switch.

*NOTE: To ensure reliable operation, the external dry contacts and any associated cable connected to the 6-position terminal block should not exceed 100 ohms resistance. Once the A/B Switch has switched connection states, the status relay contact pin 5 will be internally connected (shorted) to either pin 4 (switch in position A) or pin 6 (switch in position B). See Table 5-1 for the pin assignments on the 6-position terminal block.*

Table 5-1. 6-position terminal block pin assignments.

Pin Number	Description
1	A control input
2	Ground
3	B control input
4	Status Relay A contact
5	Status Relay COMMON
6	Status Relay B contact

#### 5.3 Serial RS-232 Switching (SW1041A)

A/B Switch model SW1041A supports serial remote control and can be switched using commands over a serial RS-232 communications line. The parameters of the A/B Switch console port are fixed at 9600 baud, no parity, 8 data bits, and 1 stop bit (commonly abbreviated as 9600, 8, N, 1). To communicate with the A/B Switch, you will need a serial terminal or similar device configured to these settings. Use a straight-through M/F cable to connect the A/B Switch console connector to this terminal or other device that follows the standard IBM PC DB9 serial port pinout. See Table 6-1 for the A/B Switch console port connector pin assignments.

When the A/B Switch powers up, it will send a sign-on message followed by a prompt character ">" to your serial terminal device. After each command and the associated response, the A/B Switch will again issue a prompt character. For systems where the console port is being commanded by software, the software should wait for this prompt character before sending each and every command to the A/B Switch. All commands are case insensitive and can be entered in upper or lower case. Note however, that password parameters are case sensitive. All commands must be terminated with a carriage return (ASCII 13 or hex 0x0D) before they will be accepted by the A/B Switch. Several commands can be abbreviated by using just the first character of each command word, for example the set/get system commands can be abbreviated using "g s" for "get system" or "s s a" for "set system a".

## 5.4 Ethernet Switching (SW1041A)

A/B Switch model SW1041A supports Ethernet remote control and can be switched using commands sent over an Ethernet network. In order to use the Ethernet Network port on the A/B Switch you must set the IPADDRESS, SUBNETMASK, and GATEWAY address parameters before connecting to your network. See Section 6 for more details on how to do this. After setting up the system and powering up for the first time, you may also need to change other parameters for your application. All configuration parameters are stored in non-volatile memory. They are immediately active when a change is made, but they will not become permanent until the SAVE command, followed by the RESET command has been executed.

Once the Ethernet remote control port has been configured, the A/B Switch can be switched using SNMP commands—see the MIB path summary in the appendix for a list of SNMP variables and their functions.

The A/B Switch also supports remote telnet access, and can be controlled via a telnet session using the same commands as supported by the RS-232 serial interface. Refer to Section 7 for the complete list of console commands.

As an additional option, A/B Switch models that support Ethernet remote control also include a built-in http server application that allows all of the console commands listed in section 7 to be accessed via a web browser interface. See Section 8 for more details about the web browser interface feature.

*NOTE: The NETWORK port on the A/B Switch is 10BASE-T only. The STATUS LED will blink whenever the A/B Switch receives a command from the Ethernet network interface or from the serial RS232 interface. In addition the STATUS LED will blink when a switching command is issued via the remote control contacts or front panel push button switches.*

The A/B Switch also has the ability to issue either SNMP traps, or UDP syslog messages. These messages can be sent to one or more network administrator systems to provide notification when the A/B Switch changes connection states either automatically (auto bypass switching or auto recovery switching) or via manual control (front panel toggle switch or commands received on the RS232 or Ethernet interfaces), and when certain other events occur. See Section 10 and Section 11 for additional details.

To restrict access to the A/B Switch, each of the Ethernet interface options (SNMP, telnet, and web browser) can be independently enabled/disabled, and if enabled, can be configured to require a login password. Additionally, user access can be restricted by IP address so only commands received from pre-defined “administrator” IP addresses will be acknowledged and acted upon. See section 7 for additional information regarding these commands.

## 5.5 Automatic Switching

The A/B Switch models that support Ethernet remote control can also be configured to automatically switch between a “normal” connection state (port C connected to port B) and a “bypass” or “failover” connection state (port C connected to port A). User configurable failover and recovery parameters control the auto-switching functions to allow the switch to be used in a variety of applications. In order to be able to perform the auto bypass and auto recovery switching functions, the A/B Switch issues ICMP echo request (PING) packets from its Ethernet network interface to a user configurable IP address on the network. If the “normal” network path connections between the A/B Switch and the device being monitored go down for any reason, the A/B Switch will no longer be able to PING the specified IP address, and will then automatically switch from the “normal” connection state (port C connected to port B) to the “bypass” or “failover” connection state (port C connected to port A). Once the problems on the primary path have been identified and corrected, the user can issue a command to cause the A/B Switch to switch from the failover connection state back to the normal connection state. If auto recovery is enabled, the A/B Switch will automatically re-connect the normal path connections when it is again able to PING the user specified IP address. When using the auto recovery feature, make sure that the Ethernet network port on the A/B Switch is connected to the user’s network so that the normal path is continuously being monitored even when the backup path has been selected; otherwise, the A/B Switch could repeatedly switch (flap) back and forth between the failed primary path and the functioning backup path. See Figures 5-1 and 5-2 for examples of auto switching configurations.

## Chapter 5: Operation

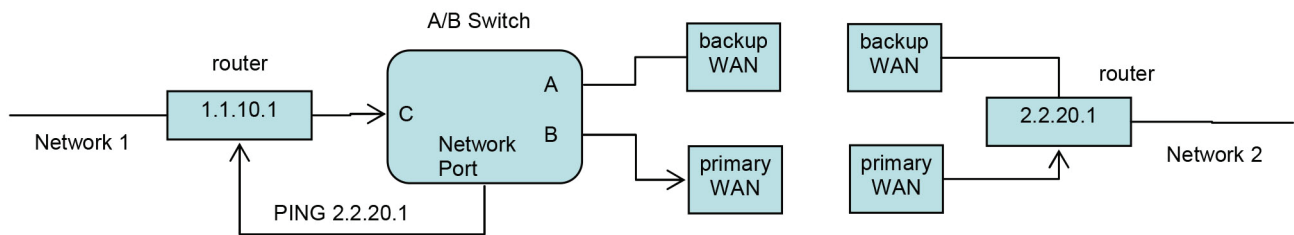


Figure 5-1. Auto Failover and Manual Recovery.

*NOTE: The A/B Switch monitors the WAN connections by PINGing the far side router through the primary WAN link. If the primary WAN link fails, the A/B Switch auto switches to the backup WAN link. Auto recovery is disabled in this configuration to prevent flapping.*

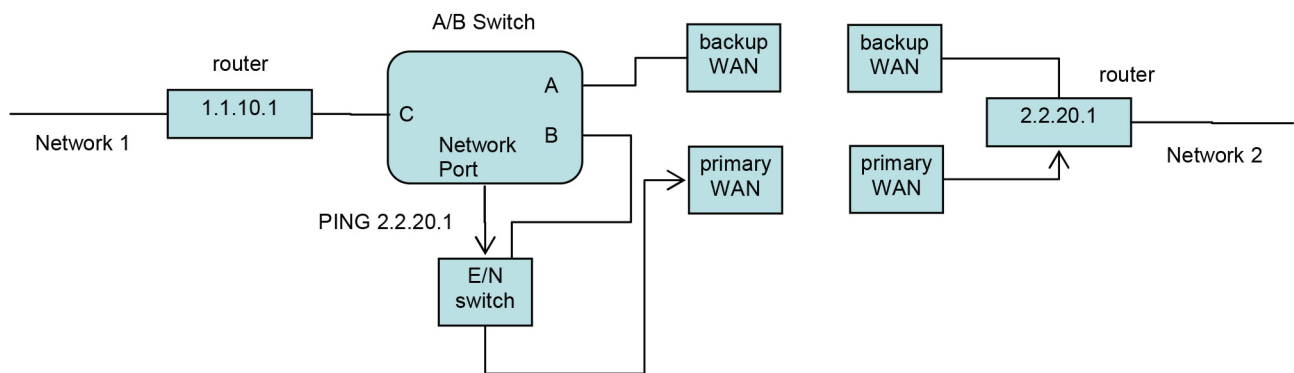


Figure 5-2. Auto Failover and Auto Recovery.

*NOTE: The A/B Switch monitors the WAN connections by PINGing the far side router through the primary WAN link. If the primary WAN link fails, the A/B Switch auto switches to the backup WAN link. When the primary WAN link is available again, the A/B Switch auto switches back to the primary.*

The monitorip address and monitormac address parameters can be configured to allow the A/B Switch to monitor connectivity to any device within, or outside of the A/B Switch's subnet. If monitoring connectivity to a device on the same subnet as the A/B Switch's internal Ethernet node, set the A/B Switch's monitorip address and monitormac address parameters to the IP address and MAC address of the device being monitored. If monitoring connectivity to a device on a different subnet/network than the A/B Switch's internal Ethernet node, set the A/B Switch's monitormac address parameter to the MAC address of the gateway router on the A/B Switch's subnet, and set the monitorip address parameter to the IP address of the device being monitored. This allows the PING packet issued by the A/B Switch to be routed through the gateway router to the target device on a different subnet/network. If you don't know the MAC address of the target device or the gateway router on the A/B Switch's subnet, one method is to open a command prompt window on a P.C. attached to that same subnet and use the "arp -a" command to retrieve this information from the P.C.'s arp cache (you may need to PING the IP address first before the entry will appear in the arp cache).

In most network environments, rather than manually configuring the monitormac address, you can configure the A/B Switch to automatically determine the proper MAC address required for the PING packet. Enter the monitorip address information as noted above, and then set the monitormac address parameter to 00 00 00 00 00 00. This causes the A/B Switch to issuing an ARP request to the gateway router which will respond with the appropriate MAC address information needed.

*NOTE: When the Auto Switch feature is enabled, manual switching can be performed, but will be overridden by any auto switching commands that are subsequently issued by the A/B Switch.*

### 6. Ethernet Network Interface Setup (SW1041A Only)

To perform initial setup of the network management interface on the SW1041A A/B Switch, you will need a serial terminal capable of 9600 baud, no parity, 8 data bits, and 1 stop bit. Connect this terminal to the DB9 console connector on the A/B Switch. A straight thru M/F cable is required to connect to an IBM PC standard DB9 serial port. For connection to other device types a custom cable pinout may be required—see Table 6-1 below for the DB9 pin assignment on the A/B Switch.

Table 6-1. DB9 Pin Assignment.

DB9	Signal	Direction
2	Received Data	To Terminal
3	Transmitted Data	From Terminal
5	Ground	—

Apply power to the system.

After initialization is complete you will see a sign-on message displayed on the serial console, e.g.

```
D1000 Network Agent Version 2.9h MAY 2008
Copyright 2008 (c)
All rights reserved
System starting ...
Rack position A
Console ready
>
```

At this point, the A/B Switch is ready to accept the configuration commands that are necessary before you will be able to communicate with the unit over an Ethernet network. You will need to enter an IP address, subnet mask, and gateway address information for basic access. You will also need to set the read and write SNMP community names if using SNMP, or a web password to allow web browser access, or a telnet password if you plan to control the A/B Switch via telnet. After entering these parameters you will need to save them into non-volatile memory on the A/B Switch. Any time one or more of these parameters is changed; they must be saved followed by a system RESET in order for the changes to become permanent. The following shows a typical setup session. Change the entered parameters to suit your application requirements. All of the console level commands are described in detail in Section 7.

```
>set ipaddress 192.168.1.200
OK
>set subnetmask 255.255.255.0
OK
>set gateway 192.168.1.1
OK
>set readcommunityname public
OK
>set writecommunityname private
OK
>save
OK
>reset
resetting, please wait . . .
```

## Chapter 6: Ethernet Network Interface Setup (SW1041A Only)

---

After the system reinitializes, you will again be greeted by the sign-on message as before. At this time you can connect an Ethernet cable to the 10Base-T network port on the A/B Switch and to an available port on your Ethernet switch or router. The A/B Switch will respond to SNMP, telnet and HTTP messages at the assigned IP address.

### 7. Console Commands (SW1041A Only)

The following commands are available from the RS-232 console port or from the Ethernet network port on the SW1041A A/B Switch, since it supports these remote control interfaces. All commands are case-insensitive, although several parameters are case-sensitive (read/write community names and web and telnet passwords). GET, SET, and SYSTEM can all be abbreviated by the first letter of the command. This allows shorthand entry of switching commands. Each available command is shown along with an example of a typical response.

#### GET ALL

Displays all parameters and settings. An example output is shown here.

```
System Status: B
IP Address: 192.168.1.39
MAC Address: 00 06 57 00 01 02
Subnet Mask: 255.255.255.0
Gateway IP Address: 192.168.1.1
PING Reply: Enabled
SNMP Enable: Enabled
Read Community Name: public
Write Community Name: private
Web Enable: Enabled
Web Password: mctech
Web Timeout: 300
Web Port: 80
Telnet Enable: Enabled
Telnet Password: dataman
Telnet Timeout: 80
Telnet Port: 23
Monitor IP Address: 192.168.1.113
Monitor MAC Address: 00 00 00 00 00 00
Monitor Interval: 10
Monitor Fail Count: 5
Monitor Ok Count: 5
Authentication Trap: Disabled
Alert Type: TRAP
D1000: 2.9N JUL 2010, d1000 Rev B
ADMIN IP Addresses:
SNMP Managers:
1: 192.168.1.113
2: 192.168.1.115
3: 192.168.1.149
```

#### GET VERSION

Displays the software revision of the system.

```
D1000: 2.9h MAY 2008, d1000 Rev B
```

#### GET SYSTEM

Displays the system status. This is the same as the status returned by the SNMP variable d1000SwitchControl. It will report "A" if the switch is in position A, and "B" if the switch is in position B.

```
System Status: A
```

## Chapter 7: Console Commands (SW1041A Only)

---

SET SYSTEM A[B]

Sets the system to position A or B.

SET IPADDRESS X.X.X.X  
GET IPADDRESS

Set or display the current IP address of the network module. Any change will not become permanent until a SAVE and RESET operation sequence is performed.

SET SUBNETMASK X.X.X.X  
GET SUBNETMASK

Set or display the current subnet mask of the network module. Any change will not become permanent until a SAVE and RESET operation sequence is performed.

SET GATEWAY X.X.X.X  
GET GATEWAY

Set or display the current gateway IP address of the network module Any change will not become permanent until a SAVE and RESET operation sequence is performed.

SET PINGREPLY ON[OFF]  
GET PINGREPLY

Set or display whether or not the A/B Switch will respond to incoming PINGs (ICMP echo requests). Any change will not become permanent until a SAVE operation is performed.

SET SNMPENABLE ON[OFF]  
GET SNMPENABLE

Set or display whether or not the SNMP interface on the A/B Switch is enabled. Any change will not become permanent until a SAVE operation is performed.

SET READCOMMUNITYNAME string  
GET READCOMMUNITYNAME  
SET WRITECOMMUNITYNAME string  
GET WRITECOMMUNITYNAME

Set or display the current read or write community name as specified. Note that in general these are case sensitive fields. Any change will not become permanent until a SAVE and RESET operation sequence is performed.

SET WEBENABLE ON[OFF]  
GET WEBENABLE

Set or display the current state of web based access. The network module will not accept any HTTP requests when web enable is off. Any change will not become permanent until a SAVE and RESET operation sequence is performed.



SET WEBPASSWORD string  
GET WEBPASSWORD

Set or display the current web password. Note that this is a case sensitive field. Any change will not become permanent until a SAVE and RESET operation sequence is performed.

SET WEBTIMEOUT seconds  
GET WEBTIMEOUT

Set or display the current web timeout in seconds. After a period of inactivity of this many seconds, the network module will request a login. Note that the web timeout cannot be disabled any change will not become permanent until a SAVE and RESET operation sequence is performed.

SET WEBPORT N  
GET WEBPORT

Set or display the current web port number. Changing the web port number from the default can be used to provide an additional level of security. Any change will not become permanent until a SAVE and RESET operation sequence is performed.

SET TELNETENABLE ON[OFF]  
GET TELNETENABLE

Set or display the current state of telnet based access. The network module will not accept any telnet requests when telnet enable is off. Any change will not become permanent until a SAVE and RESET operation sequence is performed.

SET TELNETPASSWORD string  
GET TELNETPASSWORD

Set or display the current telnet password. Note that this is a case sensitive field. Any change will not become permanent until a SAVE and RESET operation sequence is performed.

SET TELNETTIMEOUT seconds  
GET TELNETTIMEOUT

Set or display the current telnet timeout in seconds. After a period of inactivity of this many seconds, the network module will disconnect any current telnet session. Note that the telnet timeout cannot be disabled, it can however, be set arbitrarily large. Any change will not become permanent until a SAVE and RESET operation sequence is performed.

SET TELNETPORT N  
GET TELNETPORT

Set or display the current telnet port number. Changing the telnet port number from the default can be used to provide an additional level of security. Any change will not become permanent until a SAVE and RESET operation sequence is performed.

## Chapter 7: Console Commands (SW1041A Only)

---

SET MONITORIP [X.X.X.X]  
GET MONITORIP

Set or display the IP address of the device that the A/B Switch is to PING to determine the active port alternate (A) or normal (B). Setting this to 0.0.0.0 disables the auto switch/recovery function. Any change will not become permanent until a SAVE operation is performed. The MONITORIP is the IP address used to control an optional auto recovery function. If enabled, the auto switch/recovery function will PING the monitor IP address. When the PING is successful, the A/B Switch will auto-switch to the normal path (B), connecting port B to the common port C. When the PING is not successful, the A/B Switch will auto-switch to the alternate path (A), connecting port A to the common port C.

SET MONITORMAC [X X X X X X]  
GET MONITORMAC

Set or display the MAC (Ethernet) address of the device that the A/B Switch is to PING to determine the active port switch (A) or normal (B). This value is entered as a series of six HEX characters with spaces between each HEX character. If monitoring connectivity to a device on the same subnet as the A/B Switch internal Ethernet node, set the monitormac address parameters to the MAC address of the device being monitored. If monitoring connectivity to a device on a different subnet/network than the A/B Switch internal Ethernet node, set the monitormac address parameter to the MAC address of the gateway router on the A/B Switch subnet. If the monitormac address is set to 00 00 00 00 00 00, the A/B Switch will automatically determine the proper MAC address required for the PING packet by issuing an ARP request to the gateway router. Any change will not become permanent until a SAVE operation is performed.

SET MONITORINTERVAL [N]  
GET MONITORINTERVAL

Set or display the time interval between PINGs issued by the internal Ethernet node in the A/B Switch, measured in 100 msec increments. To issue PINGs every 1.5 seconds, set this value to 15. The valid range is 1 to 255 (0.1 seconds to 25.5 seconds). A value of 0 disables the automatic switch/recovery function. Any change will not become permanent until a SAVE operation is performed.

SET MONITORFAILCOUNT [N]  
GET MONITORFAILCOUNT

Set or display the number of successive PING attempts that must fail before the A/B Switch automatically switches to the alternate path and removes the normal path connection path. The valid range is 1 to 255. A value of 0 disables the automatic switch/recovery function. Any change will not become permanent until a SAVE operation is performed.

SET MONITOROKCOUNT [N]  
GET MONITOROKCOUNT

Set or display the number of successive PING attempts that must succeed before the A/B Switch automatically switches back to the normal path and removes the alternate connection path. The valid range is 1 to 255. A value of 0 disables only the automatic recovery function – automatic switching will still operate if enabled. If auto recovery is disabled the user must manually switch back to the normal path via the front panel toggle switch or by issuing a “set system B” command. Any change will not become permanent until a SAVE operation is performed.

SET AUTHENTICATIONTRAP ON[OFF]  
GET AUTHENTICATIONTRAP

Set or display the current state of authentication error traps. Authentication traps will be generated when this parameter is set to ON, and not when OFF. Note that this setting only affects the trap generation, and not how the network module handles an authentication failure. An authentication failure generally means that an SNMP access was attempted with an incorrect community name. Any change will not become permanent until a SAVE and RESET operation sequence is performed.

SET ALERTTYPE [TRAP/SYSLOG]  
GET ALERTTYPE

Set or display the type of alert messages sent by the A/B Switch when certain events such as a change in switch state occur. The A/B Switch can be configured to issue either syslog messages, or SNMP traps.

*NOTE: At least one IP address must be entered using the "SET MANAGER N X.X.X.X" command before either syslog messages or traps will be issued. See Section 9 for a list of the traps supported by the A/B Switch, and see section 10 for a list of the supported syslog messages.*

SET ADMINIP N X.X.X.X

Set administrator N (1-8) IP address. Up to 8 different administrator IP addresses can be entered. To remove an entry from the list, set the IP address to 0.0.0.0. If all 8 ADMIN IP addresses are 0.0.0.0 (no ADMIN IP addresses are configured) the A/B Switch will allow access via the Ethernet interface from any IP address, subject to the existing password and enable flags for each interface. If one or more ADMIN IP addresses are non-zero, the A/B Switch will only process messages received from the configured (non-zero) ADMIN IP addresses. All other messages will be ignored. This ADMIN IP address filtering feature applies to the telnet, web browser and SNMP Ethernet interfaces and to the PING reply functions. The ADMIN IP address filtering does not affect outgoing PING and ARP messages so the A/B Switch is still able to monitor any IP address for the "auto-switch" features. The administrator IP addresses can be different than the manager IP addresses. Any change will not become permanent until a SAVE operation is performed.

GET ADMINIP N

Display the IP address of administrator N (1-8). If no value is entered for "N", then all administrator IP addresses will be displayed.

ADMIN IP Addresses:  
1: 192.168.1.113  
2: 192.168.1.115  
3: 192.168.1.149

SET MANAGER N X.X.X.X

Set SNMP manager N (1-16) IP address. Up to 16 SNMP MANAGER IP addresses can be entered for destinations of trap messages. Trap messages will be sent to all enabled MANAGER IP addresses. To remove an entry from the list, set the IP address to 0.0.0.0. Any change will not become permanent until a SAVE and RESET operation sequence is performed.

SNMP Manager Table:  
1: 192.168.1.113  
2: 192.168.1.115

## Chapter 7: Console Commands (SW1041A Only)

---

### GET MANAGER N

Display SNMP manager N (1-16) IP address.

### GET MANAGER

Display all SNMP manager IP addresses.

### PING X.X.X.X

Causes the A/B Switch to issue a single ICMP echo request packet to the designated IP address. If a response is received, the A/B Switch will display the message "Reply from X.X.X.X". If no response is received within 5 seconds, the A/B Switch will display the message "Request timed out."

### SAVE

Save settings for next startup. All settings are stored in NV memory and restored upon power on. Any change will not become permanent until a SAVE and RESET operation sequence is performed.

### RESET

Causes a network system reboot and reloads all parameters from stored settings.

*NOTE: You will lose your connection and have to log in again if giving this command from a telnet or web interface session.*

### SET DEFAULTS

Causes the A/B Switch configuration parameters to be restored to the factory settings. Any changes to the settings will not become permanent until a SAVE and RESET operation sequence is performed.

### HELP

Displays a list of commands.

>help

D1000 CONSOLE COMMANDS:

GET ALL (display all parameters)

GET VERSION (display software versions)

GET[SET] SYSTEM [A/B] (control all system ports)

GET[SET] IPADDRESS [X.X.X.X]

GET[SET] SUBNETMASK [X.X.X.X]

GET[SET] GATEWAY [X.X.X.X]

GET[SET] PINGREPLY [ON/OFF]

GET[SET] SNMPENABLE [ON/OFF]

GET[SET] READCOMMUNITYNAME [string]

GET[SET] WRITECOMMUNITYNAME [string]

GET[SET] WEBENABLE [ON/OFF]

GET[SET] WEBPASSWORD [string]

GET[SET] WEBTIMEOUT [N] (seconds)

GET[SET] WEBPORT [N]

GET[SET] TELNETENABLE [ON/OFF]

GET[SET] TELNETPASSWORD [string]

GET[SET] TELNETTIMEOUT [N] (seconds)

GET[SET] TELNETPORT [N]

GET[SET] MONITORIP [X.X.X.X] (0.0.0.0 to disable)

GET[SET] MONITORMAC [X X X X X X] (X = HEX CHARS)

GET[SET] MONITORINTERVAL [N] (1/10 seconds, 0 to disable)

GET[SET] MONITORFAILCOUNT [N] (0 to disable)

GET[SET] MONITOROKCOUNT [N] (0 = no auto recover)

GET[SET] AUTHENTICATIONTRAP [ON/OFF]

GET[SET] ALERTTYPE [TRAP/SYSLOG]

GET[SET] ADMINIP N [X.X.X.X] (0.0.0.0 to disable an entry)

GET ADMINIP (display all administrator IP addresses)

GET[SET] MANAGER N [X.X.X.X] (0.0.0.0 to disable an entry)

GET MANAGER (display all SNMP managers)

PING X.X.X.X (ICMP ECHO to remote host)

SAVE save settings for next startup

RESET restart (use after SAVE)

SET DEFAULTS (restore default user settings, save required)

>

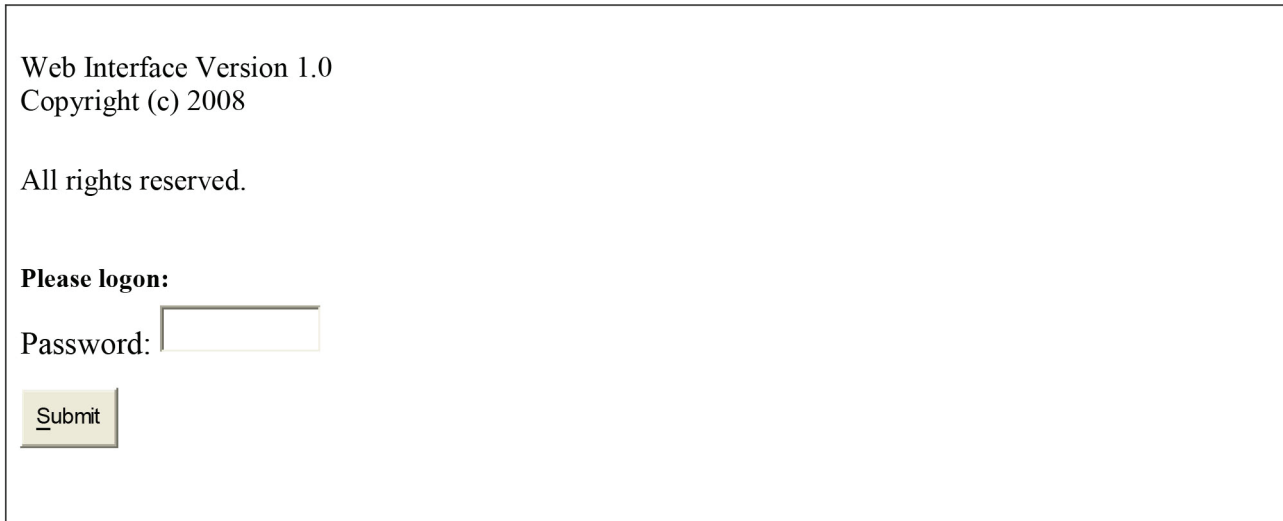
### NOTES:

- *Commands can be entered in upper or lower case.*
- *All commands should be terminated with a carriage return (ASCII 13) or (hex 0x0D).*
- *Set/get system commands can be abbreviated using just first letters, i.e. "g s" for "get system" or "s s a" for "set system a."*

### 8. Web Interface (SW1041A Only)

The network module installed in Ethernet remote control capable models of the A/B Switch also provides access to console commands through a web browser interface. When enabled (see SET WEBENABLE command) entering the A/B Switch's IP address (index.html) in your web browser's URL address line will present a log on page for the A/B Switch similar to the following example.

*NOTE: If using a pop up blocker on your web browser, be sure to allow pop ups from the IP address of the A/B Switch; otherwise, you could experience trouble receiving a response through the interface.*



Web Interface Version 1.0  
Copyright (c) 2008

All rights reserved.

**Please logon:**

Password:

Figure 8-1. Logon screen.

After successfully entering the correct web password (see SET WEBPASSWORD command) you will get the following page (or similar).



Web Interface Version 1.0  
Copyright (c) 2008.

All rights reserved.

Command console:

---

Enter new command:

Figure 8-2. Initial Command screen.

At this point you may enter any valid command into the text box and click "Send Command" to execute. The following is an example result of the GET ALL command.

Web Interface Version 1.0  
Copyright (c) 2008  
All rights reserved.  
Command console:

Output from last command...

---

System Status: B  
IP Address: 192.168.1.30  
Subnet Mask: 255.255.255.0  
Gateway IP Address: 192.168.1.1  
Web Enable: Enabled  
Web Password: mctech  
Web Timeout: 300  
Web Port: 80  
Telnet Enable: Enabled  
Telnet Password: dataman  
Telnet Timeout: 80  
Telnet Port: 23  
Monitor IP Address:192.168.1.199  
Monitor MAC Address: 00.00.00.00.00.00  
Monitor Interval: 5  
Monitor Fail Count: 5  
Monitor OK Count: 5  
Read Community Name: public  
Write Community Name: private  
Authentication Trap: Disabled  
AlertType:SYSLOG  
D1000: 2.9h MAY 2008, d1000 Rev B  
SNMP Managers:

---

Enter new command:

Figure 8-3. Example Command Results screen.

The A/B Switch will only allow 1 telnet or web access session. To free up a session without waiting for the web timeout, click "Logoff." For this reason, the web timeout should be set to a workable time. Resetting the A/B Switch will also clear the current web session.

### 9. SNMP MIB Path Summary

[internet] – 1.3.6.1

    [private] – 1.3.6.1.4

        [enterprises] – 1.3.6.1.4.1

            [mctech] – 1.3.6.1.4.1.9477

[mctech] – 1.3.6.1.4.1.9477

    Market Central, Inc. private enterprise number

[mcAgent] – 1.3.6.1.4.1.9477.1

    Market Central, Inc. SNMP Agent

The following is a list of the SNMP variables corresponding to: D1000 A/B Switch.

[d1000] – 1.3.6.1.4.1.9477.1.7

    D1000 Switch

        [d1000SwitchControl] – 1.3.6.1.4.1.9477.1.7.1

        [d1000KeyStat] – 1.3.6.1.4.1.9477.1.7.2

        [d1000PowerStat] – 1.3.6.1.4.1.9477.1.7.3

        [d1000SoftwareVersion] – 1.3.6.1.4.1.9477.1.7.4

        [d1000Name] – 1.3.6.1.4.1.9477.1.7.5

[mclpRequester] – 1.3.6.1.4.1.9477.2

#### A/B Switch SNMP Variable Definitions:

[d1000SwitchControl] – 1.3.6.1.4.1.9477.1.7.1

D1000 Switch Control. This variable is used to control the selected channel. When set to A, the switch will connect channel A to C. When set to B, the switch will connect channel B to C.

[d1000KeyStat] – 1.3.6.1.4.1.9477.1.7.2

D1000 Key-Lock Switch Status. This is a read only variable. This variable can be used to determine if the Key-Lock Switch is in the OFF or ON position. Although the standard A/B Switch does not have a Key-Lock Switch, this feature is supported and could be added on future models.

[d1000PowerStat] – 1.3.6.1.4.1.9477.1.7.3

D1000 Power Status. This is a read only variable. Since the A/B Switch is powered via a single power supply, the Power Status will report "OneSupply."

[d1000SoftwareVersion] – 1.3.6.1.4.1.9477.1.7.4

D1000 Software Version. This is a read only variable, and is limited to a maximum of 14 characters.

[d1000Name] – 1.3.6.1.4.1.9477.1.7.5

D1000 Identification String. The string is limited to a maximum of 14 characters.

[mclpRequester] – 1.3.6.1.4.1.9477.2

The IP address of the remote entity that last accessed branch 1.3.6.1.4.1.9477.1. This variable can be used to identify the last IP address to access any mcAgent variable. It is returned in the authenticationFailure message.



### 10. Traps Summary

The A/B Switch can be configured to issue an SNMP trap when certain events occur. Use the "SET ALERTTYPE" command to enable traps, and use the "SET MANAGER N X.X.X.X" command to specify the IP addresses of up to 16 different NMS computers that you want to send these traps to (see Section 7 for details regarding these commands). The following traps are generated by the A/B Switch. For additional details regarding these traps, and the SNMP MIB objects supported by the A/B Switch, please refer to the d1000.mib file supplied with your switch.

- generic trap 0 coldStart – issued when the unit is powered up, or after a RESET command
- generic trap 4 AuthenticationFailure – issued when an invalid SNMP read/write community name is used when attempting to access the A/B Switch
- specific trap 6 SystemSwitchChange – issued in response to a switching action caused by a user initiated command, front panel push button action, or remote dry contact closure
- specific trap 8 AutoSwitchChange – issued when the A/B Switch automatically changes connection states via the auto switch feature, or the auto recovery feature

## 11. Syslog Messages

The A/B Switch can be configured to issue a syslog message rather than an SNMP trap when certain events occur. To configure the A/B Switch to issue syslog messages, you must use the "SET ALERTTYPE" command to select SYSLOG messages, and you need to specify the IP address(es) of the device(s) that will be receiving the syslog messages by using the "SET MANAGER N X.X.X.X" command (see Section 7 for details regarding these commands). Once these configuration changes have been made, the A/B Switch will issue syslog messages for the following types of events:

- power up cold start, or restart using the RESET command
- SNMP authentication failure (access attempted using incorrect read or write community name)
- switching action caused by a user initiated command, front panel push button action, or remote dry contact closure
- auto switch or auto recovery switch functions

The syslog messages issued by the A/B Switch conform where possible to the general recommendations as described in rfc3164. There is no real time clock within the A/B Switch however, so each syslog message uses a default timestamp value of Jan 1 00:00:00. The device receiving the syslog messages will need to apply a timestamp or other identifier if this information is needed. The general format for each syslog message from the A/B Switch is as follows:

Jan 1 00:00:00 [IP address] Bypass Switch: [specific message based on the event that occurred]

Listed below is each type of syslog message that the A/B Switch can issue, followed by the actual syslog message that the A/B Switch will send.

### Syslog Messages

power up cold start (or RESET command)

Jan 1 00:00:00 192.168.1.151 Bypass Switch: Switch has been reset.

SNMP authentication failure

Jan 1 00:00:00 192.168.1.151 Bypass Switch: SNMP authentication failure.

system switch A to B via S S B command (or toggle switch)

Jan 1 00:00:00 192.168.1.151 Bypass Switch: System switch from A to B position.

system switch B to A via S S A command (or toggle switch)

Jan 1 00:00:00 192.168.1.151 Bypass Switch: System switch from B to A position.

auto switch B to A via auto bypass feature

Jan 1 00:00:00 192.168.1.151 Bypass Switch: Automatic switch from B to A position.

auto switch A to B via auto recovery feature

Jan 1 00:00:00 192.168.1.151 Bypass Switch: Automatic switch from A to B position.



**Black Box Tech Support: FREE! Live. 24/7.**

Tech support the  
way it should be.



Great tech support is just 60 seconds away at 724-746-5500 or [blackbox.com](http://blackbox.com).



### About Black Box

Black Box provides an extensive range of networking and infrastructure products. You'll find everything from cabinets and racks and power and surge protection products to media converters and Ethernet switches all supported by free, live 24/7 Tech support available in 60 seconds or less.

© Copyright 2015. Black Box Corporation. All rights reserved. Black Box® and the Double Diamond logo are registered trademarks of BB Technologies, Inc. Any third-party trademarks appearing in this manual are acknowledged to be the property of their respective owners.

SW1040A\_SW1041A version 1

724-746-5500 | [blackbox.com](http://blackbox.com)