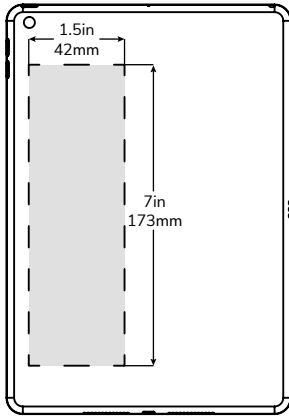
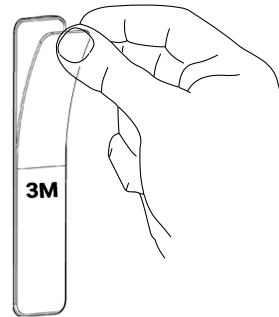


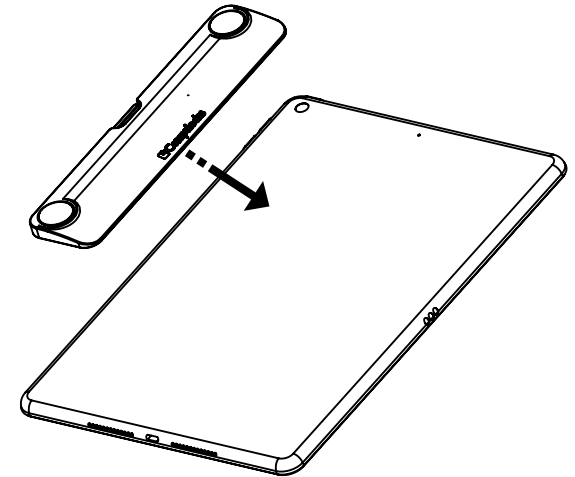
1 CLEAN AREA ON THE DEVICE  
WITH ALCOHOL WIPES PROVIDED



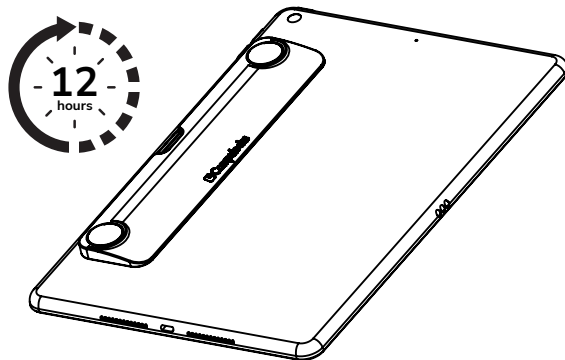
2 REMOVE STICKER COVER



3 ATTACH BLADE  
TO THE DEVICE



4 ACHIEVES FULL STRENGTH  
AFTER 12 HOURS



5 OPEN BLADE TO USE

