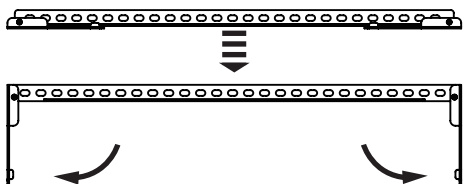


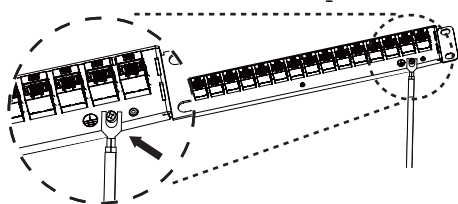
Installation Instructions

1U-24 Port Feed-Through Patch Panel

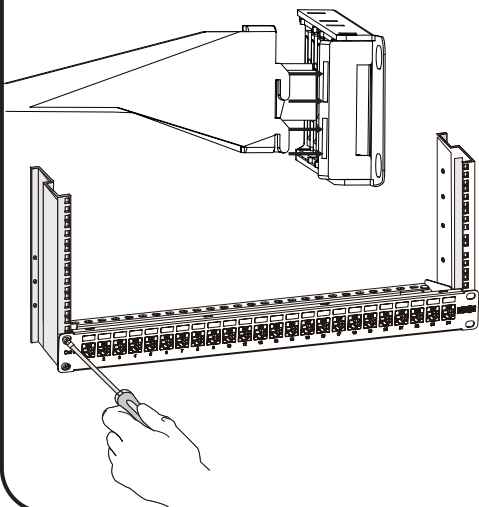
- 1** Open the both hangers from cable manager.



- 2** Fix the grounding wire to the panel.



- 3** Assemble the cable manager and, Fix the panel to the rack.



- 4** Connect the grounding wire between the panel and rack.

