



Category 5e, 24-Port ½RU Patch Panel

Provides 24 terminated CAT5e ports  
in a 0.5 rack unit space.



**Customer  
Support  
Information**

Order toll-free in the U.S.: Call 877-877-BBOX (outside U.S. call 724-746-5500)  
FREE technical support 24 hours a day, 7 days a week: Call 724-746-5500 or fax  
724-746-0746 • Mailing address: Black Box Corporation, 1000 Park Drive, Lawrence,  
PA 15055-1018 • Web site: [www.blackbox.com](http://www.blackbox.com) • E-mail: [info@blackbox.com](mailto:info@blackbox.com)

### Trademarks Used in this Manual

Black Box and the Double Diamond logo are registered trademarks of BB Technologies, Inc.

Any other trademarks mentioned in this manual are acknowledged to be the property of the trademark owners.

### 1. Specifications

**Compliance:** EIA/TIA 568C.2, Category 5e

**Construction:** Steel

**Number of Ports:** 24

**Front Connectors:** RJ-45 female

**Rear Connectors:** 110 punch-down contacts

**Wiring:** Universal (supports both T568A and T568B)

**Size:** 0.9" (1/2 RU) high x 19"W x 3.8"D (1.75 x 48.2 x 9.4 cm)

**Weight:** 1.7 lb. (0.8 kg)

### 2. Overview

#### 2.1 Introduction

The Category 5e, 24-Port ½RU Patch Panel provides 24 terminated CAT5e ports in a 0.5 RU space. If two panels are used together “stacked,” the user can ultimately have 48 ports in a 1 RU space for extreme high-density applications.

The termination is somewhat different from standard patch panels. The bulk cable is terminated to the panel at a 90° top-down position using standard IDC 110 blocks.

#### 2.2 What’s Included

Your package should include the following items. If anything is missing or damaged, contact Black Box Technical Support at 724-746-5500 or [info@blackbox.com](mailto:info@blackbox.com).

- (1) Category 5e, 24-Port ½RU Patch Panel
- (24) cable ties
- (4) 10-32 cuphead screws and (4) 12-24 cuphead screws
- This user’s manual

### 3. Installation

Follow Steps 1–6 to install the patch panel.

1. Strip the cable jacket approximately two inches (5.2 cm). See Figure 1.

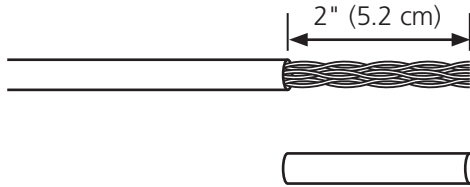


Figure 1. Stripping the cable jacket.

2. Fasten the cable around the bar to help hold bulk cable in place during installation. See Figure 2.

*NOTE: Be careful not to overtighten.*

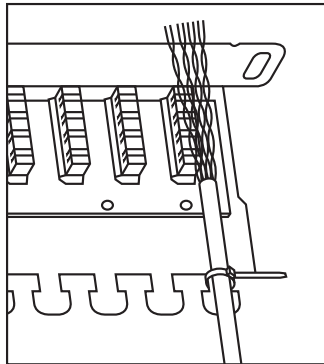


Figure 2. Installing bulk cable.

*NOTE: Leave at least 12 inches of slack behind the panel. This is needed if any repairs or MAC work is required to pull the panel forward to complete the work.*

3. Cut off the surplus tie. See Figure 3.

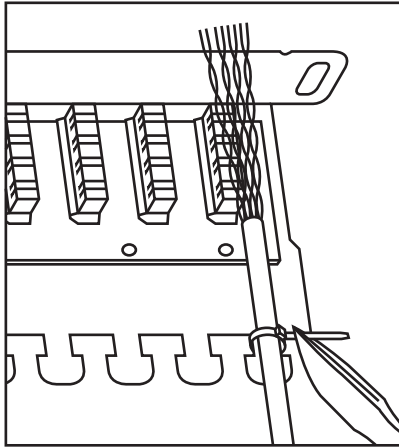


Figure 3. Cutting off surplus tie.

4. Arrange installation wires according to your color code. The IDC blocks support T568A or T568B. See Figure 4.

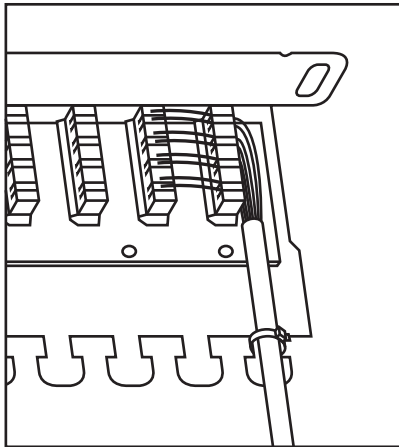


Figure 4. Arranging the wires.

5. Use a standard 110 panel punchdown tool to terminate the cable. See Figure 5.

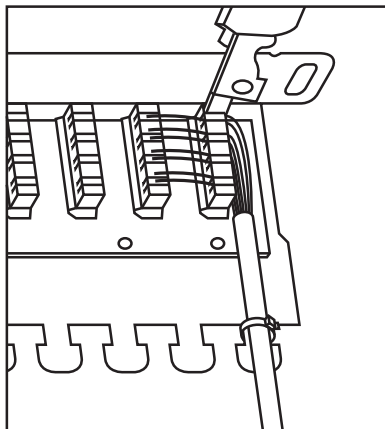


Figure 5. Terminating the cable.

6. Complete the installation by using the cutting tool to trim excess wires.

7. Repeat Steps 1–6 for the remaining ports. See Figure 6.

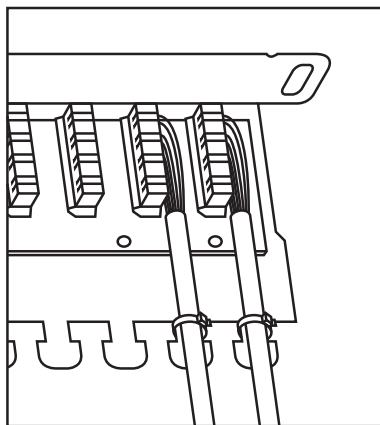


Figure 6. Repeating the installation for remaining ports.

**Black Box Tech Support: FREE! Live. 24/7.**

Tech support the  
way it should be.



Great tech support is just 30 seconds away at  
724-746-5500 or [blackbox.com](http://blackbox.com).



## About Black Box

Black Box Network Services is your source for an extensive range of networking and infrastructure products. You'll find everything from cabinets and racks and power and surge protection products to media converters and Ethernet switches all supported by free, live 24/7 Tech support available in 30 seconds or less.

© Copyright 2011. Black Box Corporation. All rights reserved.

JPM5E24A-HU, rev. 1

---

724-746-5500 | [blackbox.com](http://blackbox.com)