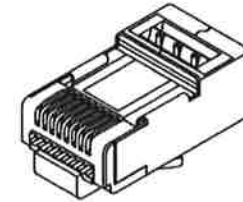


REVISIONS		
Rev	DESCRIPTION	DATE
A	INITIAL RELEASE	

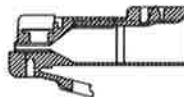
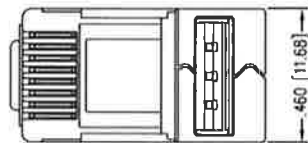
C5EEZSP-xxPAK

- EIGHT CONDUCTOR MODULAR PLUG
- FOR CONDUCTORS WITH AN O.D. RANGE OF .037-.041"
- USES .014 CONTACT
- FOR SOLID OR STRANDED WIRE APPLICATIONS
- FOR BOTH CAT5E AND CAT6
- MAX CABLE OD IS 0.260 INCHES
- RoHS COMPLIANT



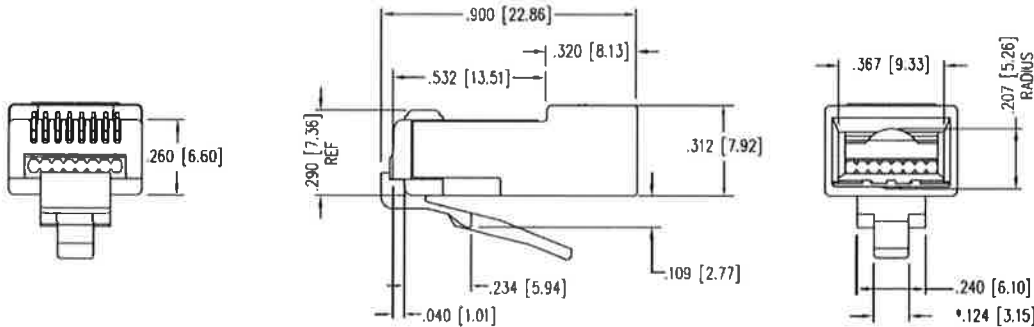
SPECIFICATIONS:

CONTACT MATERIAL:	PHOSPHOR BRONZE .014 THK
CONTACT PLATING:	50 MICRO INCH SELECTIVE 24 CARAT HARD GOLD IN CONTACT AREA OVER 100 MICRO INCH MINIMUM NICKEL PLATE.
PLUG MATERIAL:	POLYCARBONATE
SHIELD MATERIAL:	.012 THK CDA-260 1/4 HARD BRASS
SHIELD PLATING:	100% TIN, 100-150 MICRO-INCH TIN PLATED
PLUG TOLERANCES/DIMS:	COMPLIES WITH F.C.C. REQUIREMENTS
OPERATION TEMPERATURE:	-40° C TO +70° C
UL RECOGNIZED	FILE# E188111
FLAME AUTO EXTINGUISH	94-VO
INSERTION/EXTRACTION	1000 CYCLES
CONTACT RESISTANCE	10 MILLIOHMS MAX.
CURRENT VOLTAGE	30 VAC/42 VDC AT 1.5 AMPS



SECTION VIEW WITH NO SHIELD

MANUFACTURED BY SULLSTAR TECHNOLOGIES, INC. PATENTED: 5,996,224, 6,017,237 and 6,105,229 AND FOREIGN PATENTS. PATENTS INSURED. EZ-RJ45® IS A REGISTERED TRADEMARK OF SULLSTAR TECHNOLOGIES, INC.



UNLESS OTHERWISE SPECIFIED:
DIMENSIONS ARE IN INCHES
TOLERANCES:
FRACTIONAL:
ANGULAR: MAX ± BEND ±
TWO PLACE DECIMAL ±
THREE PLACE DECIMAL ±



The information contained in this document is the sole property of Black Box Corporation of Pennsylvania. Any reproduction in part or whole without the written permission of Black Box Corp. is prohibited.

© Copyright 2012 Black Box Corporation of Pennsylvania d/b/a Black Box Network Services. All Rights Reserved.

INTERPRET/GEOMETRIC TOLERANCING PER	
MATERIAL	CRS
FINISH	POWDER COAT
DO NOT SCALE DRAWING	

NAME	DATE	TITLE:
DRAWN	Drawn By	3/11/2013
ENG APPR	Approved By	3/11/2013
CHECKED	Checked By	3/11/2013
COMMENTS:		

SIZE DWG. NO. REV
B C5EEZSP-xxPAK A

SCALE: 1:1 SHEET 1 OF 1