

# TRENDnet®



---

## Quick Installation Guide TEW-821DAP (V2)

# Table of Contents

---

## **1 English**

1. Before You Start
2. Quick Reference
3. Hardware Installation and Configuration

# 1. Before You Start

---

## Package Contents

- TEW-821DAP
- Quick Installation Guide
- Network cable (1.5m / 5 ft.)
- Power adapter (12V DC, 1A)
- Mounting plate and cable guard

## Minimum Requirements

- A computer with an available network LAN port and web browser
- Network switch with an available network LAN port connected to existing network


## Optional Equipment

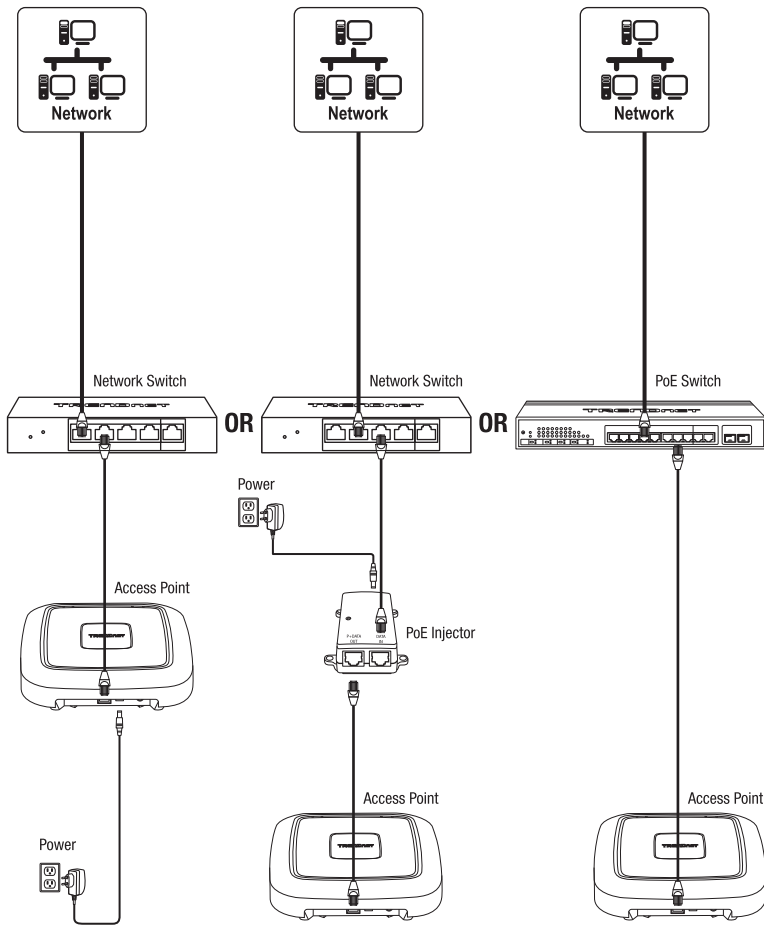
- TRENDnet TPE-113GI (PoE injector) for supplying both power and data over Ethernet to the access point if no PoE sourcing equipment is available such as a PoE switch
- TRENDnet TEW-WLC100 (Wireless LAN Controller) or TEW-WLC100P (PoE+ Wireless LAN Controller) for centralized multiple access point management and monitoring (Note: If using the TEW-WLC100 or TEW-WLC100P, please refer to the quick installation guide included with the wireless controller for initial setup with your access point.)
- Power drill/drill bits and Phillips bit or screwdriver for mounting

**Note:** The access point complies with the IEEE 802.3af Power over Ethernet (PoE) standard and can be used with other 802.3at or 802.3af PoE compliant devices such as PoE switches and PoE injectors to deliver both power and data to the access point through the network LAN port. If no PoE sourcing equipment is available, alternatively, the included power adapter may be used to power the access point.

## 2. Quick Reference

**Note:** By default, the wireless network name/SSID and wireless encryption settings have been pre-configured for your convenience and can be located on the included preset wireless settings sticker or on the device label located on the back of the access point. By default, the access point web management configuration page can be accessed using the URL <http://tew-821dap> or using the default LAN IP address <http://192.168.10.100>. At default settings and initial setup, if the access point is connected to a network with a DHCP server providing IP address settings automatically, the access point will obtain IP address settings from the network DHCP server and if no DHCP server is available, the access point will use the default IP address settings 192.168.10.100 / 255.255.255.0.

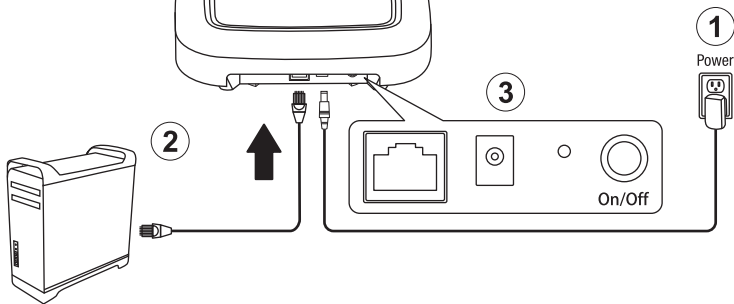
Preset Wireless Settings	
<b>Wi-Fi Name/SSID</b> (AC/N) TRENDnet821_5GHz_XXXX (N/B/G) TRENDnet821_2.4GHz_XXXX	
<b>Wi-Fi Password</b> XXXXXXXXXXXXXXXX	
<b>Management Login</b> <a href="http://tew-821dap">http://tew-821dap</a> username: admin password: admin	



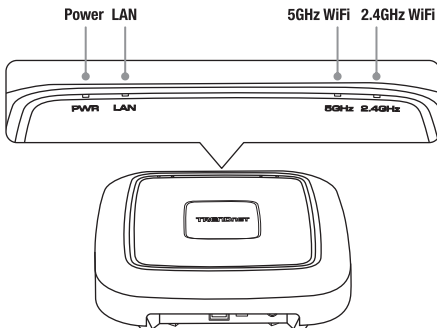
### 3. Hardware Installation and Configuration

**Note:** It is strongly recommended to configure the access point first before mounting.

1. Connect a network cable from the network LAN port of your access point to your computer.
2. Connect the included power adapter from a power outlet to your access point power port.
3. Push the Power On/Off switch to turn on the access point.



4. The Power (PWR), LAN, 5GHz and 2.4GHz LEDs will turn on to indicate that the access point is ready.



5. Assign a static IP address to your computer's network adapter in the subnet of 192.168.10.x (e.g. 192.168.10.25) and subnet mask of 255.255.255.0.

**Note:** For more information on assigning a static IP address to your computer's network adapter, please refer to item Q1 in the last section of the installation guide, Installation Tips and Troubleshooting.

6. Open your web browser, type the default URL <http://tew-821dap> or default IP address <http://192.168.10.100> of the wireless access point in the address bar, and then press **Enter**. The default IP address is 192.168.10.100.



7. Select your language from the Language drop-down list and enter the User name and Password, and then click **Login**. By default:

User Name: **admin**

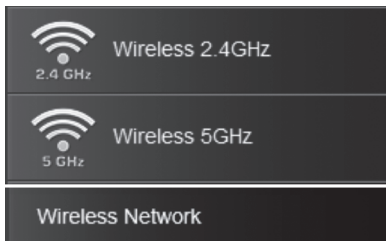
Password: **admin**

8. To change the administrator password used to access the wireless access point configuration page, in the Administrator Settings window, enter the new password in the **New Password** and **Verify Password** fields and click **Next**. Your new password settings will be applied and you will be prompted to log into the access point configuration using the new password settings. Log into the access point configuration using the new password.

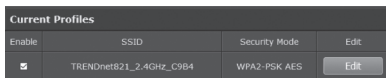
**Note:** It is strongly recommended to change your access point configuration password.

9. To configure your wireless network name/SSID and wireless encryption settings, click the wireless band you would like to configure **Wireless 2.4GHz** or **Wireless 5GHz** and click on **Wireless Network**.

**Note:** By default, the wireless network name/SSID and wireless encryption has been pre-configured for your convenience and can be located on the included wireless settings sticker or on the device label located on the back of the access point. If you are modifying the wireless settings, you will need to connect to the access point with your WiFi clients using the new settings.



10. In the Current Profiles, click **Edit** next to the enabled entry.



11. To change the wireless network name/SSID for the selected wireless band, under Wireless Settings, enter the new name in the **SSID** field. Click **Save** at the bottom of the page to temporarily save the settings.

**Note:** The wireless network name/SSID is the name your WiFi clients will need to search and discover when connecting to your access point wireless network.





12. To change the wireless encryption key for the selected wireless band, under WPA, enter the new encryption key in the **Pre-Shared Key** field. Click **Save** at the bottom of the page to temporarily save the settings.


WPA	
WPA Cipher	AES
Pre-Shared Key	•••••••• <input type="checkbox"/> Show Password
Key Update Interval	3600 seconds

13. In the top left main menu, click **Apply/Discard Changes** and click on **Save & Apply** to save & commit the configuration changes.

**Important Note:** Configuration changes in the access point web management configuration are not applied until you permanently **Save & Apply** under **Apply/Discard Changes**. This allows you to make multiple configuration changes and applying multiple changes all at the same time. If there are pending changes that have not yet been permanently saved, the **Apply/Discard Changes** button will flash and the number will indicate the number of pending changes that have not yet been permanently saved.

**Apply/Discard Changes: 2**

14. To configure your access point LAN IP address settings, click **System** and click **IP Settings**.

 System

Wizard

Operation Mode

IP Settings

Spanning Tree Settings

15. Under LAN Connection type, click the **Connection Type** drop-down list to select either **DHCP** (default setting) or **STATIC**. Selecting **DHCP** will set your access point to obtain IP address settings automatically from a DHCP server on your network and selecting **STATIC** will allow you to manually assign your access point IP address settings to meet the IP requirements of your network. If you select **STATIC**, enter the new IP address settings in the **IP Address**, **Subnet Mask**, **Default Gateway**, and **Primary/Secondary DNS Server** fields. After you have completed configuring the access point IP address settings, click **Save** at the bottom of the page to temporarily save the settings. To permanently save the configuration changes, click **Apply/Discard Changes** and click on **Save & Apply**.

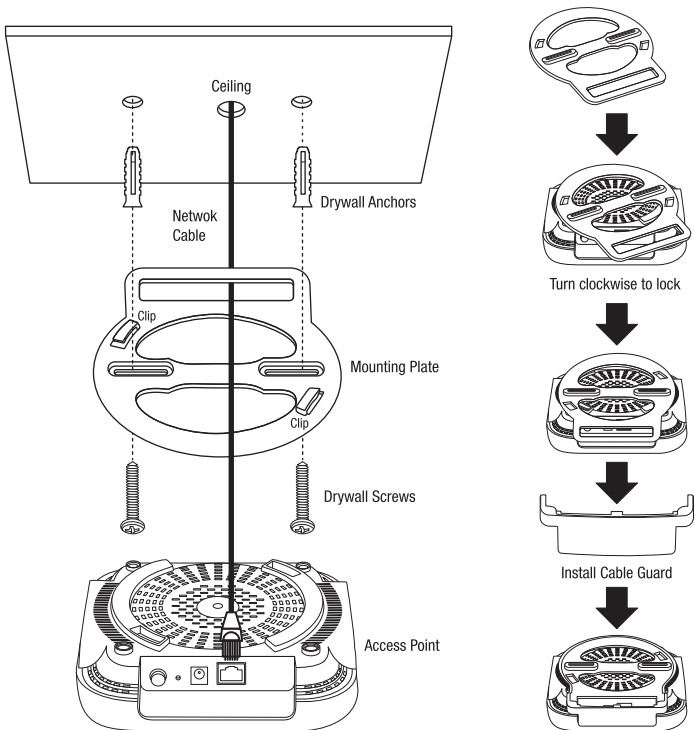
The screenshot displays a configuration interface for LAN settings. At the top, the 'LAN Connection Type' section features a dropdown menu currently set to 'STATIC', with 'DHCP' also visible as an option. Below this, the 'LAN Interface Setting' section contains four input fields: 'IP Address' (192.168.10.100), 'Subnet Mask' (255.255.255.0), 'Default Gateway' (empty), and 'DNS Server Setting' which includes 'Primary DNS Server' and 'Secondary DNS Server' (both empty). At the bottom of the interface, there are three buttons: a 'Save' button, a dark 'Apply/Discard Changes: 2' button, and a 'Save & Apply' button.

16. After you have completed access point configuration, reconfigure your computer's network adapter back to the original settings to obtain IP address settings automatically using DHCP.

**Note:** For more information on reconfiguring your computer's network adapter to obtain IP address settings automatically using DHCP, please refer to item Q2 in the last section of the installation guide, Installation Tips and Troubleshooting.

17. To mount the access point, first route the network cable through the largest opening in the mounting plate and install the mounting plate to the desired wall or ceiling using the included drywall anchors and screws. Install the mounting plate with the clips facing away from the wall or ceiling. If wall mounting, install the mounting plate with the correct orientation. After the mounting plate is properly installed, connect the network cable to the network LAN port of the access point, align the access point mounting holes with the mounting plate clips and rotate the access point clockwise to lock into place. Finally, install the cable guard by sliding it onto the mounting plate until it locks into place.

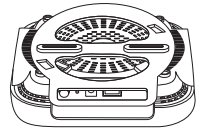
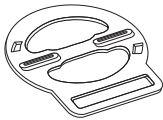
### Ceiling mounting



## Mounting Plate (Orientation for wall mounting)



This side up



Turn clockwise to lock

To download the latest version of the user's guide, please go to <http://www.trendnet.com/support> and select the TEW-821DAP H/W: v2.0R within the Product Download drop-down list.

# Declaration of Conformity

TRENDnet<sup>®</sup>

## Manufacturer's Name and Address

TRENDnet, Inc.  
20675 Manhattan Place  
Torrance, CA 90501 USA

Zwolsestraat 156 2587 WB  
The Hague The Netherlands



## Product Information

**Model Number:** TEW-821DAP  
**Product Name:** AC1200 Dual Band PoE Indoor Wireless Access Point  
**Trade Name:** TRENDnet

TRENDnet hereby declare that the product is in compliance with the essential requirements and other relevant provisions under our sole responsibility.

**Safety** EN 60950-1: 2006 + A11: 2009 + A1: 2010 + A12: 2011 + A2: 2013

**EMC** EN 301 489-1 V2.1.1 (2017-02)  
EN 301 489-17 V3.1.1 (2017-02)  
EN 55032: 2015  
EN 55024: 2010 + A1: 2015

**Radio Spectrum & Health** EN 300 328 V2.1.1 (2016-11)  
EN 301 893 V2.1.1 (2017-05)  
EN 62311: 2008

**Energy Efficiency** Regulation (EC) No. 1275/2008, No. 278/2009, No. 801/2013

This product is herewith confirmed to comply with the Directives.

**Directives:** Low Voltage Directive 2014/35/EU  
EMC Directive 2014/30/EU  
RED Directive 2014/53/EU  
EMF Directive 2013/35/EU  
Ecodesign for ErP Directive 2009/125/EC  
RoHS Directive 2011/65/EU  
WEEE Directive 2012/19/EU  
REACH Regulation (EC) No. 1907/2006

Person responsible for this declaration.

Date: May 10, 2018

Name: Sonny Su

Title: Director of Technology

Signature:

A handwritten signature in black ink, appearing to read 'Sonny Su', is written over a horizontal line.



## Installation Tips and Troubleshooting

---

### Q1: How do I configure my computer's network adapter with a static IP address?

**Note:** Please note that although the following procedures are provided to follow for your operating system network adapter settings to be used as general guidelines, however, it is strongly recommended that you consult your computer or operating system manufacturer directly for assistance on the proper procedure for configuring network settings. If you are experiencing difficulties, please contact your computer or operating system manufacturer for assistance.

#### **Windows 2000/XP/Vista/7/8/8.1/10**

1. On your keyboard, press **Windows Logo + R** keys simultaneously to bring up the Run dialog box.
2. In the dialog box, type **ncpa.cpl** to bring up the Network Connections window.
3. Right-click the **Local Area Connection** or **Ethernet** icon, click **Properties**, and double-click **Internet Protocol Version 4 (TCP/IPv4)**.
4. Then click **Use the following IP address** and assign your network adapter a static IP address. See example static IP address settings below.
  - IP address: 192.168.10.25
  - Subnet mask: 255.255.255.0
5. Click **OK** on both TCP/IPv4 Properties and Local Area Connection Properties windows.

#### **MAC OS X**

1. From the **Apple** drop-down list, select **System Preferences**.
2. Click the **Network icon**.
3. From the **Location** drop-down list, select **Automatic**.
4. Select and view your Ethernet connection.
  - For MAC OS 10.4, from the **Show** drop-down list, select **Built-in Ethernet** and select the **TCP/IP** tab
  - For MAC OS 10.5 and above, in the left column, select **Ethernet**.
5. Configure TCP/IP to use a static IP.
  - From the **Configure IPv4** or **Configure** drop-down list, select **Manually** and assign your network adapter a static IP address. Then click the **Apply** or **Apply Now** button. See example static IP address settings below.
    - IP address: 192.168.10.25
    - Subnet mask: 255.255.255.0
6. You may be prompted to restart your computer to apply the new IP address settings.

## **Q2: I configured my computer's network adapter with a static IP address, how do I reconfigure my computer's network adapter to default settings and obtain an IP address automatically using DHCP?**

**Note:** Please note that although the following procedures are provided to follow for your operating system network adapter settings to be used as general guidelines, however, it is strongly recommended that you consult your computer or operating system manufacturer directly for assistance on the proper procedure for configuring network settings. If you are experiencing difficulties, please contact your computer or operating system manufacturer for assistance.

### **Windows 2000/XP/Vista/7/8/8.1/10**

1. On your keyboard, press **Windows Logo + R** keys simultaneously to bring up the Run dialog box.
2. In the dialog box, type **ncpa.cpl** to bring up the Network Connections window.
3. Right-click the **Local Area Connection** or **Ethernet** icon, click **Properties**, and double-click **Internet Protocol Version 4 (TCP/IPv4)**.
4. Then click **Obtain an IP address automatically** and **Obtain DNS server address automatically**.
5. Click **OK** on both TCP/IPv4 Properties and Local Area Connection Properties windows.

### **MAC OS X**

1. From the **Apple** drop-down list, select **System Preferences**.
2. Click the **Network icon**.
3. From the **Location** drop-down list, select **Automatic**.
4. Select and view your Ethernet connection.
  - In MAC OS 10.4, from the **Show** drop-down list, select **Built-in Ethernet** and select the **TCP/IP** tab.
  - In MAC OS 10.5 and above, in the left column, select **Ethernet**.
5. Configure TCP/IP to use a static IP.
  - From the **Configure IPv4** or **Configure** drop-down list, select **Using DHCP** and click the **Apply** or **Apply Now** button.
6. You may be prompted to restart your computer to apply the new IP address settings.

**Q3: I typed http://192.168.10.100 in my Internet Browser Address Bar, but an error message says “The page cannot be displayed.” How can I access the wireless access point management page?**

1. Double check all physical cable and port connections.
2. Make sure the PWR/LAN/2.4GHz/5GHz LEDs on the wireless access point front panel are on.
3. Make sure your computer's network adapter is configured with a static IP address. (Refer to Q1 for instructions on assigning a static IP address).
4. Make sure your computer is connected to the access point network LAN port and LAN LED is on.
5. Since the access point default IP address is 192.168.10.100, make sure there are no other network devices assigned an IP address of 192.168.10.100

**Note:** After checking all of the recommended items above, please attempt to access the wireless access point management page again.

**Q4: I changed the IP address of the wireless access point, but I forgot it. How do I reset my wireless access point to factory default?**

Using a paper clip, push and hold the reset button on the rear panel of the wireless access point and release after 15 seconds. The default IP address of the access point is 192.168.10.100. The default user name and password is “admin”.

**Q5: How do I find the current IP address of my computer's network adapter?**

**Note:** Please note that although the following procedures are provided to follow for your operating system network adapter settings to be used as general guidelines, however, it is strongly recommended that you consult your computer or operating system manufacturer directly for assistance on the proper procedure for configuring network settings. If you are experiencing difficulties, please contact your computer or operating system manufacturer for assistance.

### **Command Prompt Method**

#### **Windows 2000/XP/Vista/7/8/8.1/10**

1. On your keyboard, press **Windows Logo + R** keys simultaneously to bring up the Run dialog box.
2. In the dialog box, type **cmd** to bring up the command prompt.
3. In the command prompt, type **ipconfig /all** to display your IP address settings.



## MAC OS X

1. Navigate to your **Applications** folder and open **Utilities**.
2. Double-click on **Terminal** to launch the command prompt.
3. In the command prompt, type **ipconfig getifaddr <en0 or en1>** to display the wired or wireless IP address settings.

**Note:** **en0** is typically the wired Ethernet and **en1** is typically the wireless Airport interface.

## Graphical Method

### Windows XP/Vista/7/8/8.1/10

1. On your keyboard, press **Windows Logo + R** keys simultaneously to bring up the Run dialog box.
2. In the dialog box, type **ncpa.cpl** to bring up the Network Connections window.
3. Double-click the Local Area Connection icon and click the Details button to view the current IP address settings.

**Note:** The computer's network adapter must be enabled and connected to view the current IP address settings.

## MAC OS X

1. From the **Apple** menu, select **System Preferences**.
2. In System Preferences, from the **View** menu, select **Network**.
3. In the Network preference window, click a network port (e.g., Ethernet, AirPort, modem). If you are connected, you'll see your IP address settings under "Status:"

# TRENDnet<sup>®</sup>

---

## Certifications

This device complies with Part 15 of the FCC Rules.

Operation is subject to the following two conditions:

- (1) This device may not cause harmful interference.
- (2) This device must accept any interference received.

Including interference that may cause undesired operation.



Waste electrical and electronic products must not be disposed of with household waste. Please recycle where facilities exist. Check with your Local Authority or Retailer for recycling advice.

Applies to PoE Products Only: This product is to be connected only to PoE networks without routing to the outside plant.

## Note

The Manufacturer is not responsible for any radio or TV interference caused by unauthorized modifications to this equipment. Such modifications could void the user's authority to operate the equipment.

## Advertencia

En todos nuestros equipos se mencionan claramente las características del adaptador de alimentación necesario para su funcionamiento. El uso de un adaptador distinto al mencionado puede producir daños físicos y/o daños al equipo conectado. El adaptador de alimentación debe operar con voltaje y frecuencia de la energía eléctrica domiciliar existente en el país o zona de instalación.

## Technical Support

If you have any questions regarding the product installation, please contact our Technical Support.

Toll free US/Canada: **1-855-373-4741**

Regional phone numbers available at [www.trendnet.com/support](http://www.trendnet.com/support)

## TRENDnet

20675 Manhattan Place  
Torrance, CA 90501  
USA

## Product Warranty Registration

Please take a moment to register your product online. Go to TRENDnet's website at: [www.trendnet.com/register](http://www.trendnet.com/register)