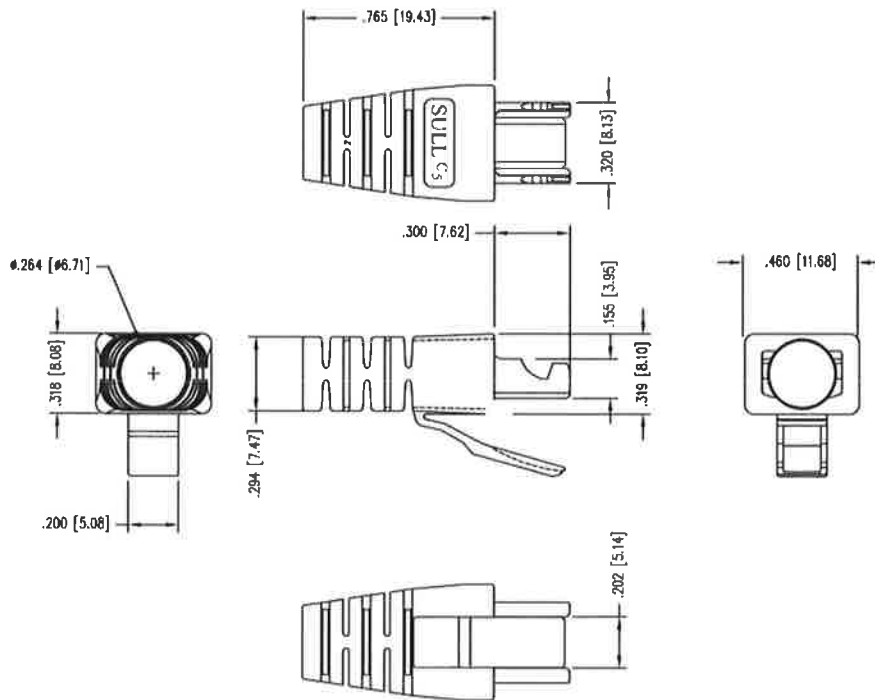
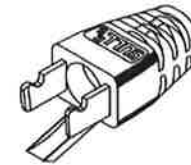


REVISIONS		
Rev	DESCRIPTION	DATE
A	INITIAL RELEASE	

C5EEZ-BOOT-CL

- FOR USE WITH EZ-RJ45® STYLE PLUGS
- OPENING TO ACCEPT CABLES TO 6.7 mm
- THIS PART IS CLEAR IN COLOR
- MATERIAL - POLYCARBONATE, V-0



SPECIFICATIONS:

PLUG MATERIAL: POLYCARBONATE V0
 OPERATION TEMPERATURE: -40° C TO +70° C
 UL RECOGNIZED FILE# E188111
 FLAME AUTO EXTINGUISH 94-VO

MANUFACTURED BY SULLSTAR TECHNOLOGIES, INC.
 EZ-RJ45® IS A REGISTERED TRADEMARK OF SULLSTAR TECHNOLOGIES, INC.

UNLESS OTHERWISE SPECIFIED:
 DIMENSIONS ARE IN INCHES
 TOLERANCES:
 FRACTIONAL ±
 ANGULAR: MACH ± BEND ±
 TWO PLACE DECIMAL ±
 THREE PLACE DECIMAL ±

The information contained in this document is the sole property of Black Box Corporation of Pennsylvania. Any reproduction in part or whole without the written permission of Black Box Corp. is prohibited.
 © Copyright 2012 Black Box Corporation of Pennsylvania d/b/a Black Box Network Services. All Rights Reserved.

INTERPRET DIMENSIONAL TOLERANCING PER:
 MATERIAL: CRS
 FINISH: POWDER COAT
 DO NOT SCALE DRAWING



NAME	DATE	TITLE:
DRAWN	Drawn By	3/11/2013
ENG APPR	Approved By	3/11/2013
CHECKED	Checked By	3/11/2013
COMMENTS:		
SIZE	DWG. NO.	REV
B	C5EEZ-BOOT-CL	A
SCALE: 1:1		SHEET 1 OF 1