

Hardened Media Converter Switches, 10-Mbps

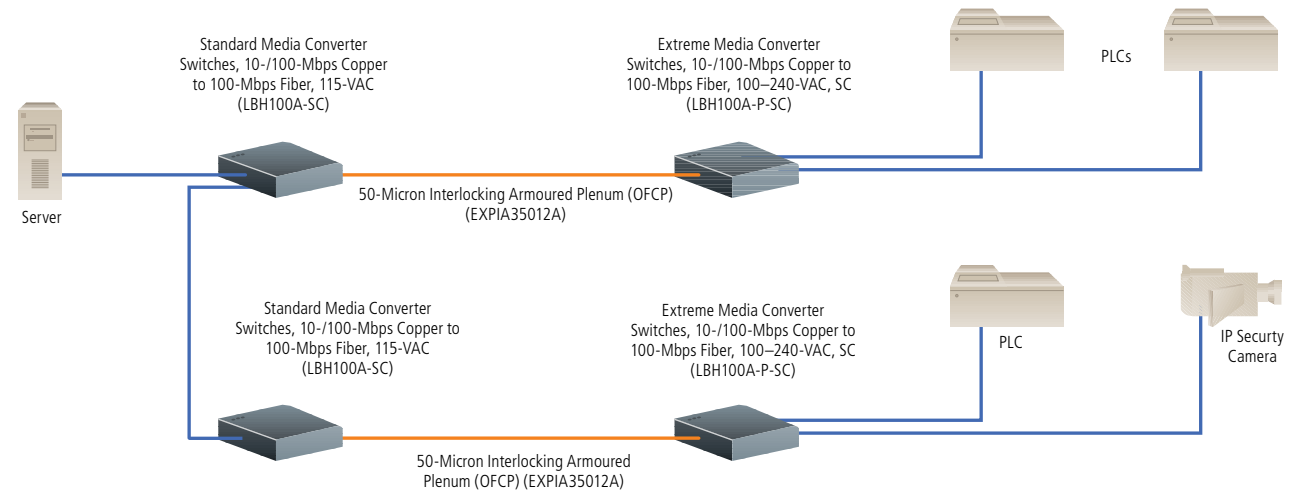
These Media Converter Switches
can withstand even the toughest
environments.



FEATURES

- » Media Converter Switches feature LEDs on two sides so you can view network status at a glance no matter which way the unit is mounted.
- » Function as both a media converter and a switch.
- » Provide one 100-Mbps or 1000-Mbps Gigabit fiber port and two 10-/100-Mbps or 10-/100-/1000-Mbps UTP switch ports.
- » Copper ports are autosensing for speed and duplex and feature MDI/MDI-X.
- » Support VLAN tagging and Spanning Tree passthrough.
- » Tough enough to withstand any environment—whether it's the wiring closet, the factory floor, or even the desert!
- » Mount on DIN rails with optional brackets or you can rackmount up to 16 units in the optional trays.
- » FF WARRANTY — 3 Years

Switch PLCs and an IP security camera on the shop floor to a 100-/1000-Mbps server over fiber plenum cable.



OVERVIEW

Use Standard Media Converter Switches in clean, temperature-controlled areas of +32 to +104° F (0 to +40° C), such as offices and closets.

Hardened Media Converter Switches suit -13 to +140° F (-25 to +60° C) operation in dusty or dirty environments. Their sealed cases are a heat sink, so no internal airflow is needed for cooling, and they resist contaminants such as dust, dirt, and moisture.

For harsher environments of -40 to +167° F (-40 to +75° C), choose Extreme Media Converter Switches. These rugged units are for outdoor use (they only require protection from water) and feature a sealed case, which uses its own metal shell as a heat sink.

Power supplies with recessed IEC connectors work with any IEC standard power cord, making them adaptable to most international locations.

DC-powered Hardened and Extreme units have internal screw terminals for connecting DC power in addition to the AC power jack. You can use them simultaneously with both your DC power supply and an AC power adapter (sold separately) to provide redundant power input.

You can also order a Powered Rackmount Tray, available with one or two common AC adapters that output 9 VDC to 16 Media Converter Switches.



The DIN Rail Mounting Bracket (DIN-RAIL MC2) features a spring latch that enables you to quickly add or remove a module without using a screwdriver. Like the Media Converter Switches, the bracket is all metal, tough, and durable.

Altitude — -200 to 13,000 ft. (-60.9 to 3962.4 m)
Approvals — UL® Listed 60950
Distance (Maximum) — Multimode models: 2 km (1.2 mi.);
 Single-mode SC models: 20 km (12.4 mi.);
 Single-mode LC models: 15 km (9.3 mi.);
 Single-mode, long-distance SC models: 40 km (24.8 mi.)

Enclosure — Steel
Environmental —

Operating Temperature:
 Standard: +32 to +104° F
 (0 to +40° C);
 Hardened: -13 to +140° F
 (-25 to +60° C);
 Extreme: -40 to +167° F
 (-40 to +75° C)
Storage Temperature: -40 to +185° F (-40 to +85° C);
Humidity: -95%, noncondensing

Standards — IEEE 802.3, IEEE 802.3u, IEEE 802.1p/q, IEEE 802.3z,

CE Approval — All except for DIN-RAIL MC2, LH1505P-RACK

RoHS — All except LBH100A-P-SSC-48, LBH100A-H-SSCL, LBH100AE-H-SSCL,
 LBH100A-H-PS, LBH100AE-H-PS, LBH100A-P-PS, LE1505-RACK,
 LH1505P-RACK-2-9-V

TECH SPECS

Power — Input: Standard 115-VAC models:
 115 VAC, 60 Hz, external;

Standard 240-VAC models: 240 VAC, 50 Hz, external, with IEC connector;
 Hardened and Extreme AC models: 100–240 VAC, 47–63 Hz, external;
 12-, 24-, and 48-VDC models: Internal terminal block plus jack for AC power
 supply (not included);

Draw: 10-/100-Mbps models:
 4.8 watts typical, 6 watts maximum;
 10-/100-/1000-Mbps models: 4 watts
 typical, 5 watts maximum

Size — 3.5"H x 3"W x 1"D
 (8.9 x 7.6 x 2.5 cm)

Weight — Media Converter Switches:

0.3 lb. (0.1 kg);

Standard and Hardened Power Supplies:

0.4 lb. (0.2 kg);

Extreme Power Supplies: 0.5 lb. (0.2 kg)

Buyer's Guide | 10-/100-Mbps Media Converter Switches, Standard: +32 to +104° F (0 to +40° C)

	Multimode			Single-Mode		
	SC	ST®	MT-RJ	SC	LC	Long-Distance/SC
115 VAC, 60 Hz	LBH100A-SC	LBH100A-ST	LBH100A-MT	LBH100A-SSC	LBH100A-SLC	LBH100A-SSCL
230 VAC, 50 Hz w/IEC pwr. connector	LBH100AE-SC	LBH100AE-ST	LBH100AE-MT	LBH100AE-SSC	—	—

Buyer's Guide | 10-/100-Mbps Media Converter Switches, Hardened: -13 to +140° F (-25 to +60° C)

	Multimode			Single-Mode		
	SC	ST	MT-RJ	SC	LC	Long-Distance/SC
115 VAC, 60 Hz	LBH100A-H-SC	LBH100A-H-ST	LBH100A-H-MT	LBH100A-H-SSC	—	LBH100A-H-SSCL
230 VAC, 50 Hz w/IEC pwr. connector	LBH100AE-H-SC	LBH100AE-H-ST	LBH100AE-H-MT	LBH100AE-H-SSC	LBH100AE-H-SLC	LBH100AE-H-SSCL
12 VDC*	LBH100A-H-SC-12	LBH100A-H-ST-12	—	LBH100A-H-SSC-12	—	—
24 VDC*	LBH100A-H-SC-24	LBH100A-H-ST-24	LBH100A-H-MT-24	LBH100A-H-SSC-24	—	LBH100A-H-SSCL-24
24 VDC* w/DIN rail bracket	LBH100A-HD-SC-24	LBH100A-HD-ST-24	LBH100A-HD-MT-24	LBH100A-HD-SSC-24	—	LBH100A-HD-SSCL-24
48 VDC*	LBH100A-H-SC-48	LBH100A-H-ST-48	—	LBH100A-H-SSC-48	—	LBH100A-H-SSCL-48

Buyer's Guide | 10-/100-Mbps Media Converter Switches, Extreme: -40 to +167° F (-40 to +75° C)

	Multimode			Single-Mode			
	SC	ST	MT-RJ	SC	ST	LC	Long-Distance/SC
115 VAC, 60 Hz	LBH100A-P-SC	LBH100A-P-ST	LBH100A-P-MT	LBH100A-P-SSC	—	LBH100A-P-SLC	LBH100A-P-SSCL
115 VAC, 60 Hz w/DIN rail bracket	LBH100A-PD-SC	—	—	—	—	—	—
230 VAC, 50 Hz w/IEC power connector	LBH100AE-P-SC	LBH100AE-P-ST	LBH100AE-P-MT	LBH100AE-P-SSC	—	—	LBH100AE-P-SSCL
12 VDC*	LBH100A-P-SC-12	LBH100A-P-ST-12	—	LBH100A-P-SSC-12	LBH100A-P-SST-12	—	—
24 VDC*	LBH100A-P-SC-24	LBH100A-P-ST-24	—	LBH100A-P-SSC-24	—	LBH100A-P-SLC-24	—
24 VDC* w/DIN rail bracket	LBH100A-PD-SC-24	LBH100A-PD-ST-24	—	LBH100A-PD-SSC-24	—	—	—
48 VDC*	LBH100A-P-SC-48	LBH100A-P-ST-48	—	LBH100A-P-SSC-48	—	—	—

Buyer's Guide | 10-/100-/1000-Mbps Media Converter Switches, Hardened or Extreme

	Hardened: -13 to +140° F (-25 to +60° C)		Extreme: -40 to +167° F (-40 to +75° C)	
	Multimode	Single-Mode	Multimode	Single-Mode
	SC	LC	SC	LC
100–240 VAC, 47–63 Hz	LBH2001A-H-SC	LBH2001A-H-LX	LBH2001A-P-SC	LBH2001A-P-LX
100–240 VAC, 47–63 Hz with IEC power connector	LBH2001AE-H-SC	LBH2001AE-H-LX	LBH2001AE-P-SC	LBH2001AE-P-LX
12 VDC*	LBH2001A-H-SC-12	LBH2001A-H-LX-12	LBH2001A-P-SC-12	LBH2001A-P-LX-12
24 VDC*	LBH2001A-H-SC-24	LBH2001A-H-LX-24	LBH2001A-P-SC-24	LBH2001A-P-LX-24
48 VDC*	LBH2001A-H-SC-48	LBH2001A-H-LX-48	LBH2001A-P-SC-48	LBH2001A-P-LX-48

* Models with terminal blocks for DC power also feature a jack for an AC power adapter (not included).

Item	Code	Item	Code
For spare power supplies, order...		For DIN rail mounting, order...	
AC Power Supplies for Media Converter Switches		DIN Rail Mounting Bracket	DIN-RAIL MC2 \$30.95
Standard		For rackmounting, order...	
115 VAC	LBH100A-115-VAC \$30.95	Rackmount Tray	LE1505-RACK \$122.95
240 VAC	LBH100AE-240-VAC \$30.95	Powered Rackmount Tray with (1) 9-V Power Supply	LH1505P-RACK \$255.95
Hardened		with (2) 9-V Power Supplies	LH1505P-RACK-2-9-V \$275.95
100–240 VAC	LBH100A-H-PS \$35.95		
100–240 VAC with IEC Connector	LBH100AE-H-PS \$35.95		
Extreme			
100–240 VAC	LBH100A-P-PS \$40.95		
100–240 VAC with IEC Connector	LBH100AE-P-PS \$40.95		

NOTE: Available in 10-Mbps versions and other interface types, such as other fiber connectors and BNC connectors. We also offer additional power options and DIN-rail-ready models. For details, contact our FREE Tech Support.