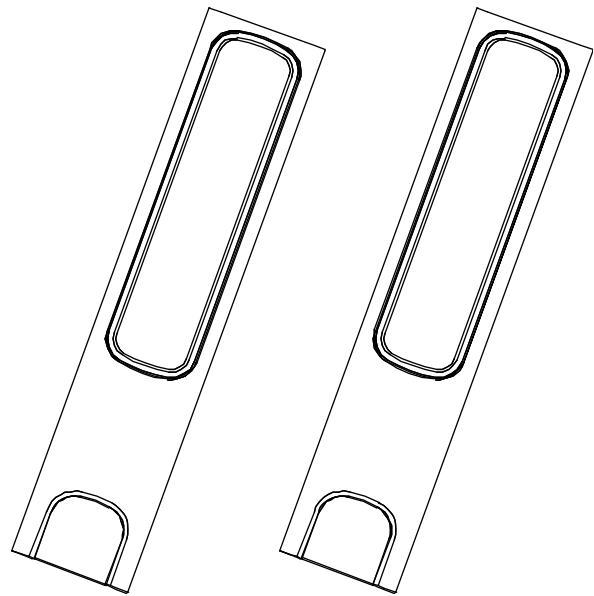




SMART[®]



Service Parts Diagrams

**For Model:
SBA-L**

Service Parts Diagrams Revision History

Revision 1 - June, 2010

- New document

Revision 2 - January, 2011

- Change 51-00771-20 to 51-00771-21

Revision 3 - October, 2014

- Change 60-00054-20 to 1023044

Revision 4 - February, 2017

- Change 1023044 to 1028024

Standard Warranty Terms

Base product: One-year limited equipment warranty

First Customer Ship: May, 2010

SMART Technologies

3636 Research Road NW
Calgary, AB T2L 1Y1
CANADA

Support +1.403.228.5940 or Toll Free 1.866.518.6791 (Canada/U.S.)

Support Fax +1.403.806.1256

www.smarttech.com/contactserviceparts www.smarttech.com

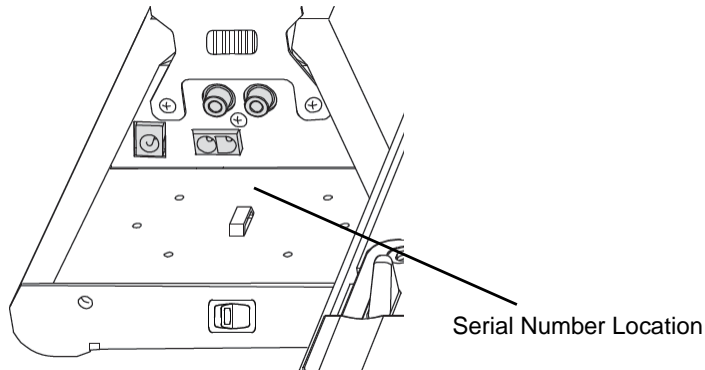


Service Parts Diagrams for the SBA-L Projection Audio System

Identifying Your Product Using the Serial Number 1
Ordering Parts 1
SBA-L Parts 2

Identifying Your Product Using the Serial Number

To make sure that you have the correct service parts diagrams, you must verify the serial number of your SBA-L. The serial number will be located on the back of the control speaker. An example of the serial number format is shown below.



A021CW04B0035

Serial Number Example

Ordering Parts

Customers

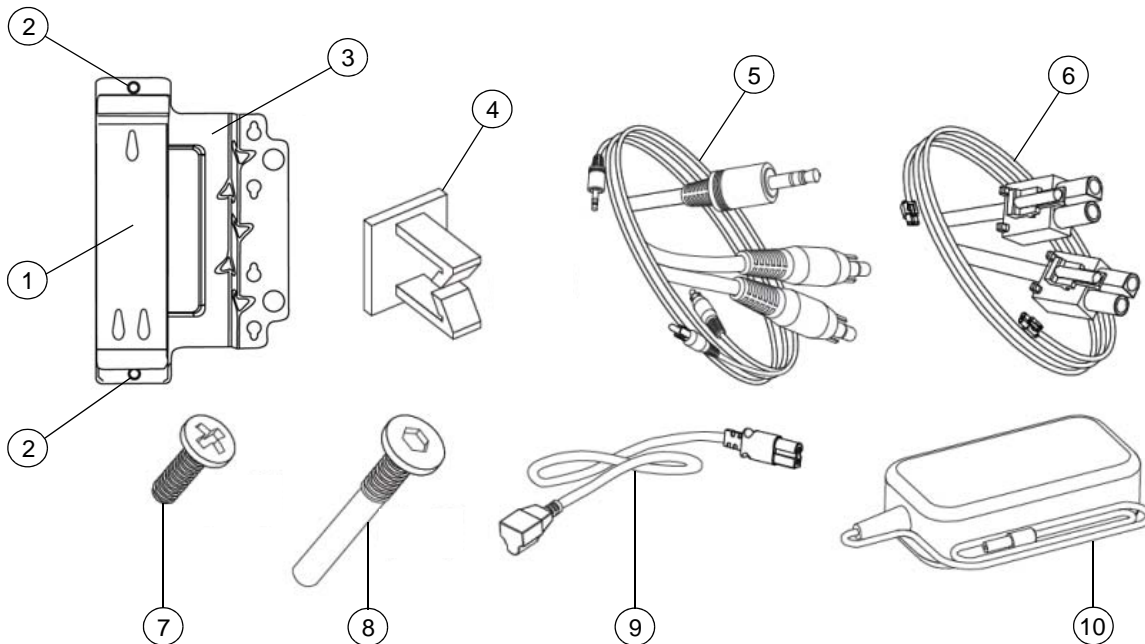
To order any of the parts in these service parts diagrams, contact your local reseller. To find a reseller near you, visit www.smarttech.com/where.

Dealers and Distributors

For specific technical and pricing enquiries in regards to these diagrams please contact our service parts department. Pricing is also available on-line via the SOURCE website (source.smarttech.com).

Web Form: www.smarttech.com/contactserviceparts
Phone: 1.888.42.SMART
International: +1.403.245.0333

SBA-L Parts



Item	Part No.	Qty	Description
1	51-00770-20	2	Bracket, wall mounting, speaker NOTE: Attaches to speaker body.
2	30-01247-20	4	Screw, M6 x 6 mm, Phillips, button head NOTE: For attaching 51-00770-20 to 51-00771-21.
3	51-00771-21	2	Bracket, mounting, SB6/SBX8 NOTE: Attaches to 51-00770-20 for mounting speakers to SMART Board 600 and X800 series.
4	30-01281-20	2	Clip, saddle "U", wire management
5	93-00742-20	1	Cable, audio, 3.5 mm male to dual RCA male, 10' 6" (3.2 m) NOTE: Connects control speaker to projector.
6	93-00741-20	1	Cable, audio, speaker, 7' 11" (2.4 m) NOTE: Connects audio from right to left speakers.
7	30-00915-20	8	Screw, No. 8 x 1/2", Phillips, pan head, for plastics NOTE: For attaching speakers to SMART Board 600 and X800 series.
8	30-01248-20	2	Screw, M5 x 22 mm, hex socket, button head NOTE: For attaching 51-00770-20 to speaker body.
9	93-00751-20	1	Cable, power, North America, 14' 9" (4.5 m)
9	93-00752-20	1	Cable, power, United Kingdom, 14' 9" (4.5 m)
9	93-00753-20	1	Cable, power, Europe, 14' 9" (4.5 m)
9	93-00754-20	1	Cable, power, Australia, 14' 9" (4.5 m)
9	93-00755-20	1	Cable, power, Japan, 14' 9" (4.5 m)
9	93-00756-20	1	Cable, power, China, 14' 9" (4.5 m)
9	93-00757-20	1	Cable, power, Korea, 14' 9" (4.5 m)
10	1028024	1	Power supply, 15V DC, 4A, universal switching