

ADD-SJUSBRA-ADAC3M

Juniper Networks® QFX-SFP-DAC-3MA to Brocade® (Formerly) 10G-SFPP-TWX-0301 Compatible TAA Compliant 10GBase-CU SFP+ to SFP+ Direct Attach Cable (Active Twinax, 3m)

Features

- Up to 10Gbps bi-directional data links
- Industry Standard small form pluggable
- Dual SFP Connectors
- Single Power Supply 3.3V
- Operating Temperature: 0 to 70 Celsius
- Hot Pluggable
- RoHS Compliant and Lead-Free



Applications

- 10G Fibre Channel
- 10G Ethernet

Product Description

This Juniper Networks® QFX-SFP-DAC-3MA to Brocade® (Formerly) 10G-SFPP-TWX-0301 dual oem compatible 10GBase-CU SFP+ to SFP+ active direct attach cable has a maximum reach of 3.0m (9.8ft). It is 100% Juniper Networks® to Brocade® (Formerly) compatible and has been programmed, uniquely serialized, data-traffic and application tested to ensure that it is compliant and functional. This cable will initialize and perform identically to Juniper Networks® and Brocade® (Formerly)'s individual cables and is built to meet or exceed OEM specifications. This product complies with MSA (Multi-Source Agreement) standards and is TAA (Trade Acts Agreement) compliant. We stand behind the quality of our products and proudly offer a limited lifetime warranty.

AddOn's transceivers are RoHS compliant and lead-free.

TAA refers to the Trade Agreements Act (19 U.S.C. & 2501-2581), which is intended to foster fair and open international trade. TAA requires that the U.S. Government may acquire only "U.S. – made or designated country end products."



General Specifications

| Parameter | Symbol | Min | Typ. | Max. | Unit | Notes |
|----------------------------|------------------|------|---------|-------------------|-------|-------|
| Data Rate | DR | | 10.3125 | | Gbps | 1 |
| Bit Error Rate | BER | | | 10 ⁻¹² | | |
| Operating Case Temperature | T _c | 0 | | 70 | °C | 2 |
| Storage Temperature | T _{stg} | -40 | | 85 | °C | 3 |
| Input Voltage | V _{cc} | 3.14 | 3.3 | 3.46 | V | 4 |
| Supply Current | I _{cc} | | 100 | 300 | mA | 4 |
| Cable Impedance | Z | 90 | 100 | 110 | Ω | |
| Product Weight | GD | | 72 | | g/PCS | |
| Cable Weight | GC | | 26 | | G/M | |
| Dust Cap Weight | GS | | 0.80 | | g/PCS | |
| Wire Gauge | | | 30 | | AWG | |
| Tolerance Range | | | 4 | | ±cm | |

Notes:

1. IEEE 802.3ae compatible.
2. Case temperature.
3. Ambient temperature.
4. For electrical power interface.

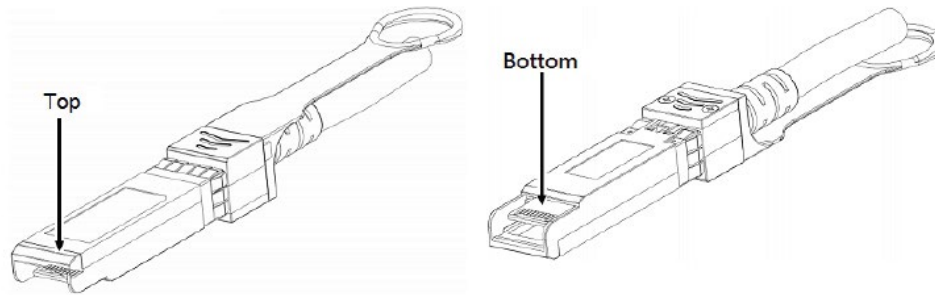
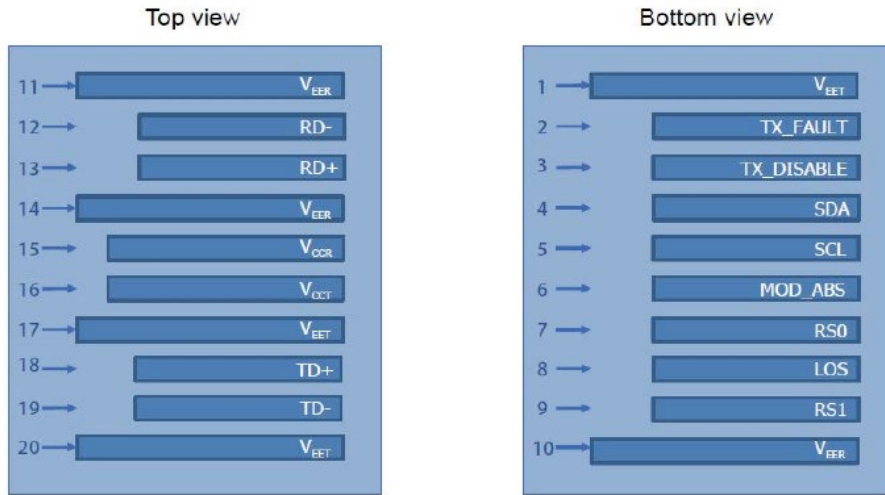
Pin Descriptions

| Pin | Symbol | Name/Description | Notes |
|-----|------------|---|-------|
| 1 | VeeT | Transmitter ground. Common with receiver ground. | 1 |
| 2 | Tx_Fault | Transmitter Fault. | |
| 3 | Tx_Disable | Transmitter Disable. Laser output disabled on "high" or "open." | 2 |
| 4 | SDA | Data line for Serial ID. | 3 |
| 5 | SCL | Clock line for Serial ID. | 3 |
| 6 | MOD_ABS | Module absent. Grounded within the module. | 3 |
| 7 | RS0 | No connection required. | |
| 8 | LOS | Loss of Signal. Logic 0 indicated normal operation. | 4 |
| 9 | RS1 | No connection required. | |
| 10 | VeeR | Receiver ground. Common with transmitter ground. | 1 |
| 11 | VeeR | Receiver ground. Common with transmitter ground. | 1 |
| 12 | RD- | Receiver Inverted DATA out. AC coupled. | |
| 13 | RD+ | Receiver NonInverted DATA out. AC coupled. | |
| 14 | VeeR | Receiver ground. Common with transmitter ground. | 1 |
| 15 | VccR | Receiver power supply. | |
| 16 | VccT | Transmitter power supply. | |
| 17 | VeeT | Transmitter ground. Common with receiver ground. | 1 |
| 18 | TD+ | Transmitter Non-Inverted DATA in. AC coupled. | |
| 19 | TD- | Transmitter Inverted DATA in. AC coupled. | |
| 20 | VeeT | Transmitter ground. Common with receiver ground. | 1 |

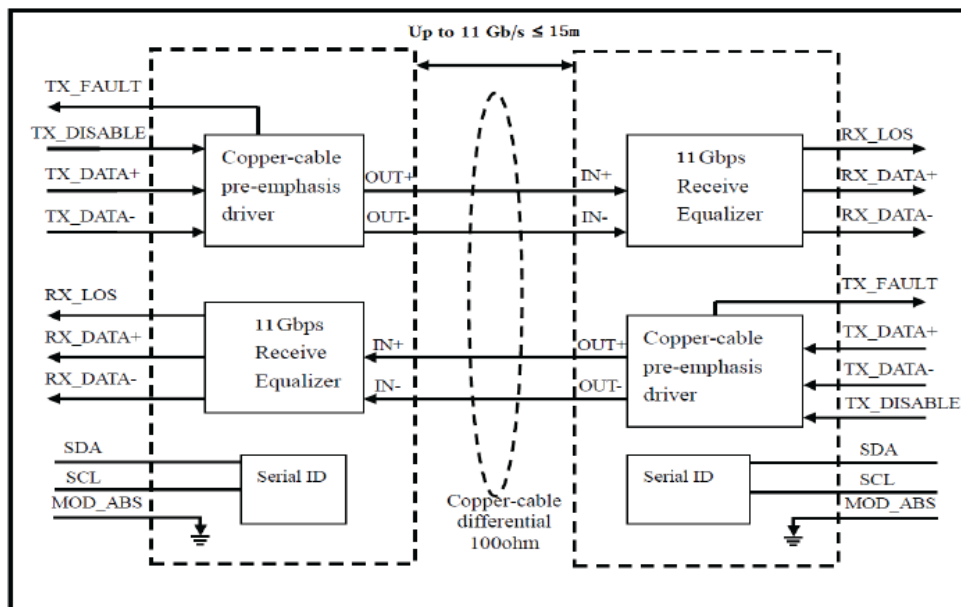
Notes:

1. Circuit ground is isolated from chassis ground.
2. Disabled: Tdis>2V or open, Enabled Tdis<0.8V.
3. Should be pulled up with 4.7kΩ-10kΩ on host board to a voltage between 2V and 3.6V.
4. LOS is open collector output.

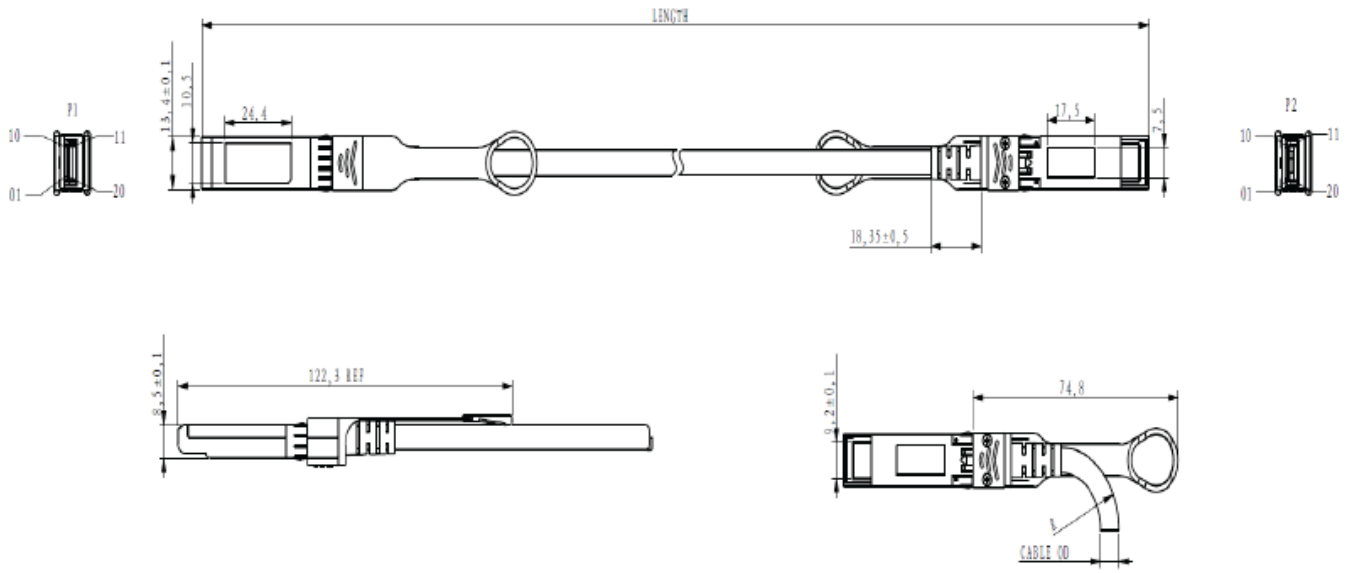
Electrical Pad Layout



Block Diagram



Mechanical Specifications



About AddOn Networks

In 1999, AddOn Networks entered the market with a single product. Our founders fulfilled a severe shortage for compatible, cost-effective optical transceivers that compete at the same performance levels as leading OEM manufacturers. Adhering to the idea of redefining service and product quality not previously had in the fiber optic networking industry, AddOn invested resources in solution design, production, fulfillment, and global support.

Combining one of the most extensive and stringent testing processes in the industry, an exceptional free tech support center, and a consistent roll-out of innovative technologies, AddOn has continually set industry standards of quality and reliability throughout its history.

Reliability is the cornerstone of any optical fiber network and is engrained in AddOn's DNA. It has played a key role in nurturing the long-term relationships developed over the years with customers. AddOn remains committed to exceeding industry standards with certifications from ranging from NEBS Level 3 to ISO 9001:2005 with every new development while maintaining the signature reliability of its products.



U.S. Headquarters

Email: sales@addonnetworks.com

Telephone: +1 877.292.1701

Fax: 949.266.9273

Europe Headquarters

Email: salesupportemea@addonnetworks.com

Telephone: +44 1285 842070