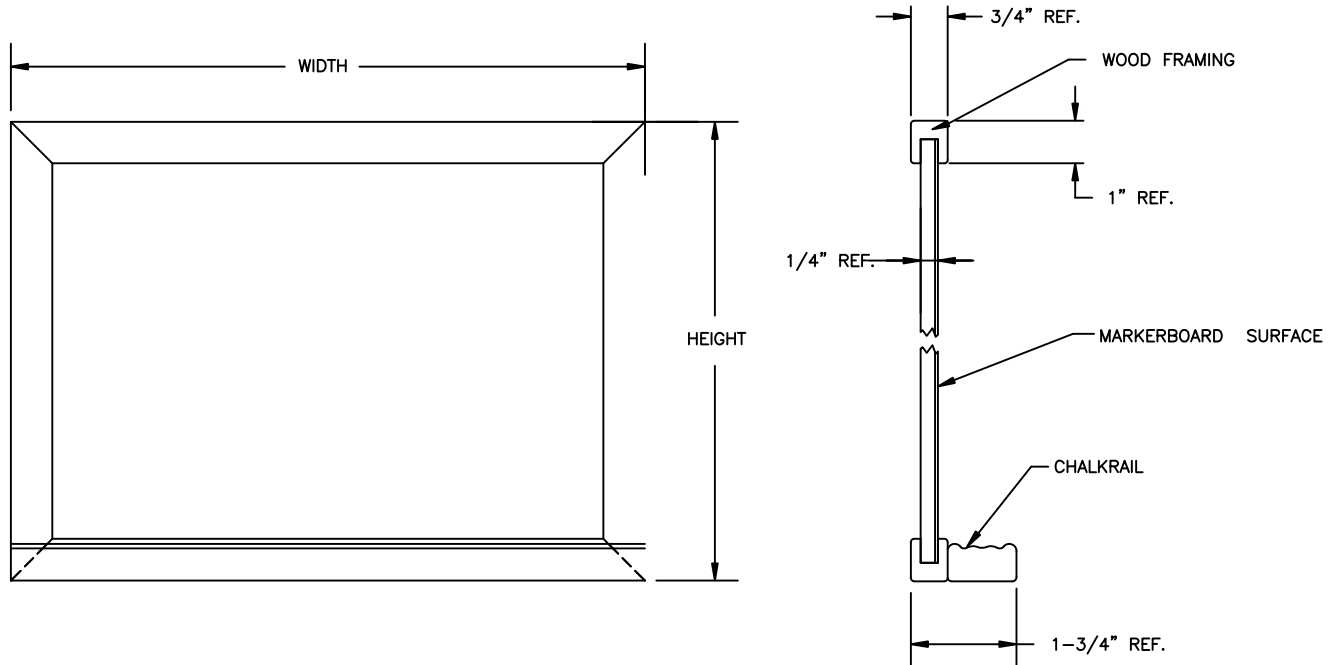


M1W Series

WOOD FRAMED PORCELAIN WHITEBOARD



Specifications

Wood framing to be clear-coated oak.

Framing to be permanently attached to the porcelain writing panel.

Writing panel shall be 28ga porcelain-on-steel laminated to 1/4" hardboard with a mylar backing.

Carries a 50-year guarantee.

Available in sizes 3'Hx4'W, 4'Hx4'W, 4'Hx5'W, 4'Hx6'W, 4'Hx'8'W, 4'Hx10'W, and 4'Hx12'W.