

## Wizard Multimedia Extender LP

Extend VGA video to four displays up to 500 feet (150 m) away with line powered receivers.



## FEATURES

### AVU4004A:

- » Distributes VGA video easily to four monitors.
- » Sends maximum resolutions at a maximum distance of 500 feet (152.4 m).
- » Transmits power to receivers. Great for areas short on outlets.
- » Also ideal for digital signage.

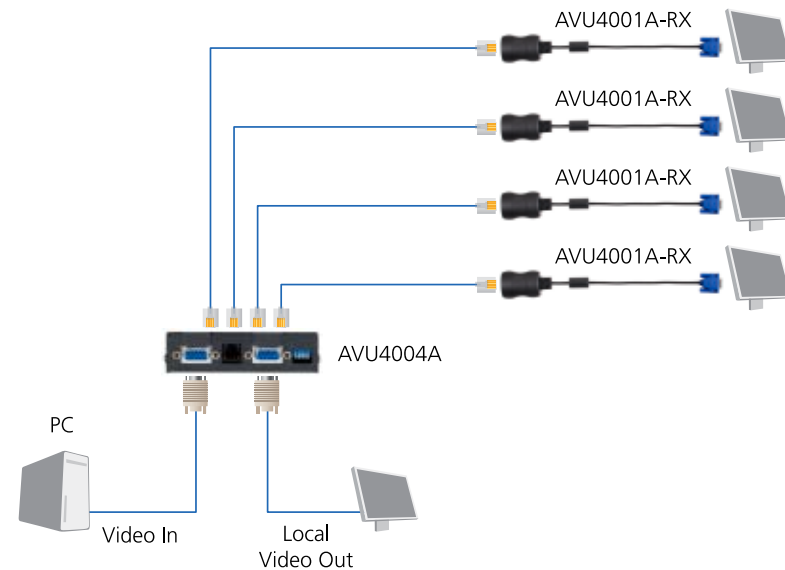
### AVU4001A-RX:

- » Attaches to a screen in a Wizard Multimedia Extender LP 4-Port Transmitter application.
- » Extends maximum resolutions at a maximum distance of 500 feet (152.4 m).
- » No need for external power. Use for video in areas short on outlets.

### AVU4001A Kit:

- » Includes one ACU4001A-TX transmitter unit and one AC4001A-RX receiver unit.

Connect the Wizard Multimedia Extender LP (AVU4004A) transmitter and up to four modules (AVU4001A-RX) driving remote displays and a local monitor.



## OVERVIEW

The Wizard Multimedia Extender LP (AVU4004A) enables you to distribute high quality analog video to four video displays, each of which can be up to 500 feet (150 meters) away. All links are made using simple twisted pair cables (Category 5 or higher) with a compact AVU4001A-RX module at each remote end. Each remote module converts the long distance transmission signals back into high quality analog video signals for each display. All power for the remote modules is fed along the CATx cabling to allow quick and straightforward installation at each remote location.

### Cascading units to support more displays.

If you need to drive more than four video displays, you can connect up to three AVU4004A units in cascade. To do this, the local video out port of the first AVU4004A unit is fed to the video in port of the next one.

### Or, choose the ACU4001A kit.

The kit includes a compact, simple-to-install single-port transmitter and receiver. Save by using CATx cable already installed in your building—no expensive, hard-to-handle VGA cabling needed. The extender fully supports Display Data Channel (DDC) communications via standard stored settings or by emulation. A video adjustment on the remote unit controls image sharpness on the display.

## TECH SPECS

**Hardware Compatibility** — All computers with SVGA analog video interfaces

**Software Compatibility** — Operates with all known software and operating systems including Windows®, Linux®, Unix®, BSD, all Sun® OS, all Mac® OS, NetWare®

**Distance (Maximum)** — 500 ft. (150 m)

**Resolution (Maximum)** — HD: 1080p

**Connectors** — Local module (AVU4004A): Video: (2) DB15 female,

Links: (4) RJ-45,

Other: Power jack;

Local module (single-port transmitter): Video: (1) DB15 female, (1) RJ-45,

(1) USB Type A,

Other: Power jack;

Remote Module (AVU4001A-RX): Video: (1) DB15 female,

Link: (1) RJ-45

**Operating Temperature** — 32 to 104° F (0 to 40° C)

**Power** — DC jack (power adapter included);

Input: 100–240 VAC, 50/60 Hz;

Output: 5VDC, 12.5W



Local Module:  
AVU4004A



Remote Module:  
AVU4001A-RX



AVU4001A Kit

### What's included

Your package should contain the following items. If anything is missing or damaged, contact Black Box Technical Support at 724-746-5500 or info@blackbox.com.

#### AVU4004A:

- ◆ Wizard Multimedia Extender LP local module
- ◆ Power adapter and power cord
- ◆ (4) self-adhesive feet
- ◆ CD-ROM containing a user manual in PDF format
- ◆ Analog video link cable (6-ft. [1.8-m])

#### AVU4001A-RX:

- ◆ Wizard Multimedia Extender LP remote module

#### AVU4001A Kit:

- ◆ Wizard Multimedia Extender LP remote module
- ◆ Wizard Multimedia Extender LP local module (single-port model)
- ◆ CD-ROM containing a user manual in PDF format

*NOTE: The AVU4004A local module connects to up to four remote modules.*

#### Item

#### Code

Wizard Multimedia Extender LP Local Module, 4-Port Remote Module Kit (includes [1] single port transmitter and [1] receiver module)	<b>AVU4004A AVU4001A-RX AVU4001A</b>
---	--

#### You may also need...

Rackmount Fascia Plate 19" Rackmount Chassis	<b>AVU5002 AVU5000A</b>
---	-----------------------------

## Why Buy From Black Box? Exceptional Value. Exceptional Tech Support. Period.

Recognize any of these situations?

- You wait more than 30 minutes to get through to a vendor's tech support.
- The so-called "tech" can't help you or gives you the wrong answer.
- You don't have a purchase order number and the tech refuses to help you.
- It's 9 p.m. and you need help, but your vendor's tech support line is closed.

According to a survey by *Data Communications* magazine, 90% of network managers surveyed say that getting the technical support they need is extremely important when choosing a vendor. But even though network managers pay anywhere from 10 to 20% of their overall purchase price for a basic service and support contract, the technical support and service they receive falls far short of their expectations—and certainly isn't worth what they paid.

At Black Box, we guarantee the best value and the best support. You can even consult our Technical Support Experts before you buy if you need help selecting just the right component for your application. Don't waste time and money—call Black Box today.