

Owner's Manual

DVI over Cat5 Extenders and Extender/Splitters

Extender Kit Models:

B140-101, B140-1P1-WP-1, B140-101X, B140-1A1-WP

Local Unit Models: B140-002 and B140-004

**Remote Unit Models: B140-1P0, B140-1A0,
B140-1A0-WP-1 and B140-110**

Este manual esta disponible en español en la página de Tripp Lite:
www.tripplite.com/support

Ce manuel est disponible en français sur le site Web de Tripp Lite :
www.tripplite.com/support

Русскоязычная версия настоящего руководства
представлена на веб-сайте компании Tripp Lite по адресу:
www.tripplite.com/support

PROTECT YOUR INVESTMENT!

Register your product for quicker service and ultimate peace of mind.
You could also win an ISOBAR6ULTRA surge protector—a \$100 value!

www.tripplite.com/warranty



1111 W. 35th Street, Chicago, IL 60609 USA • www.tripplite.com/support

Copyright © 2017 Tripp Lite. All rights reserved.

Table of Contents

Package Contents	3
Product Features	3
Mounting (Optional)	8
Standard Extender Kit Installation.....	9
Extender Kit with Remote/Repeater Installation	11
(B140-101X and B140-1A1-WP extender kits only)	
Standard Extender/Splitter Installation.....	14
Extender/Splitter with Remote/Repeater Installation	17
(B140-1A0 and B140-1A0-WP-1 remote receiver units only)	
Extender/Splitter Daisy-Chain Installation.....	20
Extender/Splitter Daisy-Chain with Remote/Repeater Installation	22
(B140-004 extender/splitter, and B140-1A0 and B140-1A0-WP remote receivers only)	
Warranty and Product Registration.....	27

Package Contents

	B140-101	B140-1P1-WP-1	B140-101X	B140-1A1-WP	B140-002	B140-004	B140-1A0	B140-1A0-WP-1	B140-1P0	B140-110
Local Unit (L), Remote Unit (R), or Both (B)	B	B	B	B	L	L	R	R	R	R
External Power Supplies (0, 1, or 2)	0	0	1	2	1	1	1	1	0	1
Mounting Hardware			X		X	X	X			X
Wallplate Screws		X		X				X		
Screwdriver for Equalization Adjustment			X	X			X	X		X
DVI Daisy-chain Cable						X				

Product Features

All

- Support DVI-D Single-Link video resolutions up to 1920 x 1080 (60 Hz)
- Plug-and-play; no software or drivers required
- Compatible with all major operating systems
- HDCP compatible

B140-101

- DVI over Cat5 Passive Extender Kit (Box-style)
- Extend a 1024 x 768 (60 Hz) signal up to 100 ft. (30.5 m) from the source, or a 1920 x 1080 (60 Hz) signal up to 50 ft. (15 m) from the source
- No external power required

Product Features

B140-1P1-WP-1

- DVI over Cat5 Passive Extender Wallplate Kit
- Extend a 1024 x 768 (60 Hz) signal up to 75 ft. (23 m) from the source, or a 1920 x 1080 (60 Hz) signal up to 50 ft. (15 m) from the source
- RJ45-style wallplates allow for the use of standard Cat5e/6 patch cables; 110 punchdown connection not required
- No external power required

B140-101X

- DVI over Cat5 Active Extender Kit (Box-style)
- Extend a 1024 x 768 (60 Hz) signal up to 200 ft. (60 m) from the source, or a 1920 x 1080 (60 Hz) signal up to 150 ft. (45 m) from the source
- Remote receiver unit features a built-in Equalization control for video image adjustment
- Includes mounting hardware that allows remote unit to be wall-mounted, rack-mounted or pole-mounted

B140-1A1-WP

- DVI over Cat5 Active Extender Wallplate Kit
- Extend a 1024 x 768 (60 Hz) signal up to 200 ft. (60 m) from the source, or a 1920 x 1080 (60 Hz) signal up to 150 ft. (45 m) from the source
- Remote receiver unit features a built-in Equalization control for video image adjustment
- RJ45-style wallplates allow for the use of standard Cat5e/6 patch cables; 110 punchdown connection not required

Product Features

B140-002

- 2-Port DVI over Cat5 Extender/Splitter Local Transmitter Unit (Box-style)
- Splits a DVI-D single link signal into two separate signals
- Works with remote/repeater and receiver units to extend a DVI-D single link signal beyond the 16 ft. (5 m) distance limitation
- Includes mounting hardware that allows the unit to be wall-mounted, rack-mounted or pole-mounted

B140-004

- 4-Port DVI over Cat5 Extender/Splitter Local Transmitter Unit (Box-style)
- Splits a DVI-D single link signal into four
- Additional DVI port can be used to connect a local monitor or daisy-chain additional B140-004 units. Up to three B140-004 units can be daisy-chained to increase the number of connected monitors
- Works with remote/repeater and receiver units to extend a DVI-D single link signal beyond the 16 ft. (5 m) distance limitation
- Includes mounting hardware that allows the unit to be wall-mounted, rack-mounted or pole-mounted
- Up to three B126-004 units can be mounted in a B132-004-RB 1U rackmount bracket

Product Features

B140-1A0

- DVI over Cat5 Active Extender Remote Receiver Unit (Box-style)
- Works with B140-002 and B140-004 extender/splitters to extend a 1024 x 768 (60 Hz) signal up to 200 ft. (60 m) from the source, or a 1920 x 1080 (60 Hz) signal up to 150 ft. (45 m) from the source
- Built-in Equalization control for video image adjustment
- Includes mounting hardware that allows the unit to be wall-mounted, rack-mounted or pole-mounted

B140-1A0-WP-1

- DVI over Cat5 Active Extender Wallplate
- Works with B140-002 and B140-004 extender/splitters to extend a 1024 x 768 (60 Hz) signal up to 200 ft. (60 m) from the source, or a 1920 x 1080 (60 Hz) signal up to 150 ft. (45 m) from the source
- Built-in Equalization control for video image adjustment
- RJ45-style wallplate allows for the use of standard Cat5e/6 patch cables; 110 punchdown connection not required

B140-1P0

- DVI over Cat5 Passive Extender Remote Receiver Unit (Box-style)
- Works with B140-002 and B140-004 extender/splitters to extend a 1024 x 768 (60 Hz) signal up to 100 ft. (30.5 m) from the source, or a 1920 x 1080 (60 Hz) signal up to 50 ft. (15 m) from the source
- Built-in DVI cable; separate DVI cable not required
- No external power required

Product Features

B140-110

- DVI over Cat5 Extender Remote/Repeater Unit (Box-style)
- Extends and expands your Tripp Lite DVI over Cat5 installation, allowing you to locate multiple monitors at different points in a chain of up to 700 ft. (213 m)
- Extends a 1024 x 768 (60 Hz) signal up to 175 ft. (50 m), or a 1920 x 1080 (60 Hz) signal up to 125 ft. (38 m) from the local transmitter unit to the first remote/repeater unit in the installation
- Extends a 1024 x 768 (60 Hz) signal up to an additional 175 ft. (53 m), or a 1920 x 1080 (60 Hz) signal up to an additional 125 ft. (38 m) from each remote/repeater unit to the next unit in the chain. In a full four-level daisy-chain installation, a 1024 x 768 (60 Hz) signal can be extended up to 700 ft. (213 m), or a 1920 x 1080 (60 Hz) signal up to 500 ft. (152 m) from the source to the last remote unit in the chain.
- Connect up to four remote units (three remote/repeaters and one receiver), with a monitor located at each point in the chain
- Built-in Equalization control for video image adjustment
- Includes mounting hardware that allows the unit to be wall-mounted, rack-mounted or pole-mounted

Optional Accessories:

- B132-004-RB 1U Rack-mount Bracket
- N202-Series Cat6 24 AWG Solid Wire Patch Cables
- P561-Series DVI-D Single-Link Cables

Mounting (Optional)

The B140-101X, B140-002, B140-004, B140-1A0 and B140-110 come with mounting hardware that allows them to be mounted in a variety of ways. The following images show the different mounting methods.

Note: The B140-004 can also be mounted to a Tripp Lite B132-004-RB 1U Rackmount Bracket. Up to 3 B140-004 local units can be connected to a B132-004-RB.

Wall-Mount



19" Rack-Mount



Pole-Mount

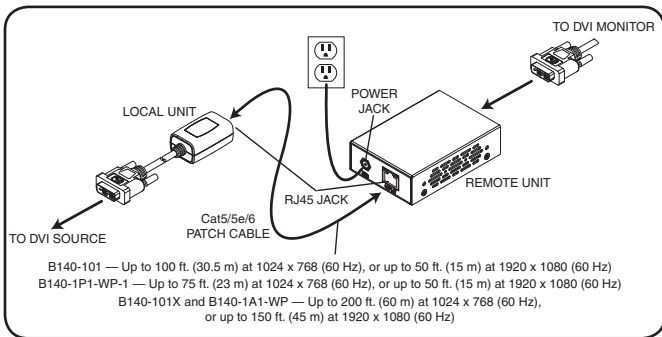


Standard Extender Kit Installation

(B140-101, B140-1P1-WP-1, B140-101X, B140-1A1-WP)

Notes:

1. The diagram below shows a B140-101X installation. Installation will be the same for the B140-1A1-WP. Installation will be similar for the B140-101 and B140-1P1-WP-1, except they will not require external power.
2. Test to make sure the entire installation works properly before pulling cables through ceilings/walls.
3. To achieve maximum distance and performance, use 24 AWG Solid Wire Cat5e/6 cable. Using stranded wire cable, or cable with a gauge (AWG) size higher than 24 AWG will result in lesser performance and shorter extension distance. Tripp Lite N202-Series (Cat6) patch cables are made with 24 AWG solid wire cabling.



- 1 Make sure power to the DVI source is turned off.
- 2 Connect the built-in DVI connector on the B140-101 or B140-101X local unit to the DVI source, or connect the B140-1A1-WP or B140-1P1-WP-1 local unit to the source using a Tripp Lite P561-Series DVI cable.

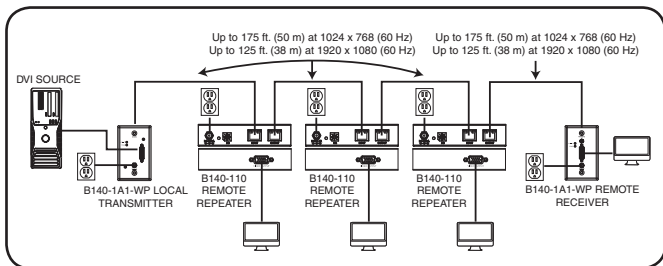
Standard Extender Kit Installation

- 3 B140-1A1-WP only:** Connect the external power supply to the local unit and plug it into a Trip Lite Surge Protector, Power Distribution Unit (PDU), or Uninterruptible Power Supply (UPS). The green Power LED will illuminate.
- 4** Connect the RJ45 ports on the local and remote units using Cat5e/6 cable.
- 5** Connect the built-in DVI connector on the B140-101 remote unit to the DVI monitor, or connect the B140-1A1-WP, B140-1P1-WP-1 or B140-101X remote unit to the monitor using a Tripp Lite P561-Series DVI cable.
- 6 B140-1A1-WP and B140-101X only:** Connect the external power supply to the remote unit and plug it into a Tripp Lite Surge Protector, Power Distribution Unit (PDU) or Uninterruptible Power Supply (UPS). The green RJ45 LED on the B140-101X remote unit will illuminate to indicate it is receiving power. The green Power LED will illuminate on the B140-1A1-WP remote unit.
- 7** Turn on the power to the DVI source. The green RJ45 LEDs will illuminate on the B140-101 and B140-101X units, and the Power LEDs will illuminate on the B140-1P1-WP-1 units to indicate that they are receiving power. The orange RJ45 LED will illuminate on the B140-101X remote unit to indicate it is receiving a signal from the source. The orange Activity LEDs will illuminate on the B140-1A1-WP units.
- 8 B140-1A1-WP and B140-101X only:** If necessary, adjust the Equalization control on the remote unit to improve the video image.
Note: *An improper Equalization setting can cause the monitor not to display a picture at all. Try each Equalization setting until an acceptable image is displayed.*

Extender Kit with Remote/Repeater Installation (B140-101X and B140-1A1-WP extender kits only)

Notes:

1. Test to make sure the entire installation works properly before pulling cables through ceilings/walls.
2. To achieve maximum distance and performance, use 24 AWG solid wire Cat5e/6 cable. Using stranded wire Cat5e/6 cable, or cable with a gauge (AWG) size higher than 24 AWG will result in shorter extension distance. All Tripp Lite N202-Series Cat6 cables are made with 24 AWG solid wire cabling.
3. The installation diagram shows a B140-1A1-WP. The B140-101X installation is the same, except its local unit does not require power.



- 1** Make sure the DVI source is powered OFF.
- 2** Connect the built-in DVI connector on the B140-101X local unit to the DVI source; or, connect the DVI source to the INPUT port on the B140-1A1-WP local unit using a Tripp Lite P561-Series DVI-D Single Link Cable.
- 3 B140-1A1-WP only:** Connect the external power supply to the local unit and plug it into a Tripp Lite Surge Protector, PDU or UPS. The green Power LED will illuminate.

Extender Kit with Remote/Repeater Installation (B140-101X and B140-1A1-WP extender kits only)

- 4** Using Cat5e/6 cable, connect the RJ45 port on the local unit to the RJ45 INPUT port on the B140-110 remote/repeater unit.
- 5** Connect a monitor to the DVI OUTPUT port on the remote/repeater unit using a Tripp Lite P561-Series DVI-D Single Link Cable.
- 6** Connect the external power supply to the remote/repeater unit and plug it into a Tripp Lite Surge Protector, PDU or UPS. The green Power LED and the green RJ45 LEDs illuminate to indicate the unit is receiving power.

Up to four units can be daisy chained (three remote/repeaters and one receiver). To connect additional remote/repeater units, proceed to step 7. To finish your installation with the B140-101X or B140-1A1-WP remote receiver unit, proceed to step 11.

- 7** Using Cat5e/6 cable, connect the RJ45 OUTPUT port on the first remote/repeater unit to the RJ45 INPUT port on a second remote/repeater unit.
- 8** Connect a monitor to the DVI OUTPUT port on the remote/repeater unit that you just added using a Tripp Lite P561-Series DVI-D Single Link Cable.
- 9** Connect the external power supply to the remote/repeater unit and plug it into a Tripp Lite Surge Protector, PDU or UPS. The green Power LED and the green RJ45 LEDs illuminate to indicate the unit is receiving power.
- 10** To add a third remote/repeater unit, repeat steps 7 through 9. To finish your installation with the B140-101X or B140-1A1-WP remote receiver unit, proceed to step 11.
- 11** Using Cat5e/6 cable, connect the RJ45 OUTPUT port on the last remote/repeater unit to the RJ45 INPUT port of the B140-101X or B140-1A1-WP remote receiver unit.

Extender Kit with Remote/Repeater Installation

(B140-101X and B140-1A1-WP extender kits only)

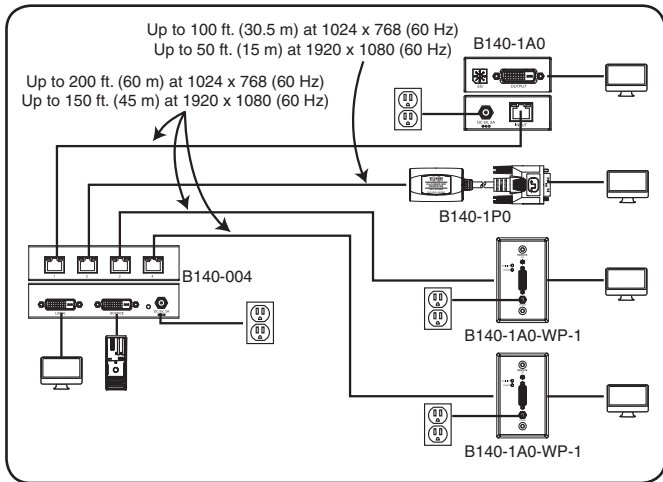
- 12** Connect a monitor to the DVI OUTPUT port on the remote receiver unit using a Tripp Lite P561-Series DVI-D Single Link Cable.
- 13** Connect the external power supply to the remote receiver unit and plug it into a Tripp Lite Surge Protector, PDU or UPS. The green RJ45 LED on the B140-101X remote receiver, or the green Power LED on the B140-1A1-WP remote wallplate, illuminates to indicate the unit is receiving power from the external power supply.
- 14** Turn on the power to the DVI source. The orange LEDs on the B140-1A1-WP units illuminate to indicate a signal is being received from the source. The orange RJ45 LEDs on the B140-101X and B140-110 units illuminate to indicate a signal is being received from the source.
- 15** If necessary, use the Equalization control on the remote/repeater unit(s) and remote receiver unit to adjust the video image.

Note: An improper Equalization setting can cause the monitor not to display a picture at all. Try each Equalization setting until an acceptable picture is displayed.

Standard Extender/Splitter Installation

Notes:

1. The diagram below shows a B140-004 installation. Installation will be the same when using a B140-002, except the B140-002 has fewer RJ45 ports and no local monitor port.
2. Test to make sure that the entire installation works properly before pulling cables through ceilings/walls.
3. To achieve maximum distance and performance, use 24 AWG solid wire Cat5e/6 cable. Using stranded wire cable, or cable with a gauge (AWG) size higher than 24 AWG will result in lesser performance and shorter extension distance. Tripp Lite N202-Series (Cat6) patch cables are made with 24 AWG solid wire cabling.



Standard Extender/Splitter Installation

- 1** Make sure the DVI source is powered OFF.
- 2** Connect the DVI source to the DVI port on the B140-002 or B140-004 labeled INPUT using a Tripp Lite P561-Series DVI-D Single-Link Cable.
- 3** **Optional for B140-004:** Connect a DVI monitor to the DVI port on the B140-004 marked LOCAL using a Tripp Lite P561-Series DVI-D Single-Link Cable.
- 4** Connect the external power supply to the B140-002 or B140-004 local unit and plug it into a Tripp Lite Surge Protector, PDU or UPS. The green RJ45 LEDs and red Power LED on the B140-004 will illuminate to indicate power is being received from the external power supply. The green RJ45 LEDs on the B140-002 will illuminate to indicate power is being received from the external power supply.
- 5** Using Cat5e/6 cable, connect one of the RJ45 output ports on the local unit to the RJ45 input port on the B140-1P0, B140-1A0 or B140-1A0-WP-1 remote unit.
- 6** Repeat step 5 for each additional remote unit you are connecting.
- 7** **B140-1A0 and B140-1A0-WP-1 only:** Connect the external power supply to the B140-1A0 or B140-1A0-WP-1 and plug it into a Tripp Lite Surge Protector, PDU or UPS. The green RJ45 LED on the B140-1A0 and the green LED on the B140-1A0-WP-1 will illuminate to indicate that the unit is receiving power.
- 8** Repeat step 7 for each additional B140-1A0 or B140-1A0-WP-1 in the installation.

Standard Extender/Splitter Installation

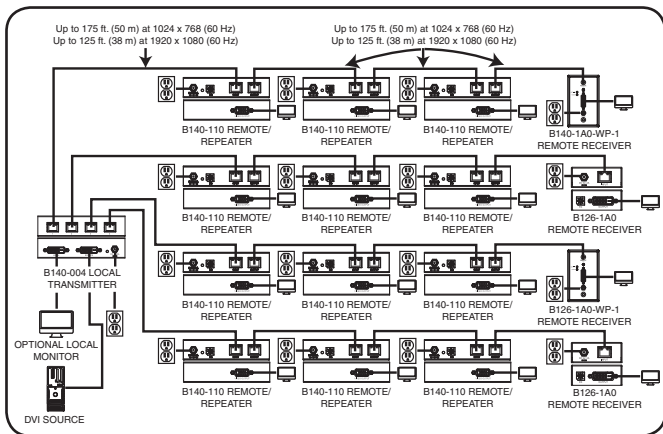
- 9** Connect the B140-1P0 DVI-D Single Link connector to the monitor or connect the B140-1A0 or B140-1A0-WP-1 to the monitor using a Tripp Lite P561-Series DVI-D Single Link Cable. The green RJ45 LED on the B140-1P0 will illuminate to indicate the unit is receiving power from the monitor.
- 10** Repeat step 9 for each additional monitor you are connecting.
- 11** Turn on the power to the DVI source. The orange RJ45 LEDs illuminate on the B140-002, B140-004 and B140-1A0, and the orange LED illuminates on the B140-1A0-WP-1 to indicate the unit is receiving a signal from the source. The image should now be displayed on the connected monitors.
- 12** If necessary, use the Equalization control on the B140-1A0 or B140-1A0-WP-1 to adjust the video image.

Note: *An improper Equalization setting can cause the monitor not to display a picture at all. Try each Equalization setting until an acceptable image is displayed.*

Extender/Splitter with Remote/Repeater Installation (B140-1A0 and B140-1A0-WP-1 remote receiver units only)

Notes:

1. Test to make sure the entire installation works properly before pulling cables through ceilings/walls.
2. To achieve maximum distance and performance, use 24 AWG solid wire Cat5e/6 cable. Using stranded wire Cat5e/6 cable, or cable with a gauge (AWG) size higher than 24 AWG will result in shorter extension distance. All Tripp Lite N202-Series Cat6 cables are made with 24 AWG solid wire cabling.
3. The installation diagram shows the B140-004. The B140-002 installation will be the same, except there are only 2 remote ports and there is no local monitor port.



- 1 Make sure the DVI source is powered OFF.
- 2 Connect the DVI source to the INPUT port on the B140-002 or B140-004 using a Tripp Lite P561-Series DVI-D Single Link Cable.

Extender/Splitter with Remote/Repeater Installation (B140-1A0 and B140-1A0-WP-1 remote receiver units only)

- 3** **Optional for B140-004:** Connect a local monitor to the DVI OUTPUT port using a Tripp Lite P561-Series DVI-D Single Link Cable.
- 4** Connect the external power supply to the local unit and plug it into a Tripp Lite Surge Protector, PDU or UPS. The green RJ45 LEDs illuminate to indicate power is being received from the external power supply. An additional red LED on the B140-004 also illuminates to indicate that power is being received.
- 5** Using Cat5e/6 cable, connect one of the RJ45 output ports on the local unit to the RJ45 input port on the B140-110 remote/repeater unit.
- 6** Connect a monitor to the DVI OUTPUT port on the remote/repeater unit using a Tripp Lite P561-Series DVI-D Single Link Cable.
- 7** Connect the external power supply to the remote/repeater unit and plug it into a Tripp Lite Surge Protector, PDU or UPS. The green Power LED and the green RJ45 LEDs illuminate to indicate the unit is receiving power.

Up to four units can be daisy chained (three remote/repeaters and one receiver) To connect additional remote/repeater units, proceed to step 8. To finish your installation with a B140-1A0 or B140-1A0-WP-1 remote receiver unit, proceed to step 12.

- 8** Using Cat5e/6 cable, connect the RJ45 OUTPUT port on the first remote/repeater unit to the RJ45 INPUT port on a second remote/repeater unit.
- 9** Connect a monitor to the DVI OUTPUT port on the remote/repeater unit that you just added using a Tripp Lite P561-Series DVI-D Single Link Cable.
- 10** Connect the external power supply to the remote/repeater unit and plug it into a Tripp Lite Surge Protector, PDU or UPS. The green Power LED and the green RJ45 LEDs illuminate to indicate the unit is receiving power.

Extender/Splitter with Remote/Repeater Installation (B140-1A0 and B140-1A0-WP-1 remote receiver units only)

- 11** To add a third remote/repeater unit, repeat steps 8 through 10. To finish your installation with a B140-1A0 or B140-1A0-WP-1 remote receiver unit, proceed to step 12.
- 12** Using Cat5e/6 cable, connect the RJ45 OUTPUT port on the last remote/repeater unit to the RJ45 INPUT port on a B140-1A0 or B140-1A0-WP-1 remote receiver unit.
- 13** Connect a monitor to the DVI OUTPUT port on the remote receiver unit using a Tripp Lite P561-Series DVI-D Single Link Cable.
- 14** Connect the external power supply to the remote receiver unit and plug it into a Tripp Lite Surge Protector, PDU or UPS. The green RJ45 LEDs on the B140-1A0 and the green LED on the B140-1A0-WP-1 illuminate to indicate that the unit is receiving power.
- 15** Repeat steps 5 through 14 for each additional RJ45 output port on the local transmitter unit.
- 16** Turn on the power to the DVI source. The orange RJ45 LEDs on the local transmitter, remote/repeater and B140-1A0 illuminate to indicate a signal is being received from the source. The orange LED on the B140-1A0-WP-1 illuminates to indicate a signal is being received from the source.
- 17** If necessary, use the Equalization control on the remote/repeater unit(s) and remote receiver unit to adjust the video image.

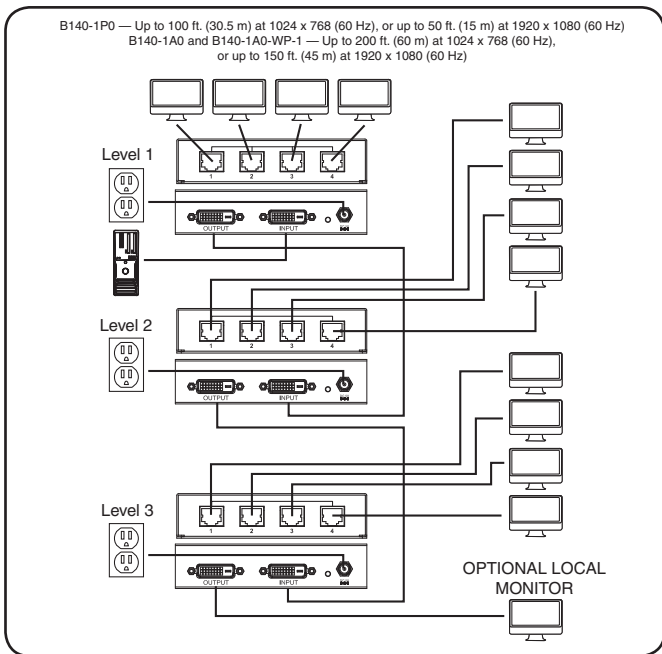
Note: An improper Equalization setting can cause the monitor not to display a picture at all. Try each Equalization setting until an acceptable picture is displayed.

Extender/Splitter Daisy-Chain Installation

(B140-004 only)

Notes:

1. Test to make sure that the entire installation works properly before pulling cables through ceilings/walls.
2. To achieve maximum distance and performance, use 24 AWG solid wire Cat5e/6 cable. Using stranded wire cable, or cable with a gauge (AWG) size higher than 24 AWG will result in lesser performance and shorter extension distance. Tripp Lite N202-Series (Cat6) patch cables are made with 24 AWG solid wire cabling.



Extender/Splitter Daisy-Chain Installation

- 1** Make sure the DVI source is powered OFF.
- 2** Connect the DVI source to the DVI port on the B140-004 labeled INPUT using a Tripp Lite P561-Series DVI-D Single Link Cable.
- 3** Connect the external power supply to the B140-004 local unit and plug it into a Tripp Lite Surge Protector, PDU or UPS. The green RJ45 LEDs and red Power LED will illuminate to indicate power is being received from the external power supply.
- 4** Using the included DVI daisy-chain cable, connect the OUTPUT DVI port on the first B140-004 to the INPUT DVI port on a second B140-004.
- 5** Connect the external power supply to the B140-004 local unit and plug it into a Tripp Lite Surge Protector, PDU or UPS. The green RJ45 LEDs and red Power LED will illuminate to indicate power is being received from the external power supply.
- 6** Repeat steps 4 and 5 if you are connecting a third B140-004.
- 7 Optional:** Connect a DVI monitor to the OUTPUT DVI port on the last B140-004 using a Tripp Lite P561-Series DVI-D Single Link Cable.
- 8** Using Cat5e/6 cable, connect one of the RJ45 output ports on a local unit to the RJ45 input port on a B140-1PO, B140-1AO or B140-1AO-WP-1 remote unit.
- 9** Repeat step 8 for each additional remote unit you are connecting.
- 10 B140-1AO and B140-1AO-WP-1 only:** Connect the external power supply to the B140-1AO or B140-1AO-WP-1, and plug it into a Tripp Lite Surge Protector, PDU or UPS. The green RJ45 LEDs on the B140-1AO and the green LED on the B140-1AO-WP-1 illuminate to indicate the unit is receiving power.
- 11** Repeat step 10 for each additional B140-1AO or B140-1AO-WP-1 in the installation.

Extender/Splitter Daisy-Chain Installation

- 12 Connect the B140-1P0 DVI-D Single Link Connector to the monitor or connect the B140-1A0 or B140-1A0-WP-1 to the monitor using a Tripp Lite P561-Series DVI-D Single Link Cable. The green RJ45 LED on the B140-1P0 illuminates to indicate the unit is receiving power from the monitor.
- 13 Repeat step 12 for each additional monitor you are connecting.
- 14 Turn on the power to the DVI source. The orange RJ45 LEDs illuminate on the B140-004 and B140-1A0 and the orange LED illuminates on the B140-1A0-WP-1 to indicate the unit is receiving a signal from the source. The screen should now be displayed on the connected monitors.
- 15 If necessary, use the Equalization control on the B140-1A0 or B140-1A0-WP-1 to adjust the video image.

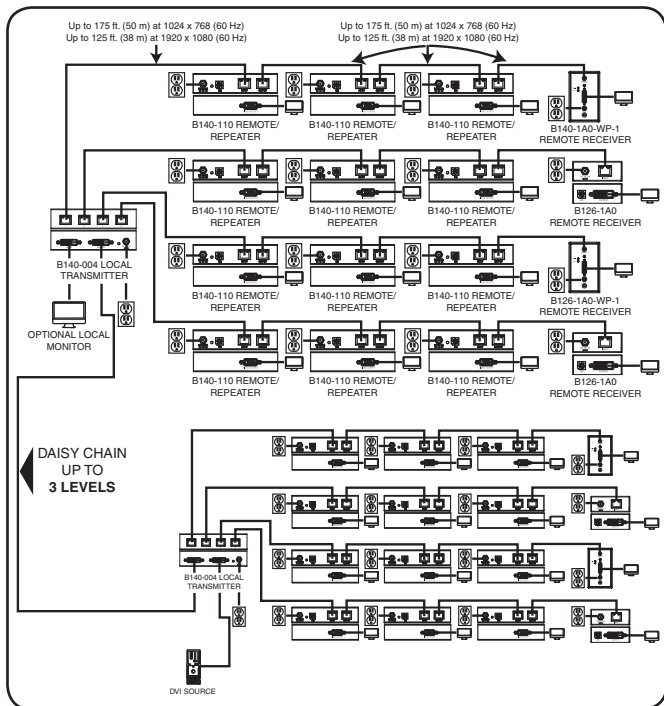
Note: An improper Equalization setting can cause the monitor not to display a picture at all. Try each Equalization setting until an acceptable image is displayed.

Extender/Splitter Daisy-Chain with Remote/ Repeater Installation (B140-004 extender/splitter, and B140-1A0 and B140-1A0-WP remote receivers only)

Notes:

1. Test to make sure the entire installation works properly before pulling cables through ceilings/walls.
2. To achieve maximum distance and performance, use 24 AWG solid wire Cat5e/6 cable. Using stranded wire Cat5e/6 cable, or cable with a gauge (AWG) size higher than 24 AWG will result in shorter extension distance. All Tripp Lite N202-Series Cat6 cables are made with 24 AWG solid wire cabling.

Extender/Splitter Daisy-Chain with Remote/ Repeater Installation (B140-004 extender/splitter, and B140-1A0 and B140-1A0-WP remote receivers only)



Extender/Splitter Daisy-Chain with Remote/ Repeater Installation (B140-004 extender/splitter, and B140-1A0 and B140-1A0-WP remote receivers only)

- 1** Make sure the DVI source is powered OFF.
- 2** Connect the DVI source to the INPUT port on the B140-004 using a Tripp Lite P561-Series DVI-D Single Link Cable.
- 3** Connect the LOCAL port on the B140-004 to the INPUT port on a second B140-004 using the included 1 ft. DVI daisy-chain cable.
- 4** Repeat step 3 if you want to connect a third B140-004.
- 5** Connect the external power supply to the first B140-004 in the daisy chain and plug it into a Tripp Lite Surge Protector, PDU or UPS. The green RJ45 LEDs and the red Power LED on the B140-004 will illuminate to indicate power is being received from the external power supply.
- 6** Repeat step 5 for each additional B140-004 in the daisy chain.
- 7 Optional:** Connect a DVI monitor to the OUTPUT DVI port on the last B140-004 using a Tripp Lite P561-Series DVI-D Single Link cable.
- 8** Using Cat5e/6 cable, connect one of the RJ45 output ports on the local unit to the RJ45 input port on the B140-110 remote/repeater unit.
- 9** Connect a monitor to the DVI OUTPUT port on the remote/repeater unit using a Tripp Lite P561-Series DVI-D Single Link Cable.
- 10** Connect the external power supply to the remote/repeater unit and plug it into a Tripp Lite Surge Protector, PDU or UPS. The green Power LED and the green RJ45 LEDs illuminate to indicate the unit is receiving power.

Extender/Splitter Daisy-Chain with Remote/ Repeater Installation (B140-004 extender/splitter, and B140-1A0 and B140-1A0-WP remote receivers only)

Up to four units can be daisy chained (three remote/repeaters and one receiver). To connect additional remote/repeater units, proceed to step 11. To finish your installation with a B140-1A0 or B140-1A0-WP-1 remote receiver unit, proceed to step 15.

- 11** Using Cat5e/6 cable, connect the RJ45 OUTPUT port on the first remote/repeater unit to the RJ45 INPUT port on a second remote/repeater unit.
- 12** Connect a monitor to the DVI OUTPUT port on the remote/repeater unit that you just added using a Tripp Lite P561-Series DVI-D Single Link Cable.
- 13** Connect the external power supply to the remote/repeater unit and plug it into a Tripp Lite Surge Protector, PDU or UPS. The green Power LED and the green RJ45 LEDs illuminate to indicate the unit is receiving power.
- 14** To add a third remote/repeater unit, repeat steps 11 through 13. To finish your installation with a B140-1A0 or B140-1A0-WP-1 remote receiver unit, proceed to step 15.
- 15** Using Cat5e/6 cable, connect the RJ45 OUTPUT port on the last remote/repeater unit to the RJ45 INPUT port on a B140-1A0 or B140-1A0-WP-1 remote receiver unit.
- 16** Connect a monitor to the DVI OUTPUT port on the remote receiver unit using a Tripp Lite P561-Series DVI-D Single Link Cable.
- 17** Connect the external power supply to the remote receiver unit and plug it into a Tripp Lite Surge Protector, PDU or UPS. The green RJ45 LEDs on the B140-1A0 and the green LED on the B140-1A0-WP-1 illuminate to indicate that the unit is receiving power.

Extender/Splitter Daisy-Chain with Remote/ Repeater Installation (B140-004 extender/splitter, and B140-1A0 and B140-1A0-WP remote receivers only)

- 18 Repeat steps 8 through 17 for each additional RJ45 output port on the local transmitter units.
- 19 Turn on the power to the DVI source. The orange RJ45 LEDs on the local transmitter, remote/repeater and B140-1A0 illuminate to indicate a signal is being received from the source. The orange LED on the B140-1A0-WP-1 illuminates to indicate a signal is being received from the source.
- 20 If necessary, use the Equalization control on the remote/repeater unit(s) and remote receiver unit to adjust the video image.

Note: An improper Equalization setting can cause the monitor not to display a picture at all. Try each Equalization setting until an acceptable picture is displayed.

Warranty and Product Registration

1-Year Limited Warranty

TRIPP LITE warrants its products to be free from defects in materials and workmanship for a period of one (1) year from the date of initial purchase. TRIPP LITE's obligation under this warranty is limited to repairing or replacing (at its sole option) any such defective products. To obtain service under this warranty, you must obtain a Returned Material Authorization (RMA) number from TRIPP LITE or an authorized TRIPP LITE service center. Products must be returned to TRIPP LITE or an authorized TRIPP LITE service center with transportation charges prepaid and must be accompanied by a brief description of the problem encountered and proof of date and place of purchase. This warranty does not apply to equipment which has been damaged by accident, negligence or misapplication or has been altered or modified in any way.

EXCEPT AS PROVIDED HEREIN, TRIPP LITE MAKES NO WARRANTIES, EXPRESS OR IMPLIED, INCLUDING WARRANTIES OF MERCHANTABILITY AND FITNESS FOR A PARTICULAR PURPOSE. Some states do not permit limitation or exclusion of implied warranties; therefore, the aforesaid limitation(s) or exclusion(s) may not apply to the purchaser.

EXCEPT AS PROVIDED ABOVE, IN NO EVENT WILL TRIPP LITE BE LIABLE FOR DIRECT, INDIRECT, SPECIAL, INCIDENTAL OR CONSEQUENTIAL DAMAGES ARISING OUT OF THE USE OF THIS PRODUCT, EVEN IF ADVISED OF THE POSSIBILITY OF SUCH DAMAGE. Specifically, TRIPP LITE is not liable for any costs, such as lost profits or revenue, loss of equipment, loss of use of equipment, loss of software, loss of data, costs of substitutes, claims by third parties, or otherwise.

PRODUCT REGISTRATION

Visit www.triplite.com/warranty today to register your new Tripp Lite product. You'll be automatically entered into a drawing for a chance to win a FREE Tripp Lite product!*

* No purchase necessary. Void where prohibited. Some restrictions apply. See website for details.

WEEE Compliance Information for Tripp Lite Customers and Recyclers (European Union)

Under the Waste Electrical and Electronic Equipment (WEEE) Directive and implementing regulations, when customers buy new electrical and electronic equipment from Tripp Lite they are entitled to:

- Send old equipment for recycling on a one-for-one, like-for-like basis (this varies depending on the country)
- Send the new equipment back for recycling when this ultimately becomes waste

WARNING

Use of this equipment in life support applications where failure of this equipment can reasonably be expected to cause the failure of the life support equipment or to significantly affect its safety or effectiveness is not recommended.

Tripp Lite has a policy of continuous improvement. Product specifications are subject to change without notice.



1111 W. 35th Street, Chicago, IL 60609 USA • www.tripplite.com/support