



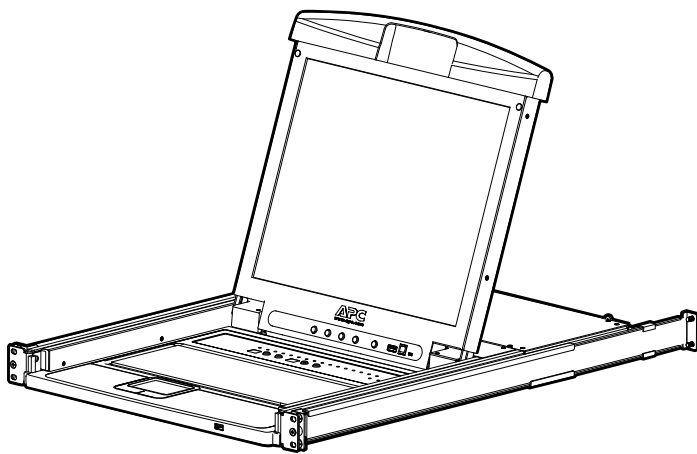
# User Manual

## Rack LCD Console

AP5717, AP5717CH, AP5717F, AP5717G,  
AP5717J, AP5717R, AP5717UK, AP5719

990-3863G-001

Publication Date: 10/2023



## Schneider Electric Legal Disclaimer

The information presented in this manual is not warranted by the Schneider Electric to be authoritative, error free, or complete. This publication is not meant to be a substitute for a detailed operational and site specific development plan. Therefore, Schneider Electric assumes no liability for damages, violations of codes, improper installation, system failures, or any other problems that could arise based on the use of this Publication.

The information contained in this Publication is provided as is and has been prepared solely for the purpose of evaluating data center design and construction. This Publication has been compiled in good faith by Schneider Electric. However, no representation is made or warranty given, either express or implied, as to the completeness or accuracy of the information this Publication contains.

**IN NO EVENT SHALL SCHNEIDER ELECTRIC IT CORPORATION, OR ANY PARENT, AFFILIATE OR SUBSIDIARY COMPANY OF SCHNEIDER ELECTRIC OR THEIR RESPECTIVE OFFICERS, DIRECTORS, OR EMPLOYEES BE LIABLE FOR ANY DIRECT, INDIRECT, CONSEQUENTIAL, PUNITIVE, SPECIAL, OR INCIDENTAL DAMAGES (INCLUDING, WITHOUT LIMITATION, DAMAGES FOR LOSS OF BUSINESS, CONTRACT, REVENUE, DATA, INFORMATION, OR BUSINESS INTERRUPTION) RESULTING FROM, ARISING OUT, OR IN CONNECTION WITH THE USE OF, OR INABILITY TO USE THIS PUBLICATION OR THE CONTENT, EVEN IF SCHNEIDER ELECTRIC HAS BEEN EXPRESSLY ADVISED OF THE POSSIBILITY OF SUCH DAMAGES. SCHNEIDER ELECTRIC RESERVES THE RIGHT TO MAKE CHANGES OR UPDATES WITH RESPECT TO OR IN THE CONTENT OF THE PUBLICATION OR THE FORMAT THEREOF AT ANY TIME WITHOUT NOTICE.**

Copyright, intellectual, and all other proprietary rights in the content (including but not limited to software, audio, video, text, and photographs) rests with Schneider Electric or its licensors. All rights in the content not expressly granted herein are reserved. No rights of any kind are licensed or assigned or shall otherwise pass to persons accessing this information.

This Publication shall not be for resale in whole or in part.

# Contents

<b>General Information</b> .....	<b>1</b>
Overview . . . . .	1
Related Documents . . . . .	1
User Comments . . . . .	1
Important Safety Information. . . . .	1
Safety Information for the Rack LCD Console . . . . .	2
Additional safety information . . . . .	3
Taking Delivery . . . . .	4
Inventory . . . . .	4
Components . . . . .	5
Front view . . . . .	5
Rear view . . . . .	6
<b>Installation</b> .....	<b>7</b>
Brackets . . . . .	7
Rack LCD Console Installation . . . . .	8
Cable installation . . . . .	8
Power on the Rack LCD Console . . . . .	8
<b>Operation</b> .....	<b>9</b>
Basic Functions. . . . .	9
Open the Rack LCD Console . . . . .	9
Close the Rack LCD Console . . . . .	9
Power off and restart . . . . .	9
Standby mode . . . . .	9
Hot plugging . . . . .	9
LCD OSD (On Screen Display) configuration . . . . .	9
Monitor settings . . . . .	10
USB Peripheral Devices . . . . .	10
Firmware Upgrade Mode . . . . .	11
Start the upgrade . . . . .	11
Upgrade succeeded . . . . .	11
Upgrade failed . . . . .	11
Exit firmware upgrade mode . . . . .	11
Firmware upgrade recovery . . . . .	12
<b>Radio Frequency Interference</b> .....	<b>13</b>
USA — FCC . . . . .	13
Canada — ICES . . . . .	13
Japan — VCCI . . . . .	13
Taiwan—BSMI . . . . .	13
Australia and New Zealand . . . . .	13
European Union . . . . .	13
United Kingdom . . . . .	13
Korean 한국 . . . . .	13
<b>Troubleshooting</b> .....	<b>14</b>
<b>Specifications</b> .....	<b>15</b>
<b>Warranty</b> .....	<b>17</b>
Two-Year Factory Warranty . . . . .	17
Terms of warranty . . . . .	17
Non-transferable warranty . . . . .	17

Exclusions .....	17
Warranty claims .....	18
<b>Worldwide Customer Support.....</b>	<b>19</b>

# General Information

## Overview

The Rack LCD Console features a 17" or a 19" LCD panel, a full keyboard, and a touch pad in a rack-mountable sliding housing. The Rack LCD Console is intended for use with compatible target devices (a KVM switch or server).

## Related Documents

Download technical publications or look for updates to your manual at [www.apc.com](http://www.apc.com).

## User Comments

Contact [www.apc.com/support](http://www.apc.com/support). We welcome your comments about this document.

## Important Safety Information

Read the instructions carefully to become familiar with the device before trying to install, operate, service or maintain it. The following messages may appear throughout this manual or on the equipment to warn of potential hazards or to call attention to information that clarifies or simplifies a procedure.



The addition of this symbol to a Danger or Warning safety label indicates that an electrical hazard exists which will result in personal injury if the instructions are not followed.



This is the safety alert symbol. It is used to alert you to potential personal injury hazards. Obey all safety messages that follow this symbol to avoid possible injury or death.

### **⚠ DANGER**

**DANGER** indicates an imminently hazardous situation which, if not avoided, **will result in** death or serious injury.

### **⚠ WARNING**

**WARNING** indicates a potentially hazardous situation which, if not avoided, **can result in** death or serious injury.

### **⚠ CAUTION**

**CAUTION** indicates a potentially hazardous situation which, if not avoided, **can result in** minor or moderate injury.

### **NOTICE**

**NOTICE** addresses practices not related to physical injury including certain environmental hazards, potential damage or loss of data.

## Safety Information for the Rack LCD Console

Read and adhere to the following important safety considerations when working with the **Integrated Analog KVM** (Keyboard, Video, Monitor Switch) **Rack LCD** (Liquid Crystal Diode Monitor). Read all of the instructions. Follow all warnings and instructions. All work must be performed by APC authorized personnel only.

### **DANGER**

#### **HAZARD OF ELECTRIC SHOCK, EXPLOSION, OR ARC FLASH**

- Avoid circuit overload. Before energizing, review the electrical specifications in the product documentation.
- Use only the supplied power cord or a power cord approved for use in your region.
- The cord must have voltage and current ratings equal to or greater than those of the product rating label requirements.
- Plug the power cord into a grounded (earthed) outlet that is easily accessible. Do not disable the grounding pin.
- Class I equipment. This equipment must be earthed. The power plug must be connected to a properly wired earth ground socket outlet. An improperly wired socket outlet could place hazardous voltages on accessible metal parts.
- Make sure that all equipment, including power strips, is properly grounded.
- The AC inlet is the main disconnect device for the product.
- This product has no user-serviceable parts inside. Do not remove product cover. All repairs should be performed by authorized personnel only.

**Failure to follow these instructions will result in death or serious injury.**

### **CAUTION**

#### **HAZARD OF EQUIPMENT DAMAGE**

- Do not connect the RJ-11 connector marked "UPGRADE" to any telecommunication network.
- Plugging in devices other than those specified in the product documentation may result in equipment damage
- Allow sufficient airflow for safe operation. To avoid overheating, make sure the product enclosure openings are never blocked or covered. Rack temperature must be less than 40°C.
- Uneven mechanical loading can create a hazardous condition.
- Do not use the product as a shelf.
- Use only the installation mounting hardware provided to avoid damage.

**Failure to follow these instructions can result in injury or equipment damage.**

## **NOTICE**

- Do not use the device near water, Never spill liquid of any kind on the device.
- Unplug the device from the wall outlet before cleaning. Do not use liquid or aerosol cleaners. Use a damp cloth for cleaning.
- To help protect your system from sudden, transient increases and decreases in electrical power, use a surge suppressor, line conditioner, or uninterruptible power supply (UPS).
- Before working on the rack, make sure that the stabilizers are secured to the rack, extended to the floor, and that the full weight of the rack rests on the floor. Install front and side stabilizers on a single rack or front stabilizers for joined multiple racks before working on the rack.
- Position system cables and power cables carefully; Be sure that nothing rests on any cables.
- Never push objects of any kind into or through cabinet slots. They may touch dangerous voltage points or short out parts resulting in a risk of fire or electrical shock.
- Always load the rack from the bottom up, and load the heaviest item in the rack first.
- Make sure that the rack is level and stable before extending a device from the rack.
- Use caution when pressing the device rail release latches and sliding a device into or out of a rack; the slide rails can pinch your fingers.
- After a device is inserted into the rack, carefully extend the rail into a locking position, and then slide the device into the rack.
- Do not overload the AC supply branch circuit that provides power to the rack. The total rack load should not exceed 80 percent of the branch circuit rating.
- Make sure that all equipment used on the rack, including power strips and other electrical connectors, is properly grounded.
- Ensure that proper airflow is provided to devices in the rack.
- Ensure that the operating ambient temperature of the rack environment does not exceed the maximum ambient temperature specified for the equipment by the manufacturer
- Do not step on or stand on any device when servicing other devices in a rack.
- Equipment mounted on rails should not act as shelf or work surface.
- Route the power cord and cables so that they cannot be stepped on or tripped over.

This equipment is suitable for installation in Information Technology rooms in accordance with Article 645 of the National Electric Code and NFPA 75.

### **Additional safety information**

**Before you begin:** Verify that the system is free from all short circuits and grounds, except those grounds installed according to local regulations (according to the National Electrical Code in the U.S.A., for instance). If high-potential voltage testing is necessary, follow recommendations in equipment documentation to prevent accidental equipment damage.

Before energizing equipment:

- Remove tools, meters, and debris from equipment.
- Close the equipment enclosure door.
- Perform all start-up tests recommended by the manufacturer.

**Operation and adjustments:** The following precautions are from the NEMA Standards Publication ICS 7.1-195 (English version prevails):

- Regardless of the care exercised in the design and manufacture of equipment or in the selection and ratings of components, there are hazards that can be encountered if such equipment is improperly operated.
- It is sometimes possible to misadjust the equipment and thus produce unsatisfactory or unsafe operation. Always use the manufacturer's instructions as a guide for functional adjustments. Personnel who have access to these adjustments should be familiar with the equipment manufacturer's instructions and the machinery used with the electrical equipment.
- Only those operational adjustments actually required by the operator should be accessible to the operator. Access to other controls should be restricted to prevent unauthorized changes in operating characteristics.

# Taking Delivery

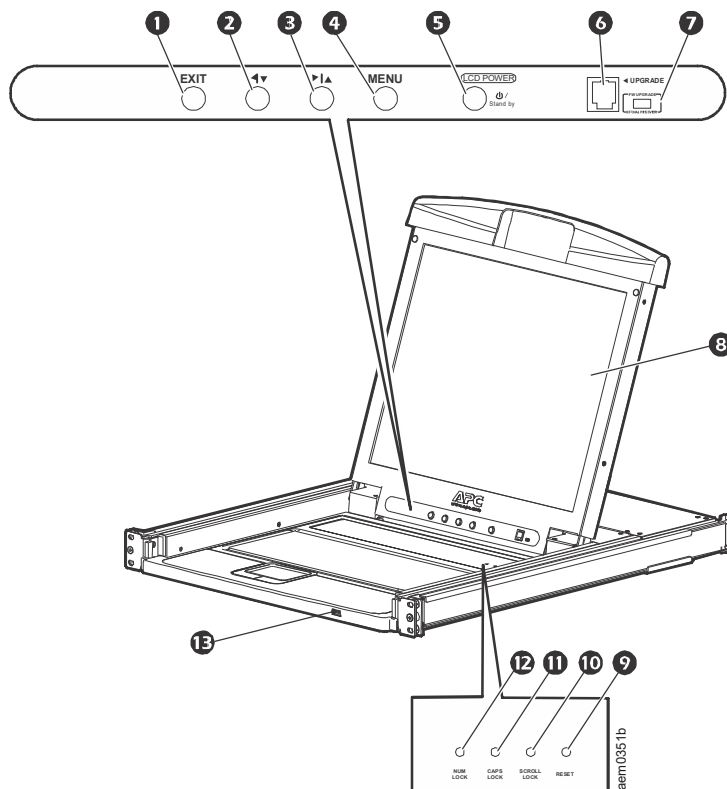
Examine the components at the time of delivery to be sure all parts are present and in good working order. Anything missing or damaged must be reported immediately to the shipping firm and to APC.

## Inventory

Description	Quantity
Easy installation rack mounting installation kit	1
Mounting screws	4
Custom communication cable sets - USB cable, length 6 ft. (1) - PS2 cable, length 6 ft. (1)	2
C13 - C14 power cord	1
NEMA 5 - 15 power cord	1
Firmware upgrade cable	1
USB cable	1
Rack LCD Console	1
Literature Kit Includes: - Quick Start Guide - China ROHS	1

# Components

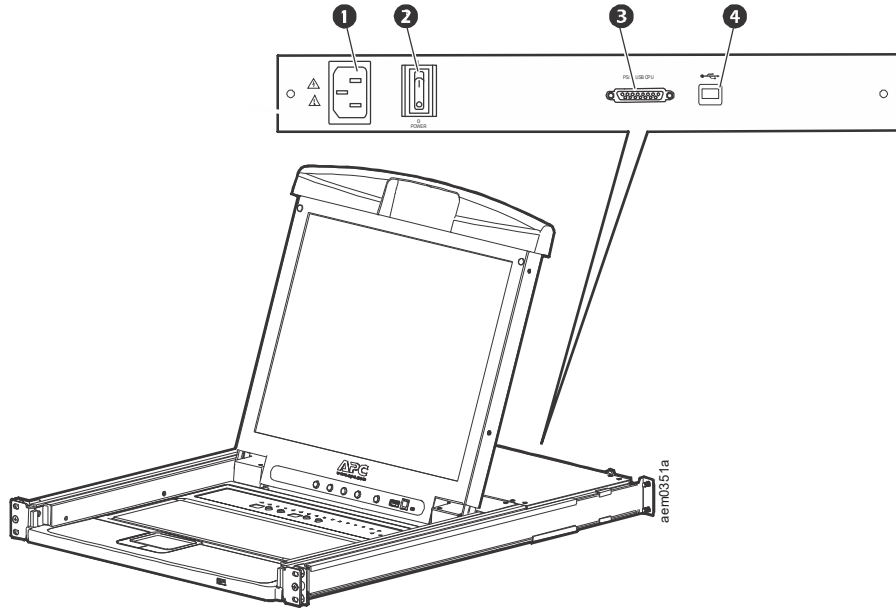
## Front view





Item Number	Component	Description
①	<b>EXIT</b> button	<p>1. Pressing the <b>EXIT</b> button without opening the On Screen Display (OSD) initiates an auto adjustment which reconfigures all settings for the monitor to the optimum display values of the OSD.</p> <p>2. While the OSD user interface is in use, press the <b>EXIT</b> button to exit the current menu and return to the previous menu or, press the <b>EXIT</b> button to leave an adjustment menu when the adjustment is complete.</p> <p>3. From the <b>Main Menu</b> screen, pressing the <b>EXIT</b> button will exit the OSD.</p>
②	Left/Down Arrows button	Pressing this button moves left or down through the menu and decreases the value when making an adjustment.
③	Right/Up Arrows button	Pressing this button moves right or up through the menu and increases the value when making an adjustment.
④	<b>MENU</b> button	<p>1. If the OSD user interface has not been opened, pressing the <b>MENU</b> button initiates it and brings up the Main menu.</p> <p>2. While the OSD user interface is in use, when a setting choice is reached, pressing the <b>MENU</b> button brings up the setting's adjustment screen.</p>
⑤	<b>LCD POWER</b> button	Turns on power to the LCD monitor. An LED light next to the switch will illuminate when the monitor is in stand-by (power-saver) mode.
⑥	<b>UPGRADE</b> port	An RJ-11 port to be used to transfer firmware upgrades from the administrator's server to the Rack LCD Console.
⑦	<b>FW UPGRADE NORMAL / RECOVERY</b>	The <b>Firmware Upgrade</b> switch should be in the <b>NORMAL</b> position during normal operation of the Rack LCD Console. The switch is set to <b>RECOVERY</b> only when a Firmware Upgrade Recovery is performed. (See "Firmware upgrade recovery" on page 12 for more information.)
⑧	LCD monitor	The LCD display monitor of the Rack LCD Console.
⑨	<b>RESET</b> switch	Press this recessed switch in with a small object (a pen point) to perform a system reset.
⑩	<b>SCROLL LOCK</b> LED	When illuminated, the <b>SCROLL LOCK</b> LED indicates the scroll lock function on the keyboard is enabled.
⑪	<b>CAPS LOCK</b> LED	When illuminated, the <b>CAPS LOCK</b> LED indicates the capitals lock function on the keyboard is enabled.
⑫	<b>NUM LOCK</b> LED	When illuminated, the <b>NUM LOCK</b> LED indicates the number lock function on the keyboard is enabled.
⑬	USB port	Located on the front of the Rack LCD Console, the USB port is used to connect a peripheral device (flash drive, CD-ROM drive, or mouse) and pass through the Rack LCD Console to the connected target device (a KVM switch or server).

Rear view



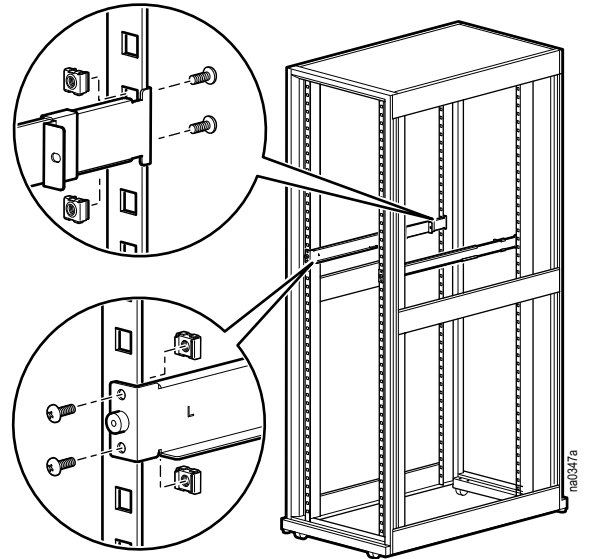
Item Number	Component	Description
1	Power Socket	Standard 3-prong AC power socket.
2	<b>Power</b> Switch	Standard ON/OFF rocker switch
3	Custom Communication Port	Port for connecting the Rack LCD Console to the target device (KVM switch or server) using one of the included custom communication cables (PS2 or USB).
4	USB Port	USB pass-through from the USB Port on the front of the Rack LCD Console.

# Installation

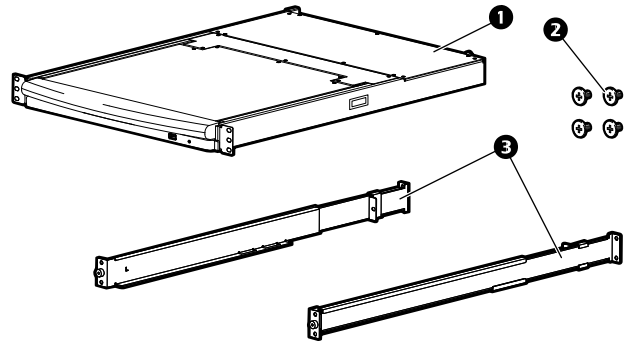
## Brackets

Use only the hardware provided to install the Rack LCD Console in the rack.

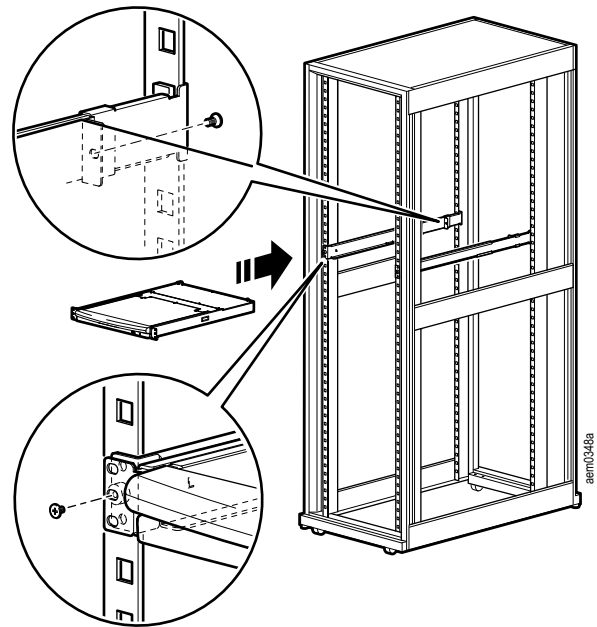
1. Attach the left and right mounting rails to the inside of the rack. The flange that supports the Rack LCD Console station will be to the inside.
  - Screw the front flanges to the rack first.
2. Slide the bars with the rear flanges toward the rack until the flanges make contact with the rack, then screw the rear flanges to the rack.



3. Slide the Rack LCD Console (1) onto the support flanges (3). Use the M4 x 6 screws (2) supplied to loosely attach the front of the Rack LCD Console to the front of the rack.
  - Do not fully tighten the screws at this time.



4. Slide the rear attachment sliding brackets along the slide bars until they contact the rear of the Rack LCD Console. Use the supplied M4 x 6 screws to attach the bars to the rear of the Rack LCD Console switch. Fully tighten these screws.
5. Slide the Rack LCD Console open and closed two or three times to be sure it is operating smoothly.
6. If the Rack LCD Console is moving properly in the brackets, fully tighten the screws inserted in step 3.



## Rack LCD Console Installation

### **⚠ ⚠ DANGER**

#### **HAZARD OF ELECTRIC SHOCK, EXPLOSION, OR ARC FLASH**

- Avoid circuit overload. Before energizing, review the electrical specifications in the product documentation.
- Use only the supplied power cord or a power cord approved for use in your region.
- The cord must have voltage and current ratings equal to or greater than those of the product rating label requirements.
- Plug the power cord into a grounded (earthed) outlet that is easily accessible. Do not disable the grounding pin.
- Make sure that all equipment, including power strips, is properly grounded.

**Failure to follow these instructions will result in death or serious injury.**

### Cable installation

Connect the target device (KVM switch or server) to the custom communication port on the back of the Rack LCD Console using one of the two custom communication cables (PS2 or USB) that are included. Plug the keyboard, monitor, and mouse connectors to the ports on the target device (KVM switch or server).

**NOTE:** The maximum distance between the Rack LCD Console and the target device (a KVM switch or server) is 10 m (32.8 feet).

### Power on the Rack LCD Console

1. Plug the power cord into the power socket on the Rack LCD Console and into an AC power outlet.
2. Turn the Rack LCD Console on. See “Power Switch” on page 6 for the location of the On/Off toggle switch at the back of the Rack LCD Console.

# Operation

## Basic Functions

**NOTE:** This product is not intended for the display of personal information.

### Open the Rack LCD Console

#### ⚠ CAUTION

##### HAZARDS RESULTING FROM MISUSE

- Never lean on the device.
- Slide rail mounted equipment is not to be used as a shelf or a work space. Do not set objects on the device.

**Failure to follow these instructions can result in injury or equipment damage.**

To access the console, slide the Rack LCD Console out of the rack and raise the cover.

### Close the Rack LCD Console

Close the cover and slide the Rack LCD Console into the rack.

### Power off and restart

Turn off the power to the Rack LCD using the rear panel power switch. See “Power Switch” on page 6 for the location of the On/Off switch.

To restart the Rack LCD turn the rear panel power switch back on.

### Standby mode

The Rack LCD will go into Standby mode to save energy when the cover is closed. The display will turn OFF when the cover reaches approximately 15 degrees from completely closed. Power will remain ON, but the monitor display will be OFF.

### Hot plugging

Components can be removed and added to the Rack LCD Console by unplugging their cables from the ports without the need to shut down the console.

## LCD OSD (On Screen Display) configuration

Button	Function
<b>MENU</b>	<ol style="list-style-type: none"> <li>Starting: Pressing the <b>MENU</b> button initiates the LCD OSD and brings up the Main menu.</li> <li>While the OSD user interface is in use, when a setting choice is reached, pressing the <b>MENU</b> button brings up the setting adjustment window.</li> </ol>
Right/Up Arrow Button	Clicking the Right/Up Arrow button moves the cursor Right or Up through the menus, or increases the value when making an adjustment.
Left/Down Arrow Button	Clicking the Left/Down Arrow button moves the cursor Left or Down through the menus, or decreases the value when making an adjustment.
<b>EXIT</b>	<ol style="list-style-type: none"> <li>If the LCD OSD user interface has not been started, pressing the <b>EXIT</b> button initiates an auto adjustment which reconfigures the settings to the display defaults.</li> <li>While the LCD OSD is in use, pressing the <b>EXIT</b> button will exit the current menu and return to the previous menu. To leave an adjustment menu, press the <b>EXIT</b> button when the adjustment is complete.</li> <li>From the <b>Main Menu</b> screen, pressing the <b>EXIT</b> button will exit the LCD OSD.</li> </ol>

## Monitor settings

Setting	Explanation
<b>Brightness</b>	Adjust the brightness level of the screen.
<b>Contrast</b>	Adjust level of color difference between foreground and background colors.
<b>Phase</b>	Adjust the phase setting of the screen so that no dark horizontal bands are visible.
<b>Clock</b>	Adjust the clock setting of the screen so that no dark vertical bands are visible.
<b>H-Position</b>	Moves the display area left or right.
<b>V-Position</b>	Moves the display area up or down.
<b>Color Hue</b>	Adjusts the color quality of the display. The <b>Adjust Color</b> selection has a submenu that allows fine tuning of RGB values.
<b>Language</b>	Select the language in which the OSD displays menus.
<b>OSD Duration</b>	Adjust the number of seconds before the On Screen Display shuts down due to inactivity.
<b>Reset</b>	Resets all menus (except language) and submenus to factory default settings.

**NOTE:** See “EXIT” on page 10 for information on setting the auto-adjust feature.

## USB Peripheral Devices

The front panel USB port is available to connect a USB peripheral device (flash drive, CD-ROM drive, mouse, etc.) to the target device (KVM switch or server) using the pass-through USB port on the back of the Rack LCD Console.

The front panel USB port will recognize a USB peripheral device when it is inserted. If a mouse is subsequently used in that port, use the hotkey combination Ctrl + Enter to reset the port so it will recognize the mouse.

# Firmware Upgrade Mode

Check [www.apc.com](http://www.apc.com) regularly to find the latest information and firmware upgrade packages.

**NOTE:** Do not connect the RJ-11 port marked “Upgrade” to a public telecommunication network.

## Start the upgrade

To download the firmware upgrade package:

1. Turn off the power to the Rack LCD Console.
2. Slide the **Firmware Upgrade** switch to **RECOVER**.
3. Turn on the power to the Rack LCD Console.  
**NOTE:** When the Rack LCD Console is in Firmware Upgrade Mode, the **Num Lock**, **Caps Lock** and **Scroll Lock** LEDs will flash on and off repeatedly.
4. Connect the Firmware Upgrade Cable (provided) to a COM port on a computer that is not part of your installation and to the Firmware Upgrade Port of the Rack LCD Console. From your computer, go to [www.apc.com](http://www.apc.com) and enter the model name of your Rack LCD Console for a list of available firmware upgrade packages.
5. Run the download from your computer by double clicking the file icon, or by opening a command line and entering the full path and filename.
6. The Firmware Upgrade Utility Welcome screen will appear.
7. Read and agree to the License Agreement by clicking the **I Agree** button.
8. The Firmware Upgrade Utility main screen will appear. The Utility inspects your installation. All devices capable of being upgraded by the package are listed in the **Device List** panel.
9. Click **Next** to perform the upgrade.  
If you checked the **Check Firmware Version** box in the Firmware Upgrade Utility main screen, the Utility will compare the device’s firmware level with that of the upgrade files. If it finds that the device’s version is higher than the upgrade version, a dialog box will open to inform you and give you the option of continuing the upgrade or quitting. If you did not check the **Check Firmware Version** box, the Utility installs the upgrade files without checking if they are a higher level or not.
10. Status messages appear in the **Status Message** panel and progress toward completion is shown on the Progress bar.

## Upgrade succeeded

After the upgrade has completed, an **UPGRADE SUCCEEDED** screen appears to inform you that the procedure was successful. Click **Finish** to close the firmware upgrade utility.

## Upgrade failed

The **UPGRADE FAILED** screen appears if the upgrade fails to complete successfully.

## Exit firmware upgrade mode

1. Slide the **Firmware Upgrade** Switch to the **Normal** position.
2. Remove the Firmware Upgrade cable from the Firmware Upgrade Port of the Rack LCD Console.
3. Turn the power to the Rack LCD Console OFF and then turn the power ON.

## Firmware upgrade recovery

There are three conditions that call for firmware upgrade recovery:

- If the firmware of the Rack LCD Console becomes corrupted and is unable to operate.
- When a firmware upgrade is interrupted.
- When a firmware upgrade fails.

To perform a firmware upgrade recovery:

1. Shut off power to the Rack LCD Console. Disconnect the Rack LCD Console from the target device.
2. Connect the Firmware Upgrade Cable to the Firmware Upgrade Port and to a COM port of a computer not connected to your installation.
3. Slide the **Firmware Upgrade** Switch to the **Recovery** position. See “FW UPGRADE NORMAL / RECOVERY” on page 5 for the switch location.
4. Apply power to the Rack LCD Console and repeat the upgrade procedure. See “Start the upgrade” on page 11 for more information.
5. Once the upgrade is successful, shut off power to the Rack LCD Console. Disconnect the Firmware Recovery Cable from your computer. Slide the **Firmware Upgrade** Switch to the **Normal** position. See “FW UPGRADE NORMAL / RECOVERY” on page 5 for more information.
6. Turn the power On to the Rack LCD Console.
7. Reconnect the Rack LCD Console to the target device.



# Troubleshooting

Symptom	Action
There are ghost images on the external monitor	The distance between the external console and the Rack LCD is too great. The maximum VGA cable distance should not exceed 20 m (65.6 ft) and in some cases may need to be shorter. Replace the VGA cable with one of an appropriately short length.
Some characters entered from the keyboard do not display correctly.	The keyboard layout setting for the port does not match the keyboard you are using. On your switch, change the keyboard layout setting for the port to match the layout of the keyboard you are using.
No power or no response from the target device (KVM switch or server)	Check that all cables are securely attached in their sockets.
Erratic behavior	Update the firmware. See "Firmware Upgrade Mode" on page 11 for more information.

# Specifications

Function		AP5717, CH, F, G, J, R, UK	AP5719	
Server Connections		1		
Connectors	Communication ports	1 x SPHD-18 (Female) Yellow		
	External mouse	1 x USB Type A (Female) Black		
	Firmware upgrade port	1 x RJ-11		
	Power	1 x 3-prong AC socket		
	USB 1.1 hub	1 x USB Type-A (Female)		
	USB 1.1 pass through	1 x USB Type-B (Female)		
Switches	<b>Reset</b>	1 x semi-recessed pushbutton		
	<b>Power</b>	1 x rocker switch		
	<b>Firmware upgrade</b>	1 x switch		
	LCD adjust	4 x pushbutton		
	LCD on/off power	1 x LED pushbutton (orange)		
LEDs	LCD on/off power	1 (orange)		
	Power	1 (blue)		
	<b>Num lock</b>	1 (Green)		
	<b>Caps lock</b>	1 (Green)		
	<b>Scroll lock</b>	1 (Green)		
Emulation	Keyboard/mouse	PS/2, USB		
Video	Maximum Resolution	1280 x 1024 @ 75 Hz, DDC2B		
		1280 x 1024 @ 60 Hz		
		1024 x 768 @ 75 Hz		
		1024 x 768 @ 70 Hz		
		1024 x 768 @ 65 Hz		
		800 x 600 @ 75 Hz		
		800 x 600 @ 72 Hz		
		800 x 600 @ 60 Hz		
		720 x 400 @ 60 Hz		
		640 x 480 @ 75 Hz		
		640 x 480 @ 72 Hz		
		Minimum Resolution	640 x 480 @ 60 Hz	
	I/P rating		100 - 240 VAC, 50/60 Hz, 1 A	
Power consumption		18.5W		

Environment	Operating temperature	32°F - 104°F (0 - 40°C)	
	Storage temperature	-4°F - 140°F (-20°C to 60°C)	
	Humidity	0 - 80% RH, Noncondensing	
Physical Properties	Housing	Metal and plastic	
	Weight	15.90 kg	17.40 kg
	Dimensions (L x W x H)	61.40 x 48.20 x 4.40 cm	66.50 x 48.20 x 4.40 cm

# Warranty

## Two-Year Factory Warranty

This warranty applies only to the products you purchase for your use in accordance with this manual.

### Terms of warranty

Schneider Electric warrants its products to be free from defects in materials and workmanship for a period of two years from the date of purchase. Schneider Electric will repair or replace defective products covered by this warranty. This warranty does not apply to equipment that has been damaged by accident, negligence or misapplication or has been altered or modified in any way. Repair or replacement of a defective product or part thereof does not extend the original warranty period. Any parts furnished under this warranty may be new or factory-remanufactured.

### Non-transferable warranty

This warranty extends only to the original purchaser who must have properly registered the product. The product may be registered at the Schneider Electric Web site, [www.apc.com](http://www.apc.com).

### Exclusions

Schneider Electric shall not be liable under the warranty if its testing and examination disclose that the alleged defect in the product does not exist or was caused by end user's or any third person's misuse, negligence, improper installation or testing. Further, Schneider Electric shall not be liable under the warranty for unauthorized attempts to repair or modify wrong or inadequate electrical voltage or connection, inappropriate on-site operation conditions, corrosive atmosphere, repair, installation, exposure to the elements, Acts of God, fire, theft, or installation contrary to Schneider Electric recommendations or specifications or in any event if the Schneider Electric serial number has been altered, defaced, or removed, or any other cause beyond the range of the intended use.

**THERE ARE NO WARRANTIES, EXPRESS OR IMPLIED, BY OPERATION OF LAW OR OTHERWISE, OF PRODUCTS SOLD, SERVICED OR FURNISHED UNDER THIS AGREEMENT OR IN CONNECTION HERewith. SCHNEIDER ELECTRIC DISCLAIMS ALL IMPLIED WARRANTIES OF MERCHANTABILITY, SATISFACTION AND FITNESS FOR A PARTICULAR PURPOSE. SCHNEIDER ELECTRIC EXPRESS WARRANTIES WILL NOT BE ENLARGED, DIMINISHED, OR AFFECTED BY AND NO OBLIGATION OR LIABILITY WILL ARISE OUT OF, SCHNEIDER ELECTRIC RENDERING OF TECHNICAL OR OTHER ADVICE OR SERVICE IN CONNECTION WITH THE PRODUCTS. THE FOREGOING WARRANTIES AND REMEDIES ARE EXCLUSIVE AND IN LIEU OF ALL OTHER WARRANTIES AND REMEDIES. THE WARRANTIES SET FORTH ABOVE CONSTITUTE SCHNEIDER ELECTRIC'S SOLE LIABILITY AND PURCHASER'S EXCLUSIVE REMEDY FOR ANY BREACH OF SUCH WARRANTIES. SCHNEIDER ELECTRIC WARRANTIES EXTEND ONLY TO PURCHASER AND ARE NOT EXTENDED TO ANY THIRD PARTIES.**

**IN NO EVENT SHALL SCHNEIDER ELECTRIC, ITS OFFICERS, DIRECTORS, AFFILIATES OR EMPLOYEES BE LIABLE FOR ANY FORM OF INDIRECT, SPECIAL, CONSEQUENTIAL OR PUNITIVE DAMAGES, ARISING OUT OF THE USE, SERVICE OR INSTALLATION, OF THE PRODUCTS, WHETHER SUCH DAMAGES ARISE IN CONTRACT OR TORT, IRRESPECTIVE OF FAULT, NEGLIGENCE OR STRICT LIABILITY OR WHETHER SCHNEIDER ELECTRIC HAS BEEN ADVISED IN ADVANCE OF THE POSSIBILITY OF SUCH DAMAGES. SPECIFICALLY, SCHNEIDER ELECTRIC IS NOT LIABLE FOR ANY COSTS, SUCH AS LOST PROFITS OR REVENUE, LOSS OF EQUIPMENT, LOSS OF USE OF EQUIPMENT, LOSS OF SOFTWARE, LOSS OF DATA, COSTS OF SUBSTITUENTS, CLAIMS BY THIRD PARTIES, OR OTHERWISE.**

---

**NO SALESMAN, EMPLOYEE OR AGENT OF SCHNEIDER ELECTRIC IS AUTHORIZED TO ADD TO OR VARY THE TERMS OF THIS WARRANTY. WARRANTY TERMS MAY BE MODIFIED, IF AT ALL, ONLY IN WRITING SIGNED BY AN SCHNEIDER ELECTRIC OFFICER AND LEGAL DEPARTMENT.**

### Warranty claims

Customers with warranty claims issues may access the Schneider Electric customer support network through the Support page of the Schneider Electric Web site, [www.apc.com/support](http://www.apc.com/support). Select your country from the country selection pull-down menu at the top of the Web page. Select the Support tab to obtain contact information for customer support in your region.

# Radio Frequency Interference

Changes or modifications to this unit not expressly approved by the party responsible for compliance could void the user's authority to operate this equipment.

## USA — FCC

This equipment has been tested and found to comply with the limits for a class A digital device, pursuant to part 15 of the FCC Rules. These limits are designed to provide reasonable protection against harmful interference when the equipment is operated in a commercial environment. This equipment generates, uses, and can radiate radio frequency energy and, if not installed and used in accordance with the installation guide, may cause harmful interference to radio communications. Operation of this equipment in a residential area is likely to cause harmful interference, in which case the user will be required to correct the interference at his own expense.

## Canada — ICES

This Class A digital apparatus complies with Canadian ICES-003.

Cet appareil numérique de la classe A est conforme à la norme NMB-003 du Canada.

## Japan — VCCI

This device is a Class A device. Using this device in a home environment may cause radio wave interference. In this case, the user may be required to take appropriate measures.

この装置は、クラスA装置です。この装置を家庭環境で使用すると電波妨害を引き起こすことがあります。この場合には使用者が適切な対策を講ずるよう要求されることがあります。

VCCI-A

## Taiwan—BSMI

警告使用者：  
這是甲類的資訊產品，在居住的環境中使用時，可能會造成射頻干擾，在這種情況下，使用者會被要求採取某些適當的對策。

## Australia and New Zealand

**Attention:** This is a Class A product. In a domestic environment this product may cause radio interference in which case the user may be required to take adequate measures.

## European Union

This product is in conformity with Electromagnetic Compatibility (EMC) requirements set forth by the EU directive 2014/30/EU of the European parliament and of the council of 26 February 2014 on the harmonization of the laws of the Member States relating to electromagnetic compatibility.

This Product has been tested and found to comply with the limits for Class A Information Technology Equipment according to CISPR 32/EN55032:2015/A11: 2020 for Emissions and EN 55035:2017/A11:2020 for Immunities

**Attention:** This is a Class A product. In a domestic/residential environment this product may cause radio interference in which the user may be required to take adequate measures.

## United Kingdom

This product is in conformity with Electromagnetic Compatibility Regulations 2016 of the UK Legislation as applied to products being supplied in or into Great Britain from 1 January 2021.

This product has been tested and found to comply with the limits for Class A Information Technology Equipment according to CISPR 32/BS EN 55032:2015 for Emissions and BS EN 55035:2017/A11:2020 for Immunities.

**Attention:** This is a Class A product. In a domestic/residential environment this product may cause radio interference in which the user may be required to take adequate measures.

## Korean 한국

A급 기기(업무용 방송통신기기).이 기기는 업무용(A급)으로 전자파적합등록을 한 기기이오니 판매자 또는 사용자는 이 점을 주의하시기 바라며, 가정외의지역에서 사용하는 것을 목적으로 합니다.

# Worldwide Customer Support

Customer support for this product is available at [www.apc.com](http://www.apc.com).



APC

70 Mechanic Street  
Foxboro, MA 02035  
USA

[www.apc.com](http://www.apc.com)

As standards, specifications, and designs change from time to time,  
please ask for confirmation of the information given in this publication.

© 2020–2023 Schneider Electric. APC and the APC logo are trade-  
marks of Schneider Electric SE or its subsidiaries. All other brands may  
be trademarks of their respective owners.

990-3863G-001