




# Leak Sensor—AP9326

## Components

Leak sensor 6.1 m (20 ft)	Grommet	Cable Tie
		
(1)	(18)	(18)

## Installation

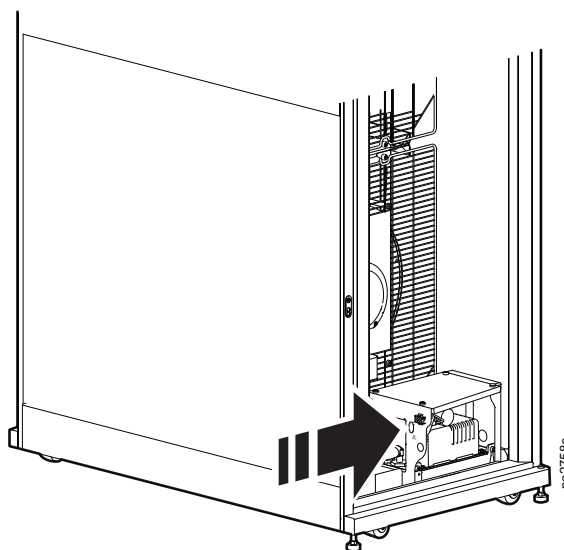
1. Connect the leak sensor to the equipment using the plug, located as shown.

### **NOTICE**

#### **EQUIPMENT DAMAGE**

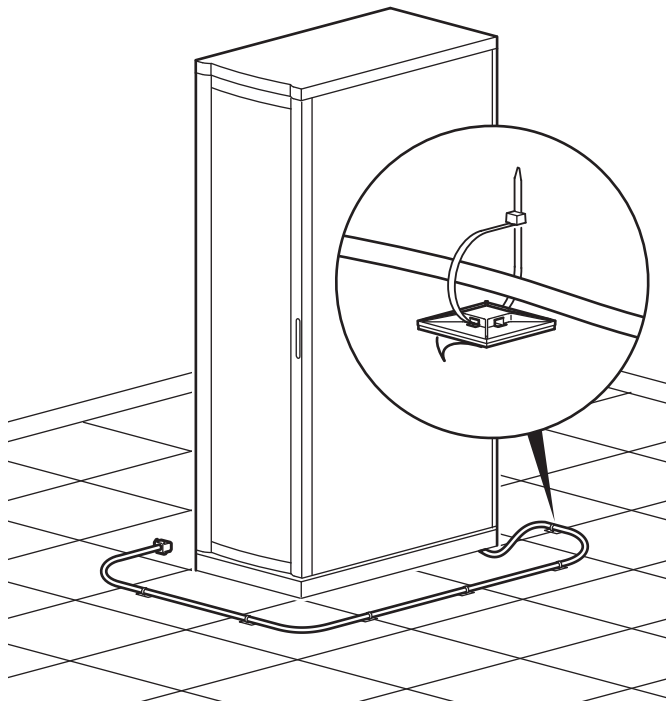
Do not connect the leak sensor to anything other than the Environmental Management System; doing so could damage the sensor.

**Failure to follow these instructions can result in equipment damage.**



1. Position the leak sensor inside or outside the unit.  
**NOTE:** Always install leak sensors on a clean surface; do not allow them to touch metal that is in an air stream.

2. Route the leak sensor to the outside of the unit through either the bottom plate or the door.
3. Secure the leak sensor cable to surfaces using the cable ties and grommets.



Customer support and warranty information is available at the Schneider Electric Web site,  
[www.schneider-electric.com](http://www.schneider-electric.com).

As standards, specifications, and designs change from time to time, please ask for confirmation of the information given in this publication.  
All trademarks owned by Schneider Electric Industries SAS or its affiliated companies.

990-1473A  
10/2014