

L-Box Wallmount Cabinet 6U

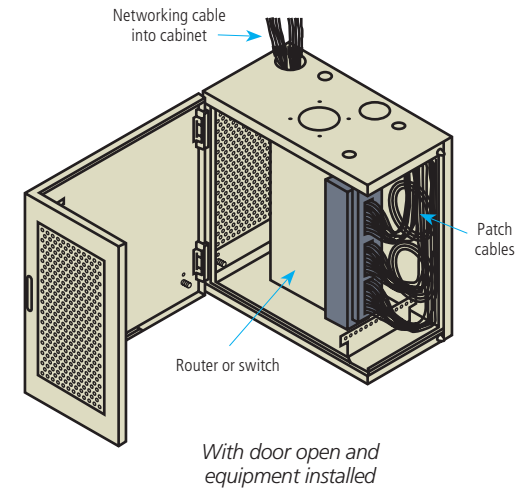
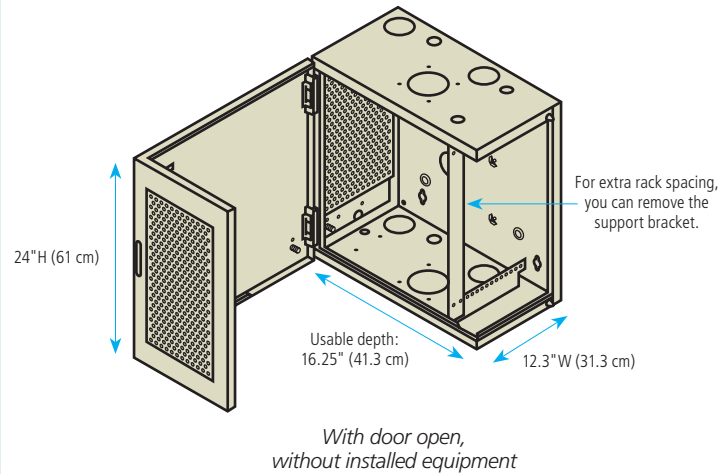
**Save on space without
sacrificing on access.**



FEATURES

- » Offers unique access in high-density applications.
- » Hinged, L-shaped door provides full access to installed equipment.
- » Weight capacity of 75 pounds.
- » 6U high.
- » 10-32 tapped rails.
- » Spring-loaded, self-retained hinge pins for door removal.
- » 120-degree door opening.
- » Quarter-turn latches with key lock.
- » Guaranteed for life!
- » Knockouts for 4-inch fan on top and bottom of enclosure.
- » Two 3-inch knockouts on back for cables.
- » Multiple cable tie-down points on back of enclosure.
- » Includes (20) 10-32 mounting screws.
- » Includes (1) set of 10-32 tapped rails (6U).

The diagrams below show the inside of the L-Box Wallmount Cabinet.



OVERVIEW

The L-Box Wallmount Cabinet combines a low profile with convenient mounting and access. Protect your network equipment, patch panels, and connections with this convenient and versatile cabinet. The L-Box meets a variety of equipment mounting, storage, and protection needs, such as horizontal cable distribution, copper-to-fiber interface, cross connections, and consolidation point.

TECH SPECS

Construction — 14-gauge mild steel
Finish — Phosphatized steel coated with RAL 7035 light-gray textured, low-gloss polyester powder paint
Standards — UL® 1863, UL 508A, cUL CSA 22.2, UL 60950, BICSI TDMM Tenth edition, Chapter 7, Telecommunications Enclosures (TE), EIA 310-D, IEC 60529, IP40
Usable Rackmount Height — 5U with support bracket installed; 6U with support bracket removed
Usable Rackmount Depth — 16.25" (41.3 cm)
Size — 24"H x 12.3"W x 24"D (61 x 31.3 x 61 cm)
Weight Capacity — 75 lb. (34.1 kg)
Weight — 52 lb. (23.6 kg)

Buyer's Guide |

Exterior Height	24"
Exterior Width	13"
Exterior Depth	24"
Rack Units	6U
Interior Height	18.5"
Interior Width	16.28"
Interior Depth	18.5"
Weight	50 lb.

What's included

- ◆ Wallmount L-Style Cabinet
- ◆ (2) keys
- ◆ (20) 10-32 mounting screws
- ◆ User's manual

Item

L-Box Wallmount Cabinet

Code

RM545AL